

No. 4789. AGREEMENT CONCERNING THE ADOPTION OF UNIFORM CONDITIONS OF APPROVAL AND RECIPROCAL RECOGNITION OF APPROVAL FOR MOTOR VEHICLE EQUIPMENT AND PARTS. DONE AT GENEVA ON 20 MARCH 1958¹

ENTRY INTO FORCE of Regulation No. 26 (Uniform provisions concerning the approval of vehicles with regard to their external projections) as an annex to the above-mentioned Agreement.

The said Regulation came into force on 1 July 1972 in respect of Belgium, France and Sweden, in accordance with article 1(5), of the Agreement.

*Authentic texts of the Regulation : English and French.
Registered ex officio on 1 July 1972.*

1. SCOPE AND PURPOSE

- 1.1. This Regulation applies to external projections of passenger cars. It does not apply to exterior rear view mirrors or to accessories such as radio aerials and luggage racks.
- 1.2. The purpose of this Regulation is to reduce the risk or seriousness of bodily injury to a person hit by the bodywork or brushing against it in the event of a collision.

2. DEFINITIONS

For the purposes of this Regulation :

- 2.1. “ *Approval of a vehicle* ” means the approval of a vehicle type with regard to its external projections;
- 2.2. “ *Vehicle type* ” means a category of motor vehicles which do not differ in such essential respects, as shape or materials of the external surface;
- 2.3. “ *External surface* ” means the structural unit constituting the outside of the vehicle and including the bonnet, the lid of the luggage compartment, the doors, the wings, and the visible strengthening components;
- 2.4. “ *Floor line* ” means the line determined as follows :
Successively position round a vehicle a cone with a vertical axis and with a half angle of 30° in such a way that it contacts, constantly and as low as possible, the external surface of the bodywork. The floor line is the geometric trace of these points of contact. In determining the floor line neither the jacking points, exhaust pipes or wheels will be taken into consideration. The gaps of the wheel arches are assumed to be filled in by an imaginary surface forming a smooth continuation of the surrounding external surface;

¹ United Nations, *Treaty Series*, vol. 335, p. 211; for subsequent actions, see references in Cumulative Indexes Nos. 4 to 9, as well as annex A in volumes 652, 656, 659, 667, 669, 672, 673, 680, 683, 686, 696, 723, 730, 740, 752, 754, 756, 759, 764, 768, 771, 772, 774, 777, 778, 779, 787, 788, 797, 801, 802, 808, 811, 814, 815, 818, 820, 825 and 826.

2.5. “*Radius of curvature*” means the approximate extent of the round as distinct from a precise geometrical form.

3. APPLICATION FOR APPROVAL

3.1. The application for approval of a vehicle type with regard to its external projections shall be submitted by the vehicle manufacturer or by his duly accredited representative.

3.2. It shall be accompanied by the following documents in triplicate :

3.2.1. Photographs of the front, rear and side parts of the vehicle ;

3.2.2. Drawings, with dimensions, of the bumpers and, where appropriate,

3.2.3. Drawings of certain external projections and if applicable drawings of certain sections of the external surface referred to in 6.9.1.

3.3. The following shall be submitted to the technical service responsible for conducting the approval tests :

3.3.1. Either a vehicle representative of the vehicle type to be approved or the part or parts of the vehicle regarded as essential for the checks and tests prescribed by this Regulation ;

3.3.2. At the request of the aforesaid technical service, certain components and certain samples of the materials used.

4. APPROVAL

4.1. If the vehicle type submitted for approval pursuant to this Regulation meets the requirements of paragraphs 5 and 6 below, approval of that vehicle type shall be granted.

4.2. An approval number shall be assigned to each type approved. The same Contracting Party may not assign the same number to the same vehicle type equipped with other types of external projections or to another vehicle type.

4.3. Notice of approval or of refusal of approval of a vehicle type pursuant to this Regulation shall be communicated to the Parties to the Agreement applying this Regulation by means of a form conforming to the model in annex 1 of this Regulation and of drawings, with dimensions, and photographs as referred to in paragraphs 3.2.1 to 3.2.3 above (supplied by the applicant for approval) in a format not exceeding A 4 (210 × 297 mm), or folded to this format, and on an appropriate scale.

4.4. There shall be affixed, conspicuously and in a readily accessible place specified on the approval form, to every vehicle conforming to a vehicle type approved under this Regulation, an international approval mark consisting of :

4.4.1. A circle surrounding the letter “ E ” followed by the distinguishing number of the country which has granted approval.*

* 1 for the Federal Republic of Germany, 2 for France, 3 for Italy, 4 for the Netherlands, 5 for Sweden, 6 for Belgium, 7 for Hungary, 8 for Czechoslovakia, 9 for Spain, 10 for Yugoslavia, 11 for the United Kingdom, 12 for Austria and 13 for Luxembourg; subsequent numbers shall be assigned to other countries in the chronological order in which they ratify the Agreement concerning the Adoption of Uniform Conditions of Approval and Reciprocal Recognition of Approval for Motor Vehicle Equipment and Parts, or in which they accede to that Agreement, and the numbers thus assigned shall be communicated by the Secretary-General of the United Nations to the Contracting Parties to the Agreement.

- 4.4.2. The number of this Regulation, followed by the letter " R ", a dash and the approval number below the circle.
- 4.5. The approval mark shall be clearly legible and be indelible.
- 4.6. Annex 2 to this Regulation gives an example of the arrangement of the approval mark.

5. GENERAL SPECIFICATIONS

- 5.1. The provisions of this Regulation shall not apply to those parts of the external surface which, with the vehicle in the laden condition, with all doors, windows and access lids etc., in the closed position, are either :
 - 5.1.1. at a height of more than 2 metres, or
 - 5.1.2. below the floor line, or
 - 5.1.3. located so that, in static conditions, they cannot be contracted by a sphere 100 mm in diameter.
- 5.2. The external surface of vehicles shall not exhibit, directed outwards, any pointed or sharp parts or any projections of such shape, dimensions, direction or hardness as to be likely to increase the risk or seriousness of bodily injury to a person hit by the external surface or brushing against it in the event of a collision.
- 5.3. The external surface of vehicles shall not exhibit, directed outwards, any parts likely to catch on pedestrians, cyclists or motor cyclists.
- 5.4. Subject to the provisions of paragraphs 5.5, 6.1.3, 6.3, 6.4.2, 6.7.1, 6.8.1, 6.10, below, no protruding part of the external surface shall have a radius of curvature less than 2.5 mm.
- 5.5. Protruding parts of the external surface, made of a material of hardness not exceeding 60 shore A, may have a radius of curvature less than 2.5 mm.

6. PARTICULAR SPECIFICATIONS

6.1. *Ornaments*

- 6.1.1. Added ornaments which project more than 10 mm from their support shall retract, become detached or bend over under a force of 10 daN exerted at their most salient point in any direction in a plane approximately parallel to the surface on which they are mounted. These provisions shall not apply to ornaments on radiator grilles, to which only the general requirements of paragraph 5 shall apply.
- 6.1.2. Protective strips or shielding on the external surface shall not be subject to the requirements of paragraph 6.1.1 above; however, they shall be firmly secured to the vehicle.
- 6.1.3. If the added ornaments are less than 5 mm thick, the requirement of a 2.5 mm minimum radius of curvature shall not apply, but the outward facing angles of such ornaments shall be blunted.

6.2. *Headlights*

- 6.2.1. Projecting visors and rims shall be permitted on headlights, provided that their projection, as measured in relation to the external transparent surface

of the headlight does not exceed 30 mm and their radius of curvature is at least 2.5 mm throughout.

- 6.2.2. Retracting headlights shall meet the provisions of paragraph 6.2.1 above in both the operative and retracted positions.

6.3. *Grilles and gaps*

- 6.3.1. The requirements of paragraph 5.4 shall not apply to gaps between fixed or movable elements including those forming part of air intake or outlet grilles and radiator grilles, provided that the distance between consecutive elements does not exceed 40 mm. For gaps of between 40 mm and 25 mm the radii of curvature shall be of 1 mm or more. However, if the distance between two consecutive elements is equal to or less than 25 mm, the radii of curvature of external faces of the elements shall not be less than 0.5 mm.

- 6.3.2. The junction of the front with the side faces of each element forming a grille or gap shall be blunted.

6.4. *Windscreen wipers*

- 6.4.1. The windscreen-wiper fittings shall be such that the wiper shaft is furnished with a protective casing which has a radius of curvature meeting the requirements of paragraph 5.4 above and a surface of not less than 150 mm².
- 6.4.2. Paragraph 5.4 shall not apply to the wiper blades or to any supporting members. However, those units shall be so made as to have no sharp angles or pointed or cutting parts of a non-functional nature.

6.5. *Bumpers*

- 6.5.1. The ends of the bumpers shall be turned in towards the external surface in order to reduce the risk of fouling.
- 6.5.2. The components of the bumper shall be so designed that all rigid surfaces facing outwards have a minimum radius of curvature of 5 mm.

6.6. *Handles, hinges and push-buttons of doors, luggage compartments and flaps; tank openings and covers*

- 6.6.1. The projection shall not exceed 40 mm in the case of lateral door handles and 30 mm in all other cases.
- 6.6.2. If lateral door handles turn to operate, they shall meet the following requirements :
- 6.6.2.1. The open end of the handle must be directed towards the rear and the handle so arranged that it turns parallel to the plane of the door and does not pivot outwards;
- 6.6.2.2. The end of the handle must be turned back towards the door and fitted into a recess.

6.7. *Wheel nuts, hub caps and wheel discs*

- 6.7.1. The requirements of paragraph 5.4 shall not apply.
- 6.7.2. The wheel nuts, hub caps and wheel discs shall not exhibit any fin-shaped projections.

6.7.3. When the vehicle is travelling in a straight line, no part of the wheels other than the tyres, situated above the horizontal plane passing through their axis of rotation shall project beyond the vertical projection, in a horizontal plane, of the external surface or structure. However, if functional requirements so warrant, wheel discs which cover wheel and hub nuts may project beyond the vertical projection of the external surface or structure on condition that the radius of curvature of the surface of the projecting part is not less than 30 mm and that the projection beyond the vertical projection of the external surface or structure in no case exceeds 30 mm.

6.8. *Sheet-metal edges*

6.8.1. Sheet-metal edges, such as gutter edges and the rails of sliding doors, shall not be permitted unless they are folded back or are fitted with a shield meeting the requirements of this Regulation which are applicable to it.

6.9. *Body panels*

6.9.1. Folds in body panels may have a radius of curvature of less than 2.5 mm, provided that it is not less than one-tenth of the height " H " of the projection, measured in accordance with the method described in annex 3.

6.10. *Lateral air or rain deflectors*

6.10.1. Lateral deflectors shall have a radius of curvature of at least 1 mm on edges capable of being directed outwards.

6.11. *Jacking brackets*

6.11.1. The jacking bracket shall not project more than a distance of 10 mm beyond the vertical projection of the floor line lying directly above it.

7. MODIFICATION OF THE VEHICLE TYPE

7.1. The administrative department which has granted approval of the vehicle type shall be notified of any modification of the vehicle type. That department may then :

7.1.1. Either consider that the modifications made are unlikely to have an appreciable adverse effect;

7.1.2. Or require a further report from the technical service conducting tests.

7.2. Confirmation of approval, with a description of the modifications, or refusal of approval shall be communicated by the procedure laid down in paragraph 4.3. above to the Parties to the Agreement applying this Regulation.

8. CONFORMITY OF PRODUCTION

8.1. Every vehicle bearing an approval mark as prescribed under this Regulation shall conform, with regard to its external projections, to the vehicle type approved.

8.2. In order to verify conformity as prescribed in paragraph 8.1 above, a sufficient number of random checks shall be performed on serially produced vehicles bearing the approval mark required by this Regulation.

9. PENALTIES FOR NON-CONFORMITY OF PRODUCTION

- 9.1. The approval granted in respect of a vehicle type pursuant to this Regulation may be withdrawn if the requirement laid down in paragraph 8.1 above is not complied with.
- 9.2. If a Party to the Agreement applying this Regulation withdraws an approval it has previously granted, it shall forthwith notify the other Contracting Parties applying this Regulation thereof by means of a copy of the approval form bearing at the end, in large letters, the signed and dated annotation " APPROVAL WITHDRAWN ".

10. NAMES AND ADDRESSES OF TECHNICAL SERVICES CONDUCTING APPROVAL TESTS, AND OF ADMINISTRATIVE DEPARTMENTS

The Parties to the Agreement applying this Regulation shall communicate to the United Nations Secretariat the names and addresses of the technical services conducting approval tests and of the administrative departments which grant approval and to which forms certifying approval or refusal or withdrawal of approval, issued in other countries, are to be sent.

ANNEX 1

(Maximum format : A 4 (210 × 297 mm))



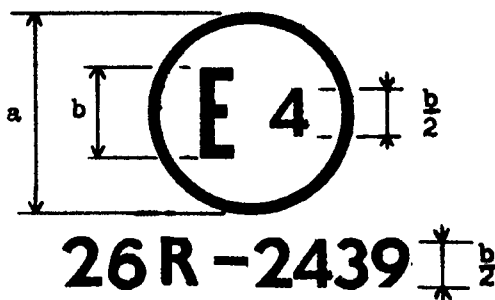
NAME OF
ADMINISTRATION

*Communication concerning the approval
(or refusal or withdrawal of approval)
of a vehicle type with regard to its external
projections, pursuant to Regulation No. 26*

- Approval No
- 1. Trade name or mark of the vehicle
- 2. Vehicle type
- 3. Manufacturer's name and address
- 4. If applicable, name and address of manufacturer's representative
- 5. Vehicle submitted for approval on
- 6. Technical service conducting approval tests

7. Date of report issued by that service
8. Number of report issued by that service
9. Approval granted/refused*
10. Position of approval mark on the vehicle
11. Place
12. Date
13. Signature
14. The following documents, bearing the approval number shown above, are annexed to this communication
 - ... photographs of the front, rear and side parts of the vehicle;
 - ... drawings, with dimensions, of the bumpers and, where appropriate,
 - ... drawings of certain external projections.

ANNEX 2
ARRANGEMENT OF THE APPROVAL MARK



	a	b
Minimum dimensions	12	5.6
(millimetres)		

The above approval mark affixed to a vehicle shows that, pursuant to Regulation No. 26, the vehicle type concerned has, with regard to external projections, been approved in the Netherlands (E4) under approval No. 2439.

* Strike out what does not apply.

ANNEX 3

METHOD FOR DETERMINING THE HEIGHT OF EXTERNAL
SURFACE PROJECTIONS

1. The height H of a projection is determined graphically by reference to the circumference of a 165 mm diameter circle, internally tangential to the external outline of the external surface at the section to be checked.
2. H is the maximum value of the distance, measured along a straight line passing through the centre of the 165 mm diameter circle, between the circumference of the aforesaid circle and the external contour of the projection (see Fig. 1).
3. In cases where it is not possible for a 100 mm diameter circle to contact externally part of the external outline of the external surface at the section under consideration, the surface outline in this area will be assumed to be that formed by the circumference of the 100 mm diameter circle between its tangent points with the external outline (see Fig. 2).
4. Drawings of the necessary sections through the external surface shall be provided by the manufacturer to allow the height of the projections referred to above to be measured.

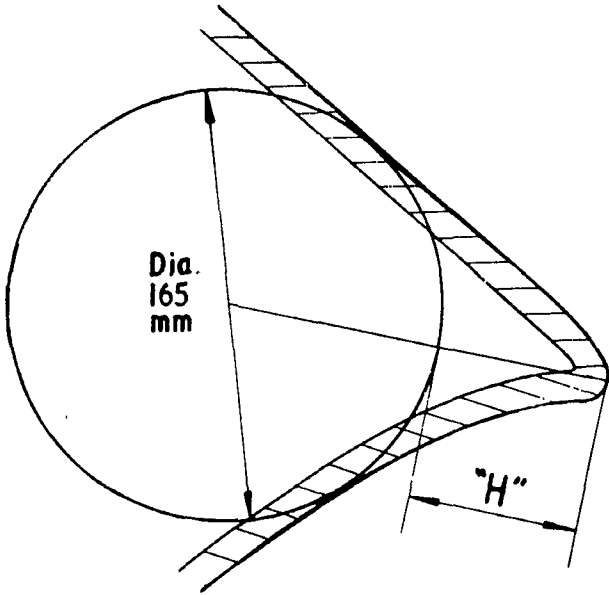


Fig. 1.

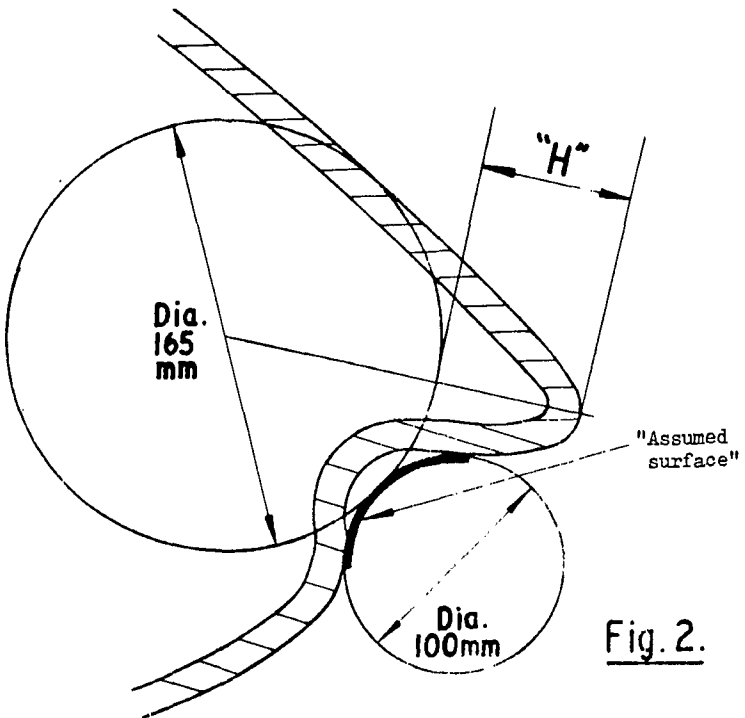


Fig. 2.