

No. 4789. Multilateral

AGREEMENT CONCERNING THE ADOPTION OF HARMONIZED TECHNICAL UNITED NATIONS REGULATIONS FOR WHEELED VEHICLES, EQUIPMENT AND PARTS WHICH CAN BE FITTED AND/OR BE USED ON WHEELED VEHICLES AND THE CONDITIONS FOR RECIPROCAL RECOGNITION OF APPROVALS GRANTED ON THE BASIS OF THESE UNITED NATIONS REGULATIONS. GENEVA, 20 MARCH 1958 [*United Nations, Treaty Series, vol. 335, I-4789.*]

UNITED NATIONS REGULATION NO. 158. UNIFORM PROVISIONS CONCERNING THE APPROVAL OF DEVICES FOR REVERSING MOTION AND MOTOR VEHICLES WITH REGARD TO THE DRIVER'S AWARENESS OF VULNERABLE ROAD USERS BEHIND VEHICLES. GENEVA, 12 NOVEMBER 2020*

Entry into force: 10 June 2021, in accordance with article 1(4)

Authentic texts: English, French and Russian

Registration with the Secretariat of the United Nations: ex officio, 10 June 2021

*No UNTS volume number has yet been determined for this record. The Text(s) reproduced below, if attached, are the authentic texts of the agreement /action attachment as submitted for registration and publication to the Secretariat. For ease of reference they were sequentially paginated. Translations, if attached, are not final and are provided for information only.

N° 4789. Multilatéral

ACCORD CONCERNANT L'ADOPTION DE RÈGLEMENTS TECHNIQUES HARMONISÉS DE L'ONU APPLICABLES AUX VÉHICULES À ROUES ET AUX ÉQUIPEMENTS ET PIÈCES SUSCEPTIBLES D'ÊTRE MONTÉS OU UTILISÉS SUR LES VÉHICULES À ROUES ET LES CONDITIONS DE RECONNAISSANCE RÉCIPROQUE DES HOMOLOGATIONS DÉLIVRÉES CONFORMÉMENT À CES RÈGLEMENTS. GENÈVE, 20 MARS 1958 [*Nations Unies, Recueil des Traités, vol. 335, I-4789.*]

RÈGLEMENT DE L'ONU N° 158. PRESCRIPTIONS UNIFORMES RELATIVES À L'HOMOLOGATION DES DISPOSITIFS D'AIDE À LA VISION LORS DES MANŒUVRES EN MARCHE ARRIÈRE ET DES VÉHICULES À MOTEUR EN CE QUI CONCERNE LA DÉTECTION PAR LE CONDUCTEUR D'USAGERS DE LA ROUTE VULNÉRABLES DERRIÈRE LE VÉHICULE. GENÈVE, 12 NOVEMBRE 2020*

Entrée en vigueur : 10 juin 2021, conformément au paragraphe 4 de l'article 1

Textes authentiques : anglais, français et russe

Enregistrement auprès du Secrétariat de l'Organisation des Nations Unies : d'office, 10 juin 2021

*Aucun numéro de volume n'a encore été attribué à ce dossier. Les textes disponibles qui sont reproduits ci-dessous sont les textes originaux de l'accord ou de l'action tels que soumis pour enregistrement. Par souci de clarté, leurs pages ont été numérotées. Les traductions qui accompagnent ces textes ne sont pas définitives et sont fournies uniquement à titre d'information.

[ENGLISH TEXT – TEXTE ANGLAIS]

United Nations

ECE/TRANS/WP.29/2020/121



Economic and Social Council

Distr.: General
21 August 2020

Original: English

Economic Commission for Europe

Inland Transport Committee

World Forum for Harmonization of Vehicle Regulations

182nd session

Geneva, 10-12 November 2020

Item 4.13.2. of the provisional agenda

1958 Agreement:

Consideration of draft amendments to existing

UN Regulations submitted by GRSG

Proposal for a new UN Regulation on uniform provisions concerning the approval of devices for reversing motion and motor vehicles with regard to the driver's awareness of vulnerable road users behind vehicles

Submitted by the Working Party on General Safety *


The text reproduced below was adopted by the Working Party on General Safety at its 118th session, held in July 2020 (see ECE/TRANS/WP.29/GRSG/97). It is based on ECE/TRANS/WP.29/GRSG/2020/4 as amended by GRSG-118-05. It is submitted to World Forum for Harmonization of Vehicle Regulations (WP.29) and the Administrative Committee of the 1958 Agreement (AC.1) for consideration and vote at their November 2020 sessions.

* In accordance with the programme of work of the Inland Transport Committee for 2020 as outlined in proposed programme budget for 2020 (A/74/6 (part V sect. 20) para 20.37), the World Forum will develop, harmonize and update UN Regulations in order to enhance the performance of vehicles. The present document is submitted in conformity with that mandate.

GE.20-10953(E)



* 2 0 1 0 9 5 3 *

Please recycle 



"UN Regulation No. [XXX]"¹

UN Regulation on uniform provisions concerning the approval of devices for reversing motion and motor vehicles with regard to the driver's awareness of vulnerable road users behind vehicles

Contents

Page²

Regulation

| | |
|--|--|
| 1. Scope | |
| 1. Devices for Reversing Motion | |
| 2. Definitions | |
| 3. Application for approval | |
| 4. Markings | |
| 5. Approval | |
| 6. Requirements | |
| 7. Modification of the type of device for indirect vision and extension of approval | |
| 8. Conformity of production | |
| 9. Penalties for non conformity of production..... | |
| 10. Production definitively discontinued..... | |
| 11. Names and addresses of Technical Services responsible for conducting approval tests, and of Type Approval Authorities..... | |
| II. Installation of devices for reversing motion..... | |
| 12. Definitions | |
| 13. Application for approval | |
| 14. Approval | |
| 15. Requirements..... | |
| 16. Requirements for rear-view camera system | |
| 17. Requirements for detection systems..... | |
| 18. Modifications of the vehicle type and extension of approvals | |
| 19. Conformity of production..... | |
| 20. Penalties for non-conformity of protection | |
| 21. Production definitively discontinued..... | |
| 22. Names and addresses of Technical Services responsible for conducting approval tests, and of Type Approval Authorities..... | |

¹ The Regulation number will be known at the time of entry into force of this UN Regulation. [XXX] is intended to be replaced by the Regulation number once known.

² Page numbers will be added at a later stage.

Annexes

| | |
|----|---|
| 1 | Information document for type approval of a device for reversing motion..... |
| 2 | Information document for type approval of vehicle with respect to the installation of devices for reversing motion..... |
| 3 | Communication concerning the approval or refusal or extension or withdrawal of approval or production definitively discontinued of a type of device for reversing motion, pursuant to Regulation No. [XXX]..... |
| 4 | Communication concerning the approval or refusal or extension or withdrawal of approval or production definitively discontinued of a type of vehicle with regard to the mounting of devices for reversing motion, pursuant to Regulation No. [XXX]..... |
| | Appendix |
| 5 | Arrangement of approval mark for a device for indirect vision |
| 6 | Test method for determining reflectivity |
| 7 | Procedure for determining the radius of curvature "r" of the reflecting surface of a mirror |
| 8 | Procedure for determining the "H" point and the actual torso angle for seating positions in motor vehicles..... |
| | Appendix 1 - Description of the three-dimensional "H" point machine (3-D H machine)..... |
| | Appendix 2 - Three-dimensional reference system..... |
| | Appendix 3 - Reference data concerning seating positions..... |
| 9 | Test methods for close-proximity rear-view field of vision |
| 10 | Test methods for detection systems..... |

Introduction (for information)

The purpose of this Regulation is to provide the provisions for reversing motion concerning on awareness of vulnerable road users proximity. UN Regulation No. 46. provides the provisions for indirect vision of motor vehicles. This Regulation expands driver's vision or awareness for vehicle rear direction when in reversing motion. Therefore, some requirements of this Regulation may be satisfied by devices complying with UN Regulation No.46.

This Regulation cannot cover all the traffic conditions and infrastructure features in the type approval process; this Regulation recognises that the performances required in this Regulation cannot be achieved in all conditions (vehicle speed and condition, weather conditions, and traffic scenarios etc. may affect the system performances).

1. Scope

This Regulation applies to:

- 1.1. Approval of devices for reversing safety defined in Part I intended to be fitted to vehicles of category M and N.
- 1.2. Approval of vehicle installation of devices for reversing safety defined in Part II if fitted to vehicles of category M and N.
- 1.3. At the request of the manufacturer, Contracting Parties may grant approvals under Parts I and II to vehicles of other categories and devices for fitting to such vehicles.
- 1.4. The following vehicles of category M and N shall be exempted from this Regulation:
Vehicles where installation of any device for reversing safety is incompatible with their on-road use may be partly or fully exempted from this Regulation, subject to the decision of the Type Approval Authority.
- 1.5. If a vehicle has multiple device(s), the manufacturer shall designate the device that meets the provisions of the regulation.

Part I Devices for Reversing Motion

2. Definitions

For the purposes of this Regulation:

- 2.1. "*Devices for reversing motion*" means devices intended to give a clear view of the rear of the vehicle within the fields of vision defined in paragraph 15.2. These can be conventional mirrors, Rear-View Camera System or other devices able to present information about the field of vision to the driver.
 - 2.1.1. "*Close-proximity rear-view device*" means a device that gives the field of vision defined in paragraph 15.2. of this Regulation.
 - 2.1.2. "*Devices for indirect vision*" means devices that present information of the fields of vision defined in paragraph 15.2.
 - 2.1.2.1. "*Rear-View Camera system (RVCS)*" means any system intended to render an image of the outside world and give a clear view to the rear of the vehicle within the fields of vision defined in paragraph 15.2. by means of camera.
 - 2.1.2.1.1. "*Luminance contrast*" means the brightness ratio between an object and its immediate background/surrounding that allows the object to be distinguished from its background/surroundings. The definition is in accordance with the definition given in ISO 9241-302:2008.

- 2.1.2.1.2. "*Resolution*" means the smallest detail that can be discerned with a perceptual system, i.e. perceived as separate from the larger whole. The resolution of the human eye is indicated as "visual acuity".
- 2.1.2.1.3. "*Visual spectrum*" means light with a wavelength within the range of the perceptual limits of the human eyes: 380-780 nm.
- 2.1.2.2. "*Close-proximity rear-view mirror*" means any device, excluding devices such as periscopes, intended to give a clear view to the rear of the vehicle within the fields of vision defined in paragraph 15.2. by means of a reflective surface.
- 2.1.2.2.1. "*r*" means the average of the radii of curvature measured over the reflecting surface, in accordance with the method described in Annex 7.
- 2.1.2.2.2. "*The principal radii of curvature at one point on the reflecting surface (r_i)*" means the values obtained with the apparatus defined in Annex 7, measured on the arc of the reflecting surface passing through the centre of this surface parallel to the segment b, as defined in paragraph 6.1.2.1.2. of this Regulation and on the arc perpendicular to this segment.
- 2.1.2.2.3. "*The radius of curvature at one point on the reflecting surface (r_p)*" means the arithmetical average of the principal radii of curvature r_i and r_i' , i.e.:

$$r_p = \frac{r_i + r_i'}{2}$$

- 2.1.2.2.4. "*Spherical surface*" means a surface, which has a constant and equal radius in all directions.
- 2.1.2.2.5. "*Aspherical surface*" means a surface, which has only in one plane a constant radius.
- 2.1.2.2.6. "*Aspherical mirror*" means a mirror composed of a spherical and an aspherical part, in which the transition of the reflecting surface from the spherical to the aspherical part has to be marked. The curvature of the main axis of the mirror is defined in the x/y coordinate system defined by the radius of the spherical primary calotte with:

$$y = R - \sqrt{(R^2 - x^2) + k(x - a)^3}$$

Where:

R: nominal radius in the spherical part

k: constant for the change of curvature

a: constant for the spherical size of the spherical primary calotte

- 2.1.2.2.7. "*Centre of the reflecting surface*" means the centre of the visible area of the reflecting surface.
- 2.1.2.2.8. "*The radius of curvature of the constituent parts of the mirror*" means the radius "c" of the arc of the circle which most closely approximates to the curved form of the part in question.
- 2.1.2.3. "*Other devices for indirect vision*" means devices as defined in paragraph 2.1.2. above, where the field of vision is not obtained by means of a mirror or a Rear-View Camera System.
- 2.1.3. "*Test object*" means a cylindrical object with a height of 0.8 m and a diameter of 0.30 m.
- 2.1.4. "*Field of vision*" means the section of the tri-dimensional space above ground level which is monitored with the help of a device for indirect vision. Unless otherwise stated, this is based on the view offered by a device and/or devices

- other than mirrors. This may be limited by the relevant detection distance corresponding to the test object.
- 2.1.5. *"Detection System"* means a system which uses signals to enable the driver to detect objects in the area adjacent to the vehicle.
- 2.1.5.1. *"Audible information"* means information using auditory signals provided by a detection system as defined in paragraph 2.1.5. above to enable the driver to detect objects in the area adjacent to the vehicle.
- 2.1.5.2. *"Optical information"* means information using optical signals provided by a detection system as defined in paragraph 2.1.5. above to enable the driver to detect objects in the area adjacent to the vehicle.
- 2.1.5.3. *"Haptic information"* means information using haptic signals provided by a detection system as defined in paragraph 2.1.5. above to enable the driver to detect objects in the area adjacent to the vehicle.
- 2.1.6. *"Field of detection"* means the section of the tri-dimensional space above ground level which is monitored with the help of a detection system.
- 2.2. *"Type of device for Reversing Safety"* means devices that do not differ on the following essential characteristics:
- (a) Design of the device inclusive, if pertinent, the attachment to the bodywork;
 - (b) In the case of mirrors, the shape, the dimensions and radius of curvature of the mirror's reflecting surface;
 - (c) In the case of Rear-View Camera System, the field of view, the magnification.
 - (d) In the case of detection systems, the sensor type, the information signal type.

3. Application for approval

- 3.1. The application for approval of a type of device for indirect vision shall be submitted by the holder of the trade name or mark or by his duly accredited representative.
- 3.2. A model of information document is shown in Annex 1.
- 3.3. For each type of device for indirect vision the application shall be accompanied by three samples of the parts.
- 3.4. The RVCS shall be provided by the applicant with the following documents:
- (a) Technical specification of the RVCS; and
 - (b) Operator's manual.

4. Markings

- 4.1. The samples of devices for indirect vision submitted for approval shall bear the trade name or mark of the manufacturer; this marking shall be clearly legible and be indelible.
- 4.2. Every device for indirect vision shall possess, on at least one of the main components, a space large enough to accommodate the approval mark, which shall be legible; this space shall be shown on the drawings referred to in Annex 1. The approval mark shall also be legible when the device is mounted on the vehicle with the exception of Rear-View Camera System as defined in paragraph 2.1.2. or a detection system as defined in paragraph 2.1.5. Other components of the device shall bear a means of identification. In the case of

limited space for the approval mark(s), other means of identification that link it to the approval mark shall be provided.

5. Approval

- 5.1. If the samples submitted for approval meet the requirements of paragraph 6. of this Regulation, approval of the pertinent type of device for indirect vision shall be granted.
- 5.2. An approval number shall be assigned to each type approved. Its first two digits (at present 00) shall indicate the series of amendments incorporating the most recent major technical amendments made to the Regulation at the time of issue of the approval. The same Contracting Party shall not assign the same number to another type of device for indirect vision.
- 5.3. Notice of approval or of refusal or of extension or withdrawal of approval or of production definitively discontinued of a type of device for indirect vision pursuant to this Regulation shall be communicated to the Parties to the Agreement which apply this Regulation by means of a form conforming to the model in Annex 3 to this Regulation.
- 5.4. There shall be affixed, on at least one of the main components, conspicuously and in the space referred to in paragraph 4.2. above, to every device for indirect vision, conforming to a type approved under this Regulation, in addition to the mark prescribed in paragraph 4.1. above, an international approval mark consisting of:
- 5.4.1. A circle surrounding the letter "E" followed by:
- (a) The distinguishing number of the country which has granted approval;³ and
 - (b) The number of this Regulation, followed by the letter "R", a dash and the approval number.
- 5.5. The approval mark and the additional symbol(s) shall be clearly legible and be indelible.
- 5.6. Annex 5 to this Regulation gives an example of the arrangement of the aforesaid approval mark and additional symbol.

6. Requirements

- 6.1. Close-proximity rear-view mirrors
- 6.1.1. General specifications
- 6.1.1.1. All mirrors may be adjustable.
- 6.1.2. Special specifications
- 6.1.2.1. Dimensions
- 6.1.2.1.1. The contours of the reflecting surface shall be of simple geometric form and its dimensions such that the mirror provides the field of vision specified in paragraph 15.2. of this Regulation.
- 6.1.2.1.2. The dimensions of the reflecting surface shall be such that it is possible to inscribe therein:

³ The distinguishing numbers of the Contracting Parties to the 1958 Agreement are reproduced in Annex 3 to the Consolidated Resolution on the Construction of Vehicles (R.E.3), document ECE/TRANS/WP.29/78/Rev.6 - www.unecce.org/trans/main/wp29/wp29wgs/wp29gen/wp29resolutions.html

- (a) A rectangle 40 mm high the base length of which, measured in millimeters, has the value "a";
 - (b) A segment which is parallel to the height of the rectangle and the length of which, expressed in millimeters, has the value "b".
- 6.1.2.2. Reflecting surface and coefficients of reflection
- 6.1.2.2.1. The reflecting surface of a mirror shall be either flat or spherically convex. Exterior mirrors may be equipped with an additional aspherical part provided that the main mirror fulfils the requirements of the indirect field of vision.
- 6.1.2.2.2. Differences between the radii of curvature of mirrors
- 6.1.2.2.2.1. The difference between r_i or r'_i , and r_p at each reference point shall not exceed 0.15 r.
- 6.1.2.2.2.2. The difference between any of the radii of curvature (r_{p1} , r_{p2} , and r_{p3}) and r shall not exceed 0.15 r.
- 6.1.2.2.2.3. When r is not less than 3,000 mm, the value of 0.15 r quoted in paragraphs 6.1.2.2.2.1. and 6.1.2.2.2.2. above is replaced by 0.25 r.
- 6.1.2.2.3. The value of the normal coefficient of reflection, as determined according to the method described in Annex 6, shall be not less than 40 per cent.
- In the case of reflecting surfaces with a changeable degree of reflection, the "day" position shall allow the colours of the signals used for road traffic to be recognized. The value of the normal coefficient of reflection in the "night" position shall be not less than 4 per cent.
- 6.1.2.2.4. The reflecting surface shall retain the characteristics laid down in paragraph 6.1.2.2.3. above in spite of prolonged exposure to adverse weather conditions in normal use.
- 6.2. Close-proximity rear-view devices for indirect vision other than mirrors
- 6.2.1. General requirements
- 6.2.1.1. The effectiveness of the RVCS and other vision supporting devices of Close-proximity rear-view shall not be adversely affected by magnetic or electrical fields. This shall be demonstrated by compliance with the technical requirements and transitional provisions of UN Regulation No. 10, 05 series of amendments or any later series of amendments.

7. Modification of the type of device for reversing motion and extension of approval

- 7.1. Every modification to an existing type of device for indirect vision including its connection to the bodywork shall be notified to the Type Approval Authority which approved the type of device for indirect vision. The Type Approval Authority shall then either:
- (a) Decide, in consultation with the manufacturer, that a new type-approval is to be granted; or
 - (b) Apply the procedure contained in paragraph 7.1.1. (Revision) and, if applicable, the procedure contained in paragraph 7.1.2. (Extension).
- 7.1.1. Revision
- When particulars recorded in the information folder have changed and the Type Approval Authority considers that the modifications made are unlikely to have an appreciable adverse effect and that in any case the device for indirect vision still complies with the requirements, the modification shall be designated a "revision".

In such a case, the Type Approval Authority shall issue the revised pages of the information folder as necessary, marking each revised page to show clearly the nature of the modification and the date of re-issue. A consolidated, updated version of the information folder, accompanied by a detailed description of the modification, shall be deemed to meet this requirement.

7.1.2. Extension

The modification shall be designated an "extension" if, in addition to the change of the particulars recorded in the information folder;

- (a) Further inspections or tests are required; or
- (b) Any information on the communication document (with the exception of its attachments) has changed; or
- (c) Approval to a later series of amendments is requested after its entry into force.

7.2. Confirmation or refusal of approval, specifying the alterations shall be communicated by the procedure specified in paragraph 5.3. above to the Parties to the Agreement which apply this Regulation. In addition, the index to the information package, attached to the communication document, shall be amended accordingly to show the date of the most recent revision or extension.

7.3. The Type Approval Authority issuing the extension of approval shall assign a series number to each communication form drawn up for such an extension.

8. Conformity of production

8.1. The conformity of production procedure shall comply with those set out in the Agreement, Schedule 1 (E/ECE/TRANS/505/Rev.3).

8.2. Every device for indirect vision approved under this Regulation shall be so manufactured as to conform to the type approved by meeting the requirements set out in paragraph 6. above.

9. Penalties for non-conformity of production

9.1. The approval granted in respect of a type of device for indirect vision pursuant to this Regulation may be withdrawn if the requirement laid down in paragraph 8.1. above is not complied with or if the type of device for indirect vision did not satisfy the requirements prescribed in paragraph 8.2. above.

9.2. If a Contracting Party to the Agreement which applies this Regulation withdraws an approval it has previously granted, it shall forthwith so notify the other Contracting Parties applying this Regulation by means of a copy of the communication form bearing at the end, in large letters, the signed and dated annotation "APPROVAL WITHDRAWN".

10. Production definitively discontinued

If the holder of the approval completely ceases to manufacture a type of device for indirect vision approved in accordance with this Regulation, he shall so inform the Type Approval Authority which granted the approval. Upon receiving the relevant communication, the Authority shall inform thereof the other Parties to the Agreement applying this Regulation by means of a copy of the approval form bearing at the end, in large letters, the signed and dated annotation "PRODUCTION DISCONTINUED".

11. Names and addresses of Technical Services responsible for conducting approval tests, and of Type Approval Authorities

The Contracting Parties to the Agreement applying this Regulation shall communicate to the United Nations Secretariat the names and addresses of the Technical Services responsible for conducting approval tests and of the Type Approval Authorities which grant approval and to which forms certifying approval or refusal or extension or withdrawal of approval, issued in other countries, are to be sent.

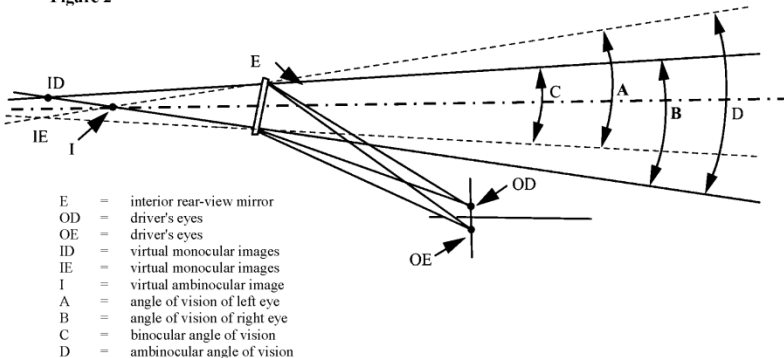
Part II Installation of devices for reversing motion

12. Definitions

For the purpose of this Regulation:

- 12.1. "The driver's ocular points" means two points 65 mm apart and 635 mm vertically above point R of the driver's seat as defined in Annex 8. The straight line joining these points runs perpendicular to the vertical longitudinal median plane of the vehicle. The centre of the segment joining the two ocular points is in a vertical longitudinal plane which shall pass through the centre of the driver's designated seating position, as specified by the vehicle manufacturer.
- 12.2. "Ambinocular vision" means the total field of vision obtained by the superimposition of the monocular fields of the right eye and the left eye (see Figure 2 below).

Figure 2



- 12.3. "Type of vehicle as regards to the driver's awareness of vulnerable road users behind vehicles" means motor vehicles which are identical in respect of the following basic features:
- 12.3.1. Type of device for reversing motion;
- 12.3.2. The bodywork features which reduce the field of vision;
- 12.3.3. The coordinates of point R (where applicable);
- 12.3.4. The prescribed positions, and type-approval markings of compulsory and (if fitted) optional devices for indirect vision.

- 12.4. "*Vehicles of categories M₁, M₂, M₃, N₁, N₂ and N₃*" means those defined in the Consolidated Resolution on the Construction of Vehicles (R.E.3), (document ECE/TRANS/WP.29/78/Rev.6).
- 12.5. "*Ocular reference point*" means the middle point between the driver's ocular points.
- 12.6. "*Backing event*" means an amount of time from start and ends of reversing motion as described in 15.1.1. in this Regulation.
- 12.7. "*The driver's looking-back ocular points*" means two points located at 96 mm longitudinally rearward, 158 mm horizontally inside to vehicle centre direction and 6 mm vertically above from "the driver's ocular points" described in paragraph 12.1.
- 12.8. "*Active vehicle mode*" means the vehicle mode when:
The powertrain moves the vehicle, on release of the brake system and in some cases by application of pressure to the accelerator pedal (or activation of an equivalent control).

13. Application for approval

- 13.1. The application for approval of a vehicle type with regard to the installation of devices for indirect vision shall be submitted by the vehicle manufacturer or by his duly accredited representative.
- 13.2. A model of information document is shown in Annex 2.
- 13.3. A vehicle representative of the vehicle type to be approved shall be submitted to the Technical Service responsible for conducting the approval tests.
- 13.4. The Type Approval Authority shall verify the existence of satisfactory arrangements for ensuring effective checks on conformity of production before type-approval is granted.
- 13.5. The RVCS shall be provided by the applicant with the following documents:
(a) Technical specification of the RVCS;
(b) Operator's manual.

14. Approval

- 14.1. If the vehicle type submitted for approval in accordance with paragraph 13. above meets the requirements of paragraph 15. of this Regulation, approval shall be granted.
- 14.2. An approval number shall be assigned to each type approved. Its first two digits (at present 00) shall indicate the series of amendments incorporating the most recent or technical amendments made to the Regulation at the time of issue of the approval. The same Contracting Party shall not assign the same number to another vehicle type.
- 14.3. Notice of approval or of refusal or of extension or withdrawal of approval of a vehicle type pursuant to this Regulation shall be communicated to the Parties to the Agreement which apply this Regulation by means of a form conforming to the model in Annex 4 to this Regulation.

15. Requirements

15.1. General

For the purpose of this Regulation, the vehicle shall fulfil the following requirements:

During a backing event at least one means of vision or awareness shall be provided to the driver.

Means of vision provide a close-proximity rear-view field of vision as defined in paragraph 15.2 below. Possible means are:

- (a) Direct vision,
- (b) Devices approved to UN Regulation No. 46,
- (c) Close Proximity Rear-view Mirror complying with this Regulation,
- (d) Rear-View Camera System complying with this Regulation.

Means of Awareness provide an information other than vision for field of detection as defined in paragraphs 15.3 below. Possible means are:

- (a) Detection System complying with this Regulation.

15.1.1. Backing event starts when the vehicle is in Active vehicle mode and the vehicle's direction selector is placed from forward, park or neutral into reverse by the driver or a system, and ends when one of the following forward motion conditions, at the manufacturer's choosing, is met:

- (a) A speed ≤ 16 km/h (including 0 km/h), or
- (b) A distance travelled ≤ 10 meters (including 0 meters), or
- (c) A continuous duration ≤ 10 seconds (including 0 seconds), or
- (d) The vehicle's direction selector is not placed in reverse.

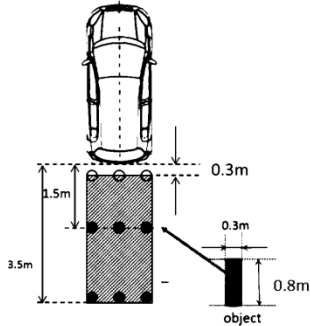
15.2. Close Proximity Rear-View Field of Vision

The field of vision shall be bounded by the following planes:

- (a) A transverse vertical plane passing through a point 0.3m from the outermost point of the rear of the vehicle;
- (b) A transverse vertical plane passing through a point 3.5m behind the outermost point of the rear of the vehicle;
- (c) Two longitudinal vertical planes parallel to the longitudinal vertical median plane passing through the outermost point of each side of the vehicle.

The height of the field of vision is defined at nine positions within the boundaries of the field of vision with test objects with a height of 0.8m and a diameter of 0.3m which are located on the ground plane as defined in Figure 3 below:

Figure 3
Close-proximity rear-view field of vision



15.2.1. Requirements

When tested under the conditions defined in Annex 9 the requirement for close-proximity rear-view field of vision shall be considered to be satisfied if the defined field of vision can be seen:

- (a) For the test objects in the first row (Test objects A, B, and C):
A 0.15 m x 0.15 m area or the top of the test object shall be visible at least one position on each test object.
- (b) For the test objects in the second row (Test objects D, E, and F) and the third row (Test objects G, H, and I):
The whole test object shall be seen.

- 15.2.1.1. Via the direct view from the driver's looking back ocular points; or
- 15.2.1.2. Via the direct view from the driver's looking back ocular points combined with a close-proximity rear-view mirror installed at the rear end of the vehicle supporting this direct view; or
- 15.2.1.3. Via a device of indirect vision (mirror or CMS or other) approved to UN Regulation No. 46; or
- 15.2.1.4. Via a device of indirect vision (mirror or RVCS or other) complying with this Regulation; or
- 15.2.1.5. Via a device of detection system that complies with this Regulation except for the field of detection (e.g. very short range); or
- 15.2.1.6. Via a combination of devices of paragraphs 15.2.1.3, 15.2.1.4. and 15.2.1.5. except a combination of RVCS and mirror(s) or close-proximity rear-view mirror.
- 15.2.1.7. The options 15.2.1.1 and 15.2.1.2 only apply to the vehicle categories M₁ and N₁, when the distance between looking back ocular point to vehicle rear-end does not exceed 2000 mm and when the vehicle has one seating row.
- 15.2.2. The close-proximity rear-view field of vision shall be established using ambinoocular vision, the eyes being at the "driver's ocular points" as defined in paragraph 12.1. above. The fields of vision shall be determined when the vehicle is in running order as defined in the consolidated Resolution on the Construction of vehicles (R.E.3) (ECE/TRANS/WP.29/78/Rev.6, para. 2.2.5.4.), plus for M1 and N1 vehicles one front seat passenger (75 kg). When established through windows, the glazing shall have a total light transmission factor in accordance with UN Regulation No. 43, Annex 24.

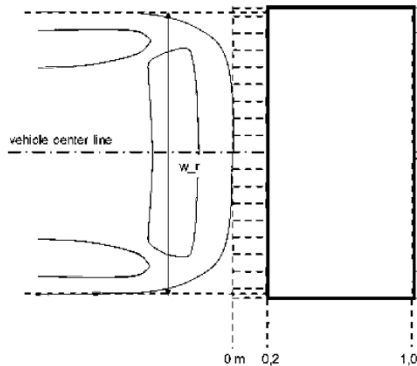
In case of direct view from the driver's looking back ocular points the vertical position of rear seat headrests shall be set at the designed position of assumed to use or the highest position if the headrest has multiple position settings or at the position agreed with the Technical Service.

- 15.2.3. In case of combination of devices, each transverse row of test objects shall be seen by one device. The close-proximity rear-view field of vision shall be obtained from the minimum number of mirrors and monitors.
- 15.2.4. In the case of mirrors consisting of several reflecting surfaces which are either of different curvature or make an angle with each other, at least one of the reflecting surfaces shall provide the field of vision and have the dimensions specified for the class to which they belong.
- 15.3. Field of detection

The field of detection shall be bounded by the following planes (see figure 4):

- (a) A transverse vertical plane passing through a point 200 mm from the outermost point of the rear of the vehicle;
- (b) A transverse vertical plane passing through a point 1,000 mm behind the outermost point of the rear of the vehicle;
- (c) Two longitudinal vertical planes parallel to the longitudinal vertical median plane passing through the outermost point of each side of the vehicle.

Figure 4
Field of detection



- 15.3.1. When tested under the conditions defined in Annex 10 the requirement for field of detection shall be considered to be satisfied if the information as defined in paragraph 17.2 is provided to the driver.
- 15.4. Devices for reversing motion
- 15.4.1. Position
- 15.4.1.1. Devices for indirect vision shall be so placed that the driver, when sitting on the driving seat in a normal driving position, has a clear view of the road to the rear, side(s) or front of the vehicle.
- 15.4.1.2. In the case of any vehicle, which is in chassis/cab form when the field of vision is measured, the minimum and maximum body widths shall be stated by the manufacturer and, if necessary, simulated by dummy headboards. All vehicles and devices for indirect vision configurations taken into consideration during

the tests shall be shown on the type-approval certificate for a vehicle with regard to the installation of devices for indirect vision (see Annex 4).

- 15.4.1.3. Devices for indirect vision shall not project beyond the external bodywork of the vehicle substantially more than is necessary to comply with the requirements concerning fields of vision.
- 15.4.1.4. Devices for indirect vision shall be fitted in such a way that the devices do not move so as significantly to change the field of vision as measured or vibrate to an extent which would cause the driver to misinterpret the nature of the image perceived.

16. Requirements for rear-view camera system

- 16.1. Default view
- In default view the RVCS shall show the field of view at least as defined in paragraph 15.2.
- The RVCS must default to the rear-view image at the beginning of each backing event regardless of any modifications to the field of view that the driver has previously selected.
- 16.1.1. Object size
- When the Rear-view image is measured in accordance with the paragraphs 3. of Annex 9, the calculated visual angle subtended by the horizontal width of:
- (a) All three test objects at the last row specified in 15.2 shall average not less than 5 minutes of arc; and
 - (b) Each individual test object shall not be less than 3 minutes of arc.
- 16.1.1.1. Luminance and contrast adjustment
- If manual adjustment is provided, the operator's manual shall provide information on how to change the luminance/contrast.
- 16.1.1.2. Overlay requirements within the required field of vision
- Overlays shall display only rearward driving-related visual information or safety-related information. Overlays for other purposes of information in the required field of vision are not allowed.
- Manually activated overlays are allowed, only when the driver needs to activate a rearward driving-related function or safety-related function (e.g. cleaning of the lens or activation of trailer hitch view) or requires specific information in such an environment. The driver may have an option to close the overlay.
- 16.1.1.3. Deactivation
- The rear-view image shall remain visible during the backing event until either, the driver modifies the view, or the vehicle direction selector is no longer in the reverse position.
- Modifying the view means to switch to any other camera views.
- The view can be manually switched off when the vehicle is not moving rearward.
- The system may be switched off when the vehicle detects a coupling by means of a coupling device.

- 16.1.1.4. Automatic change of view
When there is a risk of collision, the field of view may change and focus on the collision area. It shall be demonstrated to the Technical Service that this change of view increases the safety.
When the vehicle is not driving straight, the field of view may change following the vehicle trajectory.
- 16.1.2. Operating readiness (System availability)
Non-operation of the system shall be recognizable to the driver (e.g. RVCS failure by, i.e. warning indication, display information, black screen, absence of status indicator). The information for the driver shall be explained in the operator's manual.
- 16.1.2.1. Response time
The rear-view image meeting the requirements described in 15.2. shall be provided after a maximum of 2.0 seconds after start of the backing event, when tested according to paragraphs 2. of Annex 9.
- 16.1.3. Monitor inside the vehicle
- 16.1.3.1. The monitor defined size shall be visible without any obstruction from the ocular reference point. A virtual testing is acceptable.
- 16.1.4. Obstruction of the driver's direct view caused by the installation of a device for indirect vision shall be restricted to a minimum.
- 16.2. Vehicles may be equipped with additional devices for indirect vision.
- 16.3. Notwithstanding the provisions above, any other design concept shall be demonstrated to the satisfaction of the Technical Service within the safety concept that is provided in the provisions above.

17. Requirements for detection systems

- 17.1. System activation
The system shall be activated when the backing event starts. If proper functioning cannot be effected, either the system shall automatically shut off or the driver shall be able to deactivate the system manually.
The detection system shall remain active as long as the vehicle direction selector is in the reverse position.
In case the vehicle can detect coupling with a coupling device, the system may be switched off.
- 17.2. Driver interface and information presentation strategy
- 17.2.1. The system shall have at least two kinds of information signal selected from audible, optical, and haptics.
- 17.2.1.1. As long as one information signal remains active, the driver may de-activate the other information signals.
- 17.2.2. Audible information
When an object is detected in the rear horizontal area as described in paragraph 1.3. of Annex 10, while the reverse gear is selected/engaged, audible information in accordance with ISO 15006:2011 shall be given.
In presenting audible information, the distance may be identified at two or more levels. These zones differentiated by levels (distance) and detection width may be indicated by changing the frequency of intermittent sound, and a faster intermittent sound or continuous sound shall be used as the distance becomes closer.

- 17.2.3. Duration of signalling
 Signalling for an object shall last as long as the object is detected and shall end when the object is no longer detected or when the system is deactivated.
 To reduce the driver's discomfort, the audible signal can be automatically suspended temporarily after a certain time set by the manufacturer has elapsed, provided that the system remains activated. If, while the audible signal is automatically suspended temporarily, the distance to the object becomes short, the audible signal shall be automatically resumed. If the distance to the object becomes long, the audible signal may remain suspended.
- 17.2.4. Optical information
 In the case optical information is placed on a monitor used for other information such as meter cluster display or other displays, overlay is allowed and shall comply with the overlay requirements of the RVCS in 16.1.1.2. of this Regulation.
- 17.2.5. Operating readiness (System availability)
 Non-operation of the system shall be recognizable to the driver (e.g. Detection system failure by, i.e. warning indication, display information, black screen, absence of status indicator). The information for the driver shall be explained in the operator's manual.
- 17.3. Performance of object detection
- 17.3.1. Response time
 At least one of the audible or haptic information signals that meets the requirements as described in 17.2., shall be given to the driver within a maximum of 0.6 seconds after the start of the backing event, when tested according to paragraph 2. of Annex 10.

18. Modifications of the vehicle type and extension of approval

- 18.1. Every modification of the vehicle type shall be notified to the Type Approval Authority which approved the vehicle type. Type Approval Authority shall then either:
- Decide, in consultation with the manufacturer, that a new type approval is to be granted; or
 - Apply the procedure contained in paragraph 18.1.1. (Revision) and, if applicable, the procedure contained in paragraph 18.1.2. (Extension).
- 18.1.1. Revision
 When particulars recorded in the information folder have changed and the Type Approval Authority considers that the modifications made are unlikely to have an appreciable adverse effect, and that in any case the vehicle still complies with the requirements, the modification shall be designated a "revision".
 In such a case, the Type Approval Authority shall issue the revised pages of the information folder as necessary, marking each revised page to show clearly the nature of the modification and the date of re-issue. A consolidated updated version of the information folder, accompanied by a detailed description of the modification, shall be deemed to meet this requirement.
- 18.1.2. Extension
 The modification shall be designated an "extension" if, in addition to the change of the particulars recorded in the information folder,
- Further inspections or tests are required; or

- (b) Any information on the communication document (with the exception of its attachments) has changed; or
 - (c) Approval to a later series of amendments is requested after its entry into force.
- 18.2. Confirmation or refusal of approval, specifying the alterations, shall be communicated to the Parties to the Agreement which apply this Regulation by means of a form conforming to the model in Annex 4 to this Regulation. In addition, the index to the information package, attached to the communication document, shall be amended accordingly to show the date of the most recent revision or extension.
- 18.3. The Type Approval Authority issuing the extension of approval shall assign a series number to each communication form drawn up for such an extension.

19. Conformity of production

- 19.1. The conformity of production procedure shall comply with those set out in the Agreement, Schedule 1 (E/ECE/TRANS/505/Rev.3).
- 19.2. Every vehicle approved under this Regulation shall be so manufactured as to conform to the type approved by meeting the requirements set out in paragraph 15., where applicable paragraph 16. and paragraph 17. above.

20. Penalties for non-conformity of production

- 20.1. The approval granted in respect of a vehicle type pursuant to this Regulation may be withdrawn if the requirement laid down in paragraph 19.1. above is not complied with or if the vehicle fails to pass the checks prescribed in paragraph 19.2. above.
- 20.2. If a Party to the Agreement which applies this Regulation withdraws an approval it has previously granted, it shall forthwith so notify the other Contracting Parties applying this Regulation by means of a copy of the approval form bearing at the end, in large letters, the signed and dated annotation "APPROVAL WITHDRAWN".

21. Production definitively discontinued

If the holder of the approval completely ceases to manufacture a type of vehicle approved in accordance with this Regulation, he shall so inform the Type Approval Authority which granted the approval. Upon receiving the relevant communication, the Authority shall inform thereof the other Parties to the Agreement applying this Regulation by means of a copy of the approval form bearing at the end, in large letters, the signed and dated annotation "PRODUCTION DISCONTINUED".

22. Names and addresses of Technical Services responsible for conducting approval tests, and of Type Approval Authorities

The Parties to the Agreement applying this Regulation shall communicate to the United Nations Secretariat the names and addresses of the Technical Services responsible for conducting approval tests and of the Type Approval Authorities which grant approval and to which forms certifying approval or refusal or extension or withdrawal of approval, issued in other countries, are to be sent.

Annex 1

Information document for type approval of a device for reversing motion

The following information, if applicable, shall be supplied in triplicate and shall include a list of contents.

Any drawings shall be supplied in appropriate scale and in sufficient detail on size A4 paper or on a folder of A4 format.

Photographs, if any, shall show sufficient details.

1. Make (trade name of manufacturer):
2. Type and general commercial description(s):
3. Means of identification of the type, if indicated on the device:
4. Category of vehicle for which the device is intended:
5. Name and address of manufacturer:
6. Location and method of affixing of the approval mark:
- 6.1. Other mean of identification link to the approval mark:
7. Address(es) of assembly plant(s):
8. Mirrors (state for each mirror):
- 8.1. Variant
- 8.2. Drawing(s) for the identification of the mirror:
- 8.3. Details of the method of attachment:
9. Devices for indirect vision other than mirrors:
- 9.1. Type and characteristics (such as a complete description of the device):
- 9.2. Sufficiently detailed drawings to identify the complete device including installation instructions; the position for the type-approval mark has to be indicated on the drawings:

Annex 2

Information document for type approval of a vehicle with respect to the installation of devices for reversing motion

The following information, if applicable, shall be supplied in triplicate and include a list of contents.

Any drawings shall be supplied in appropriate scale and in sufficient detail on size A4 paper or on a folder of A4 format.

Photographs, if any, shall show sufficient details.

General

1. Make (trade name of manufacturer):
2. Type and general commercial description(s):
3. Means of identification of type, if marked on the vehicle:
4. Location of that marking:
5. Category of vehicle:
6. Name and address of manufacturer:
7. Address(es) of assembly plant(s):

General construction characteristics of the vehicle

8. Photograph(s) and/or drawing(s) of a representative vehicle:
9. Driving position: left/right¹
- 9.1. The vehicle is equipped to be driven in right-hand/left hand traffic¹
10. Range of vehicle dimensions (overall):
- 10.1 For chassis without bodywork
- 10.1.1. Width:²
- 10.1.1.1. Maximum permissible width:
- 10.1.1.2. Minimum permissible width:
- 10.2. For chassis with bodywork:
- 10.2.1. Width²
11. Bodywork

¹ Strike out what does not apply.

² "Overall width" of a vehicle means a dimension which is measured according to ISO standard 612-1978, term No. 6.2. In the case of vehicles of category other than M₁, in addition to the provisions of that standard, when measuring the vehicle width the following devices shall not be taken into account:

- (a) Customs sealing devices and their protection;
- (b) Devices for securing the tarpaulin and their protection;
- (c) Tyre failure tell-tale devices;
- (d) Protruding flexible parts of a spray-suppression system;
- (e) Lighting equipment;
- (f) For buses, access ramps in running order, lifting platforms and similar equipment in running order provided that they do not exceed 10 mm from the side of the vehicle and the corners of the ramps facing forwards or rearwards are rounded to a radius of not less than 5 mm; the edges shall be rounded to a radius of not less than 2.5 mm;
- (g) Devices for indirect vision;
- (h) Tyre-pressure indicators;
- (i) Retractable steps;
- (j) The deflected part of the tyre walls immediately above the point of contact with the ground.

- 11.1. Devices for indirect vision
 - 11.1.1. Mirrors
 - 11.1.1.1. Drawing(s) showing the position of the mirror relative to the vehicle structure:
 - 11.1.1.2. Details of the method of attachment including that part of the vehicle structure to which it is attached:
 - 11.1.1.3. Optional equipment which may affect the rearward field of vision:
 - 11.1.1.4. A brief description of the electronic components (if any) of the adjustment device:
 - 11.1.2. Devices for indirect vision other than mirrors:
 - 11.1.2.1. Sufficiently detailed drawings with the installation instructions:
 - 11.1.2.2. In the case of Rear-View Camera System:
 - 11.1.2.2.1. Drawing(s)/photograph(s) showing the position of the camera(s) relative to the vehicle structure:
 - 11.1.2.2.2. Drawing(s)/photograph(s) showing the arrangement of the monitor(s) including surrounding interior parts:
 - 11.1.2.2.3. Drawing(s)/photograph(s) showing the drivers view onto the monitor(s):
 - 11.1.2.2.4. Drawing(s)/photograph(s) showing the setup and monitor image of the required field of view:
 - 11.1.2.2.5. Details of the method of attachment of the Rear-View Camera System including that part of the vehicle structure to which it is attached:
 - 11.1.2.2.6. Optional equipment which may affect the rearward field of vision:
 - 11.1.2.2.7. A brief description of the electronic components (if any) of the adjustment device:
 - 11.1.2.2.8. A technical specification and operator's manual of the Rear-View Camera System:

Annex 3

Communication

(Maximum format: A4 (210 x 297 mm))



issued by:

Name of administration:

.....

- Concerning:²
- Approval granted
 - Approval extended
 - Approval refused
 - Approval withdrawn
 - Production definitively discontinued

of a type of device for reversing motion pursuant to UN Regulation No. [XXX]

Approval No. Extension No.

1. Trade name or mark of device:
2. Manufacturer's name for the type of device:
3. Manufacturer's name and address:
4. If applicable, name and address of manufacturer's representative:
5. Submitted for approval on:
6. Technical Service responsible for conducting approval tests:
7. Date of report issued by that Service
8. Number of report issued by that Service
9. Brief description
- Identification of the device: mirror, Rear-View Camera System, other device²
- Device for close-proximity rear-view²
10. Position of the approval mark:
11. Reason(s) for extension (if applicable):
12. Approval granted/refused/extended/withdrawn:²
13. Place:.....
14. Date:.....
15. Signature:.....
16. The list of documents deposited with the Type Approval Authority which has granted approval is annexed to this communication and may be obtained on request.

¹ Distinguishing number of the country which has granted/extended/refused/withdrawn approval (see approval provisions in the Regulations).

² Strike out what does not apply.

Annex 4

Communication

(Maximum format: A4 (210 x 297 mm))



issued by : _____
 Name of administration: _____

- Concerning: ²
- Approval granted
 - Approval extended
 - Approval refused
 - Approval withdrawn
 - Production definitively discontinued

of a type of vehicle with regard to the mounting of devices for reversing motion pursuant to UN Regulation No. [XXX]

Approval number: Extension No.:

1. Make (trade name of manufacturer):
2. Type and general commercial description(s)
3. Means of identification of type, if marked on the vehicle:.....
- 3.1. Location of that marking:.....
4. Category of vehicle: (M₁, M₂, M₃, N₁, N₂, N₃)²
5. Name and address of manufacturer:.....
6. Address(es) of the production plant(s).....
7. Additional information: (where applicable). See appendix
8. Technical Service responsible for carrying out the tests:
9. Date of test report:
10. Number of test report:
11. Remarks: (if any). See appendix
12. Place:.....
13. Date:.....
14. Signature:
15. The index to the information package lodged with the Type Approval Authority, which may be obtained on request is attached.

¹ Distinguishing number of the country which has granted/extended/refused/withdrawn approval (see approval provisions in this Regulation)

² Strike out what does not apply.

Annex 4 – Appendix

Appendix to type approval communication form No. concerning the type approval of a vehicle with regard to the mounting of devices for reversing motion under UN Regulation No. [XXX].

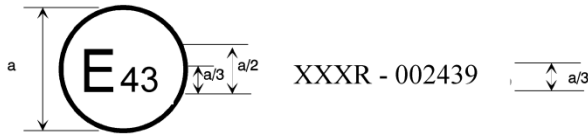
1. Trade name or mark of mirrors and supplementary devices for indirect vision and component type-approval number:
2. Close-proximity rear-view mirrors and devices for reversing motion¹
3. Extension of type approval of the vehicle to cover the following device for indirect vision.....
4. Data for identification of the R point of the driver's seating position:
5. Maximum and minimum bodywork width in respect of which the mirror and the devices for indirect vision has been granted type-approval
6. The following documents, bearing the type approval number shown above, are annexed to this certificate:.....
 - (a) Drawings showing the mounting of the devices for indirect vision.....
 - (b) Drawings and plans showing the mounting position and characteristics of the part of the structure where the devices for indirect vision are mounted.
7. Remarks: (e.g. valid for right hand/left hand traffic¹)

Annex 5

Arrangement of approval mark of a device for indirect vision

(See paragraph 5.4. of the Regulation)

$a = 5$ millimetre min.



The above approval mark affixed to a device for indirect vision indicates that the device is a main Close-proximity rear-view device, which has been approved in Japan (E 43) pursuant to UN Regulation No. [XXX] and under approval number 002439. The first two digits of the approval number indicate that the approval was granted in accordance with the requirements of UN Regulation No. [XXX] in its original form.

Note: The approval number and the additional symbol shall be placed close to the circle and either above or below the "E" or to the left or right of that letter. The digits of the approval number shall be on the same side of the "E" and point in the same direction. The additional symbol shall be directly opposite the approval number. The use of Roman numerals as approval numbers shall be avoided so as to prevent any confusion with other symbols.

Annex 6

Test method for determining reflectivity

1. Definitions

- 1.1. CIE standard illuminate A:¹ Colorimetric illuminate, respecting the full radiator at $T_{\text{os}} = 2,855.6$ K.
- 1.1.2. CIE standard source A¹: Gas-filled tungsten filament lamp operating at a correlated colour temperature of $T_{\text{os}} = 2,855.6$ K.
- 1.1.3. CIE 1931 standard colorimetric observer¹: Receptor of radiation whose colorimetric characteristics correspond to the spectral tristimulus values $\bar{x}(\lambda)$, $\bar{y}(\lambda)$, $\bar{z}(\lambda)$ (see table).
- 1.1.4. CIE spectral tristimulus values¹: Tristimulus values of the spectral components of an equi energy spectrum in the CIE (XYZ) system.
- 1.1.5. Photopic vision:¹ Vision by the normal eye when it is adapted to levels of luminance of at least several cd/m^2 .

2. Apparatus

2.1. General

The apparatus shall consist of a light source, a holder for the test sample, a receiver unit with a photodetector and an indicating meter (see Figure 1), and means of eliminating the effects of extraneous light.

The receiver may incorporate a light-integrating sphere to facilitate measuring the reflectance of non-flat (convex) mirrors (see Figure 2).

2.2. Spectral characteristics of light source and receiver

The light source shall consist of a CIE standard source A and associated optics to provide a near-collimated light beam. A voltage stabiliser is recommended in order to maintain a fixed lamp voltage during instrument operation.

The receiver shall have a photodetector with a spectral response proportional to the photopic luminosity function of the CIE (1931) standard colorimetric observer (see table). Any other combination of illuminate-filter-receptor giving the overall equivalent of CIE standard illuminate A and photopic vision may be used. When an integrating sphere is used in the receiver, the interior surface of the sphere shall be coated with a matt (diffusive) spectrally non-selective white coating.

2.3. Geometrical conditions

The angle of the incident beam (Θ) should preferably be 0.44 ± 0.09 rad ($25 \pm 5^\circ$) from the perpendicular to the test surface and shall not exceed the upper limit of the tolerance (i.e. 0.53 rad or 30°). The axis of the receptor shall make an angle (Θ) with this perpendicular equal to that of the incident beam (see Figure 1). The incident beam upon arrival at the test surface shall have a diameter of not less than 13 mm (0.5 inch). The reflected beam shall not be wider than the sensitive area of the photodetector, shall not cover less than 50 per cent of such area, and as nearly as possible shall cover the same area segment as used during instrument calibration.

When an integrating sphere is used in the receiver section, the sphere shall have a minimum diameter of 127 mm (5 inch). The sample and incident beam

¹ Definitions taken from CIE publication 50 (45), International Electrotechnical Vocabulary, Group 45, Lighting

apertures in the sphere wall shall be of such a size as to admit the entire incident and reflected light beams. The photodetector shall be so located as not to receive direct light from either the incident or the reflected beam.

2.4. Electrical characteristics of the photodetector-indicator unit

The photodetector output as read on the indicating meter shall be a linear function of the light intensity of the photosensitive area. Means (electrical and/or optical) shall be provided to facilitate zeroing and calibration adjustments. Such means shall not affect the linearity or the spectral characteristics of the instrument. The accuracy of the receptor indicator unit shall be within ± 2 per cent of full scale, or ± 10 per cent of the magnitude of the reading, whichever is the smaller.

2.5. Sample holder

The mechanism shall be capable of locating the test sample so that the axes of the source arm and receptor intersect at the reflecting surface. The reflecting surface may lie within or at either face of the mirror sample, depending on whether it is a first surface, second surface or prismatic "flip" type mirror.

3. Procedure

3.1. Direct calibration method

In the direct calibration method, air is used as the reference standard. This method is applicable for those instruments, which are so constructed as to permit calibration at the 100 per cent point by swinging the receiver to a position directly on the axis of the light source (see Figure 1).

It may be desired in some cases (such as when measuring low-reflectivity surfaces) to use an intermediate calibration point (between 0 and 100 per cent on the scale) with this method. In these cases, a neutral density filter of known transmittance shall be inserted in the optical path, and the calibration control shall then be adjusted until the meter reads the percentage transmission of the neutral density filter. This filter shall be removed before reflectivity measurements are performed.

3.2. Indirect calibration method

The indirect calibration method is applicable in the case of instruments with fixed source and receiver geometry. A properly calibrated and maintained reflectance standard is required. This reference standard should preferably be a flat mirror with a reflectance value as near as possible to that of the test samples.

3.3. Flat mirror measurement

The reflectance of flat mirror samples can be measured on instruments employing either the direct or the indirect calibration method. The reflectance value is read directly from the indicating meter.

3.4. Non-flat (convex) mirror measurement

Measurement of the reflectance of non-flat (convex) mirrors requires the use of instruments which incorporate an integrating sphere in the receiver unit (see Figure 2). If the instrument-indicating meter indicates n_x divisions with a standard mirror of E per cent reflectance, then, with a mirror of unknown reflectance, n_x divisions will correspond to a reflectance of X per cent, in accordance with the formula:

$$X = E \frac{n_x}{n_e}$$

Figure 1
Generalised reflectometer showing experimental set-ups for the two calibration methods

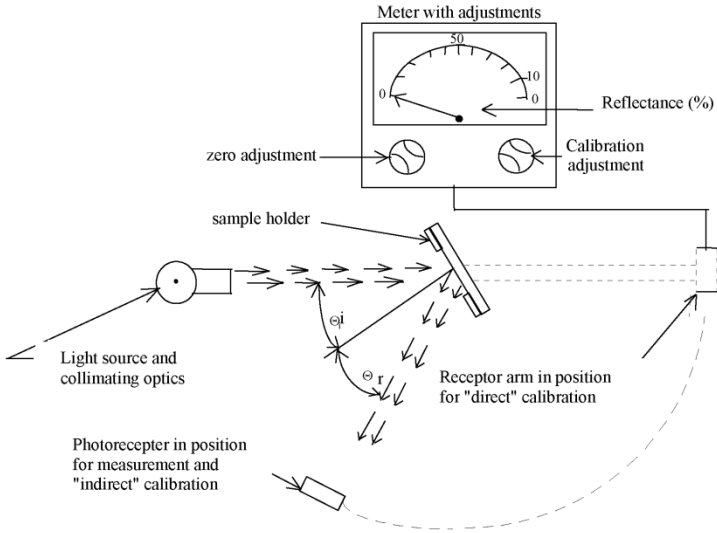
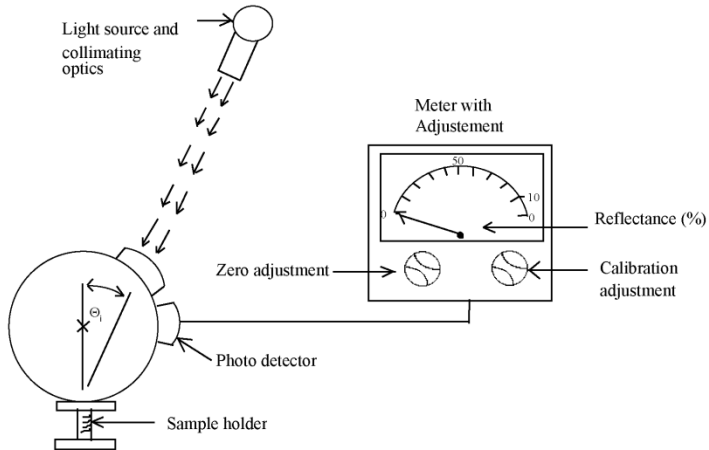


Figure 2
Generalised reflectometer, incorporating an integrating sphere in the receiver



4. Spectral tristimulus values for the CIE 1931 standard colorimetric observer²

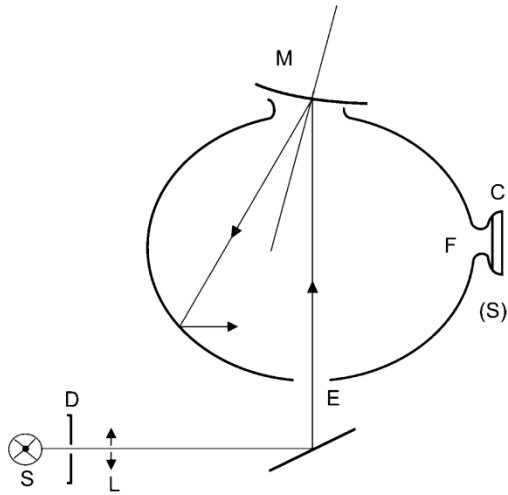
This table is taken from CIE publication 50 (45) (1970)

| λ nm | $\bar{x}(\lambda)$ | $\bar{y}(\lambda)$ | $\bar{z}(\lambda)$ |
|-----------------|--------------------|--------------------|--------------------|
| 380 | 0.001 4 | 0.000 0 | 0.006 5 |
| 390 | 0.004 2 | 0.000 1 | 0.020 1 |
| 400 | 0.014 3 | 0.000 4 | 0.067 9 |
| 410 | 0.043 5 | 0.001 2 | 0.207 4 |
| 420 | 0.134 4 | 0.004 0 | 0.645 6 |
| 430 | 0.283 9 | 0.011 6 | 1.385 6 |
| 440 | 0.348 3 | 0.023 0 | 1.747 1 |
| 450 | 0.336 2 | 0.038 0 | 1.772 1 |
| 460 | 0.290 8 | 0.060 0 | 1.669 2 |
| 470 | 0.195 4 | 0.091 0 | 1.287 6 |
| 480 | 0.095 6 | 0.139 0 | 0.813 0 |
| 490 | 0.032 0 | 0.208 0 | 0.465 2 |
| 500 | 0.004 9 | 0.323 0 | 0.272 0 |
| 510 | 0.009 3 | 0.503 0 | 0.158 2 |
| 520 | 0.063 3 | 0.710 0 | 0.078 2 |
| 530 | 0.165 5 | 0.862 0 | 0.042 2 |
| 540 | 0.290 4 | 0.954 0 | 0.020 3 |
| 550 | 0.433 4 | 0.995 0 | 0.008 7 |
| 560 | 0.594 5 | 0.995 0 | 0.003 9 |
| 570 | 0.762 1 | 0.952 0 | 0.002 1 |
| 580 | 0.916 3 | 0.870 0 | 0.001 7 |
| 590 | 1.026 3 | 0.757 0 | 0.001 1 |
| 600 | 1.062 2 | 0.631 0 | 0.000 8 |
| 610 | 1.002 6 | 0.503 0 | 0.000 3 |
| 620 | 0.854.4 | 0.381 0 | 0.000 2 |
| 630 | 0.642 4 | 0.265 0 | 0.000 0 |
| 640 | 0.447 9 | 0.175 0 | 0.000 0 |
| 650 | 0.283 5 | 0.107 0 | 0.000 0 |
| 660 | 0.164 9 | 0.061 0 | 0.000 0 |
| 670 | 0.087 4 | 0.032 0 | 0.000 0 |
| 680 | 0.046 8 | 0.017 0 | 0.000 0 |
| 690 | 0.22 7 | 0.008 2 | 0.000 0 |
| 700 | 0.011 4 | 0.004 1 | 0.000 0 |
| 710 | 0.005 8 | 0.002 1 | 0.000 0 |
| 720 | 0.02 9 | 0.001 0 | 0.000 0 |
| 730 | 0.001 4 | 0.000 5 | 0.000 0 |
| 740 | 0.000 7 | 0.000 2 (*) | 0.000 0 |
| 750 | 0.000 3 | 0.000 1 | 0.000 0 |
| 760 | 0.000 2 | 0.000 1 | 0.000 0 |
| 770 | 0.000 1 | 0.000 0 | 0.000 0 |
| 780 | 0.000 0 | 0.000 0 | 0.000 0 |

(*) Changed in 1966 (from 3 to 2)

² Abridged table. The values of $\bar{y}(\lambda) = V(\lambda)$ are rounded off to four decimal places

Explanatory figure
 Example of device for measuring the reflection factor of spherical mirrors



- | | | |
|-----|---|-----------------------|
| C | = | Receiver |
| D | = | Diaphragm |
| E | = | Window of entry |
| F | = | Window of measurement |
| L | = | Lens |
| M | = | Object window |
| S | = | Light source |
| (S) | = | Integrating sphere |

Annex 7

Procedure for determining the radius of curvature "r" of the reflecting surface of a mirror

1. Measurement
 - 1.1. Equipment

A "spherometer" similar to the one described in Figure 1 of this annex having the indicated distances between the tracing pin of the dial gauge and the fixed legs of the bar is used.
 - 1.2. Measuring points
 - 1.2.1. The principal radii of curvature shall be measured at three points situated as close as possible to positions at one-third, one-half and two-thirds of the distance along the arc of the reflecting surface passing through the centre of this surface and parallel to segment b, or of the arc passing through the centre of the reflecting surface which is perpendicular to it if this arc is the longer.
 - 1.2.2. Where, owing to the size of the reflecting surface, it is impossible to obtain measurements in the directions defined in paragraph 2.1.2.2.2. of this Regulation, the Technical Services responsible for the tests may take measurements at the said point in two perpendicular directions as close as possible to those prescribed above.

2. Calculation of the radius of curvature "r"

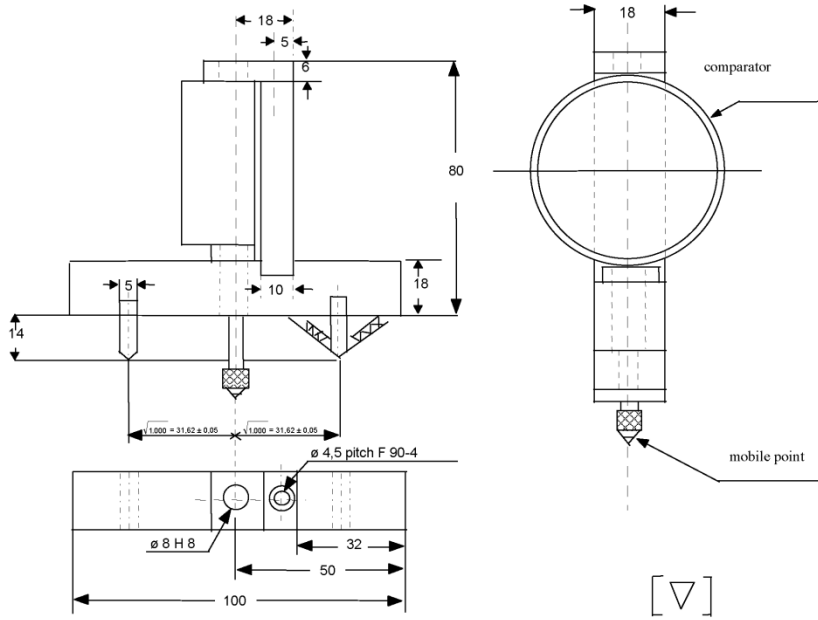
"r" expressed in mm is calculated from the formula:

$$r = \frac{r_p^1 + r_p^2 + r_p^3}{3}$$

Where:

- r_p^1 = the radius of curvature at the first measuring point,
- r_p^2 = the radius of curvature at the second measuring point,
- r_p^3 = the radius of curvature at the third measuring point.

Figure 1
Spherometer



(all dimensions in millimetres)

Annex 8

Procedure for determining the "H" point and the actual torso angle for seating positions in motor vehicles¹

Appendix 1 - Description of the three dimensional "H" point machine (3-D H machine)¹

Appendix 2 - Three-dimensional reference system¹

Appendix 3 - Reference data concerning seating positions¹

¹ The procedure is described in Annex 1 to the Consolidated Resolution on the Construction of Vehicles (R.E.3) (document ECE/TRANS/WP.29/78/Rev.6).
www.unece.org/trans/main/wp29/wp29wgs/wp29gen/wp29resolutions.html

Annex 9

Test methods for close-proximity rear-view field of vision

1. Field of vision

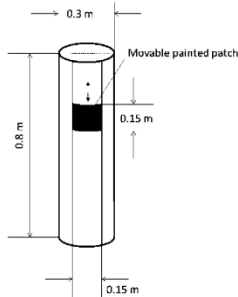
The requirements of field of vision defined in paragraphs 15.2. of this Regulation can be tested under the conditions described in this Annex.

1.1. Test objects

Each test object shall be a right circular cylinder that is 0.8 m high and 0.3 m in external diameter. Each test object shall be marked as follows.

- (a) The test object shall have a painted patch measuring 0.15 m x 0.15 m that can be moved from the bottom to the top of the side of the cylinder.
- (b) The painted patch shall be of a colour that contrasts with both the rest of the cylinder and the test surface.

Figure A
Test object



1.2. Test object locations and orientations

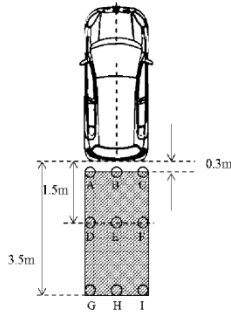
Place the test objects at the locations specified in (a) to (h) and illustrated in Figure B. Measure the distances shown in Figure B from a test object to another test object or other object from the cylindrical centre (axis) of the test object as viewed from above. Each test object shall be oriented so that its axis is vertical.

- (a) Place test objects A, B, and C so that their centres are in a transverse vertical plane that is 0.3 m to the rear of a transverse vertical plane tangential to the rearmost surface of the vehicle.
- (b) Place test object B so that its centre is in a longitudinal vertical plane passing through the vehicle's longitudinal centreline.
- (c) Place test objects D, E, and F so that their centres are in a transverse vertical plane that is 1.5 m to the rear of a transverse vertical plane tangential to the rearmost surface of the vehicle.
- (d) Place test object E so that its centre is in a longitudinal vertical plane passing through the vehicle's longitudinal centreline.
- (e) Place test objects G, H, and I so that their centres are in a transverse vertical plane that is 3.35 m to the rear of a transverse vertical plane tangential to the rearmost surface of the vehicle.
- (f) Place test object H so that its centre is in a longitudinal vertical plane passing through the vehicle's longitudinal centreline.

- (g) Place test objects A, D, and G so that their outermosts are in a longitudinal vertical plane tangential to the left-side outermost surface of the vehicle.
- (h) Place test objects C, F, and I so that their outermosts are in a longitudinal vertical plane tangential to the right-side outermost surface of the vehicle.

Mechanical coupling devices and luggage racks located on the rear of the vehicle shall be disregarded.

Figure B
Test object locations



1.3 Test conditions

1.3.1 Lighting.

The ambient illumination conditions in which testing is conducted consists of light that is evenly distributed from above and is at an intensity of between 7,000 lux and 10,000 lux, as measured at the centre of the exterior surface of the vehicle's roof.

1.3.2. Temperature.

The temperature inside the vehicle during test is any temperature between 15 °C and 25 °C,

1.3.3. Vehicle conditions.

1.3.3.1 Tires.

The vehicle's tires are set to the vehicle manufacturer's recommended cold inflation pressure.

1.3.3.2. Vehicle load.

The vehicle is in running order as defined in the consolidated Resolution on the Construction of vehicles (R.E.3) (ECE/TRANS/WP.29/78/Rev.6, paragraph 2.2.5.4.)

1.3.3.3. Adjustable suspension

If the vehicle is equipped with adjustable suspension system, it shall be set at worst condition.

1.3.3.4. Rear hatch and trunk lids.

If the vehicle is equipped with rear hatches or trunk lids, they are closed and latched in their normal vehicle operating condition.

1.4. Test procedure

The visibility of each pole shall be tested one by one.

- Optionally, one row can be tested at the same time. After successful pole identification, the pole can be removed.
- The poles of the first row (A, B, C) may rotate direction in order to be visible the painted patch as much as possible.
2. System readiness
 - 2.1. Test conditions
 - (a) The vehicle shall be left in a parked parking status until it is ensured that all electronic systems are de-activated; or for a minimum of 30 minutes.
 - (b) It is permissible for the test person or equipment to be already situated within the vehicle.
 - (c) Ensure the vehicle gear selector is in neutral or forward gear.
 - (d) The test may start with opening the driver door. Once the door is opened, it shall be closed again.
 - 2.2. Test procedure
 - (a) Put the vehicle into the active vehicle mode. This action shall initiate/start the first timer.
 - (b) Wait for a minimum of 6 sec
 - (c) Start the backing event by selecting the reverse mode. If it is not possible to put the vehicle into reversing mode 6 sec after being put into active vehicle mode, the backing event shall be started as soon as technically possible.
 - (d) Initiate/start the second timer, in accordance with the manufacturer's specification and no later than when the reverse mode or gear is engaged.
 - (e) Record the response time on second timer until the rear-view is completely visible on the display.
 3. Object size
 - 3.1. Test reference point.

Obtain the test reference point using the following procedure.

 - (a) Locate the centre of the forward-looking eye midpoint (Mf) illustrated in Figure C so that it is 635 mm vertically above the H point (H) and 96 mm aft of the H point.
 - (b) Locate the head/neck joint centre (J) illustrated in Figure C so that it is 100 mm rearward of Mf and 588 mm vertically above the H point. In the case of the head/neck joint centre (J) is not compatible for the vehicle seat configuration, adjust the driver's seat to the midpoint of the longitudinal adjustment range. If the seat cannot be adjusted to the midpoint of the longitudinal adjustment range, the closest adjustment position to the rear of the midpoint shall be used.
 - (c) Draw an imaginary horizontal line between Mf and a point vertically above J, defined as J2.
 - (d) Rotate the imaginary line about J2 in the direction of the rear-view image until the straight-line distance between Mf and the centre of the display used to present the rear-view image required in this standard reaches the shortest possible value.
 - (e) Define this new, rotated location of Mf to be Mr (eye midpoint rotated).
 - 3.1. Measurement procedure.
 - (a) Locate a 35 mm or larger format still camera, video camera, or digital equivalent such that the centre of the camera's image plane is located at

Mr and the camera lens is directed at the centre of the display's rear-view image.

- (b) Affix a ruler at the base of the rear-view image in an orientation perpendicular with a test object cylinder centreline. If the vehicle head restraints obstruct the camera's view of the display, they may be adjusted or removed.
- (c) Photograph the image of the visual display with the ruler included in the frame and the rear-view image displayed.

3.2. Extract photographic data.

- (a) Using the photograph, measure the apparent length, of a 50 mm delineated section of the in-photo ruler, along the ruler's edge, closest to the rear-view image and at a point near the horizontal centre of the rear-view image.
- (b) Using the photograph, measure the horizontal width of the coloured band at the upper portion of each of the three test objects located at positions G, H, and I in Figure B.
- (c) Define the measured horizontal widths of the coloured bands of the three test objects as d_G , d_H , and d_I .

3.3. Obtain scaling factor.

Using the apparent length of the 50 mm portion of the ruler as it appears in the photograph, divide this apparent length by 50 mm to obtain a scaling factor. Define this scaling factor as $scale$.

3.4. Determine viewing distance.

Determine the actual distance from the rotated eye midpoint location (Mr) to the centre of the rear-view image. Define this viewing distance as a_{eye} .

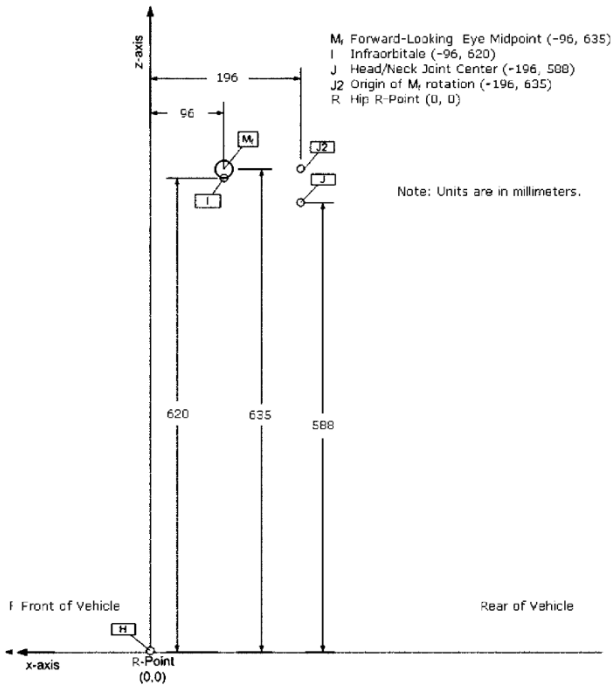
3.5. Calculate visual angle subtended by test objects.

Use the following equation to calculate the subtended visual angles:

$$\theta_i = 60 \sin^{-1} \left(\frac{d_i}{a_{eye} S_{scale}} \right)$$

where i can take on the value of either test object G, H, or I, and arcsine is calculated in units of degrees.

Figure C
Eye Midpoint location (M) in the mid-sagittal plane with respect to R point for forward-looking 50th percentile male driver seated with 25 degree seat back angle



Annex 10

Test methods for detection systems

1. Rear horizontal area detection

Audible warning systems shall fulfil the test as specified in paragraph 1.3.1. in this Annex. However, if audible warning systems fulfil the test as specified in paragraph 1.4. in this Annex, the test as specified in paragraph 1.3.1. in this Annex shall be considered to be satisfied.
- 1.1. Test conditions

The test object shall be as per paragraph 7.1. of ISO 17386:2010. During testing, the wind speed shall not exceed 1 m/s. The temperature shall be $20 \pm 5^\circ\text{C}$ and the humidity shall be 60 ± 25 percent. There shall be no rain or snow. The test shall be performed on a flat, dry asphalt or concrete surface. The test shall not be affected by the reflection of sound waves or electromagnetic waves from any walls, auxiliary testing equipment or any other objects in the environment.
- 1.2. Test preparation

One test object shall be used. The distance from the rear edge to the test object and the position of the test object are selected by the manufacturer to ensure the detection of the test object. The test object shall be located in the detectable grids within the rear horizontal area in 1.3.1. of this annex. The test vehicle in the initial state shall be with the detection system in the activated state, which is declared [by the manufacturer OR in the owner's manual] and shall be in the parking condition. Here, the parking condition means that the P (park) position is selected in the case of vehicles equipped with automatic transmissions, whereas it means the neutral gear being selected and the parking brake being engaged in the case of vehicles equipped with manual transmissions.
- 1.3. Test method
 - 1.3.1. Field of detection

The maximum detection distance in paragraphs 5.4.2. and 5.4.3. of ISO 17386:2010 shall be 1.0 m (Class R2). The width of the rectangle, w_r , is equal to the vehicle width, measured along the rear axle. The dimensions shall be rounded up to the nearest 0,1 m. The figure below gives examples of different w_r . (Figure 1 and 2).

Figure 1
In the case of odd-numbered poles in the vehicle lateral direction (e.g. $w_r=1.67\text{m}$)

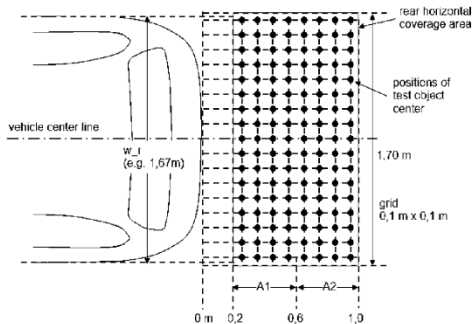
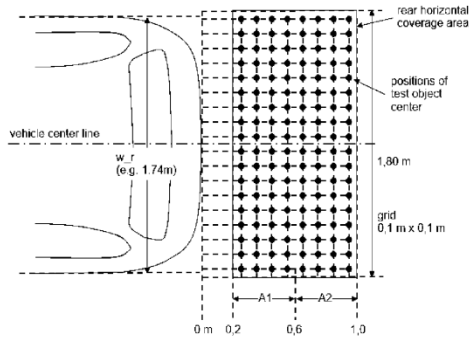


Figure 2
In the case of even-numbered poles in the vehicle lateral direction (e.g. $w_r=1,74\text{m}$)



1.3.2. Minimum detection rate

The minimum detection rate required for the rear horizontal area shall be as follows:

- (a) 90 percent for A1 as defined in paragraph 5.4.3. of ISO 17386:2010;
- (b) 87 percent for the rear-2 range in A2 as defined in paragraph 5.4.3. of ISO 17386:2010.

There shall be no undetected hole larger than a square consisting of two-by-two grids.

Here, the rear horizontal area test procedures shall be as per paragraph 7.3. of ISO 17386:2010.

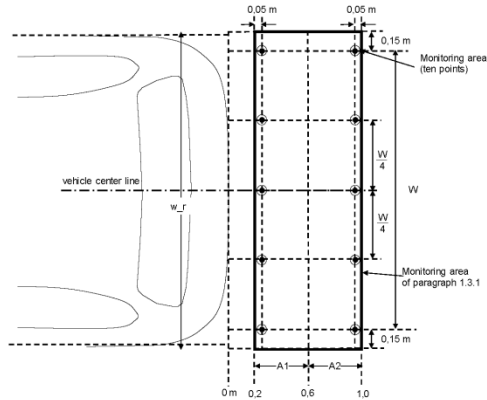
When the warning is provided for more than 5 seconds continuously, it is judged that the test object is detected. The detection test shall be performed 1 time for each test object. However, if necessary, according to the agreement of the Technical Service and manufacturer, it can be judged that the test object is detected in case warnings are provided in 4 out of 5 tests.

1.4 Alternative (simplified) test method

1.4.1. Field of detection

The monitoring areas are the ten points shown in Figure 3 below within the monitoring area of paragraph 1.3.1.

Figure 3



1.4.2. Minimum detection rate

The minimum detection rate required for the area of ten points shall be 100%.

When the warning is provided for more than five seconds continuously, it is judged that the test object is detected. The detection test shall be performed one time for each test object. However, if necessary, according to the agreement of the Technical Service and manufacturer, it can be judged that the test object is detected in case warnings are provided in four out of five tests.

1.4.3. Self-test capabilities and failure indication

As per paragraph 5.5. of ISO 17386:2010, the system shall provide self-test functions. It shall provide system failure information which complies with paragraph 17.2.5. of this Regulation, whenever a fault condition is detected.

2. Response time

2.1. Test conditions

- (a) The vehicle shall be left in a parked parking status until it is ensured that all electronic systems are de-activated; or for a minimum of 30 minutes.
- (b) It is permissible for the test person or equipment to be already situated within the vehicle.
- (c) Ensure the vehicle gear selector is in neutral or forward gear.
- (d) The test may start with opening the driver door. Once the door is opened, it shall be closed again.

2.2. Test procedure

- (a) Place a test object in the required field of detection
- (b) Put the vehicle into the active vehicle mode. This action shall initiate/start the first timer.
- (c) Wait for a minimum of 6 sec
- (d) Start the backing event by selecting the reverse mode. If it is not possible to put the vehicle into reversing mode 6 sec after being put into active vehicle mode, the backing event shall be started as soon as technically possible. Initiate/start the second timer, in accordance with the manufacturer's specification and no later than when the reverse

mode or gear is engaged.

- (c) Record the response time on second timer until information signal is available."
-

[FRENCH TEXT – TEXTE FRANÇAIS]

Nations Unies

ECE/TRANS/WP.29/2020/121


Conseil économique et social

 Distr. générale
 21 août 2020
 Français
 Original : anglais

Commission économique pour l'Europe

Comité des transports intérieurs

**Forum mondial de l'harmonisation
des Règlements concernant les véhicules**
182^e session

Genève, 10-12 novembre 2020

Point 4.13.2 de l'ordre du jour provisoire

Accord de 1958 :
**Examen de propositions de nouveaux Règlements ONU
soumises par le GRSG**

**Proposition de nouveau Règlement ONU énonçant
des prescriptions uniformes relatives à l'homologation
des dispositifs d'aide à la vision et les véhicules à moteur
en ce qui concerne la détection par le conducteur
d'usagers de la route vulnérables derrière
le véhicule lors des manœuvres
en marche arrière**

**Communication du Groupe de travail des dispositions générales
de sécurité***

Le texte ci-après a été adopté par le Groupe de travail des dispositions générales de sécurité à sa 118^e session, tenue en juillet 2020 (voir ECE/TRANS/WP.29/GRSG/97). Il est fondé sur le document ECE/TRANS/WP.29/GRSG/2020/4 tel que modifié par le document GRSG-118-05. Il est soumis au Forum mondial de l'harmonisation des Règlements concernant les véhicules (WP.29) et au Comité d'administration de l'Accord de 1958 (AC.1) pour examen à leurs sessions de novembre 2020.

* Conformément au programme de travail du Comité des transports intérieurs pour 2020 tel qu'il figure dans le projet de budget-programme pour 2020 (A/74/6 (titre V, chap. 20), par. 20.37), le Forum mondial a pour mission d'élaborer, d'harmoniser et de mettre à jour les Règlements ONU en vue d'améliorer les caractéristiques fonctionnelles des véhicules. Le présent document est soumis en vertu de ce mandat.

GE.20-10953 (F) 301020 301020



* 2 0 1 0 9 5 3 *

Merci de recycler



« Règlement ONU n° [XXX] »

**Règlement ONU énonçant des prescriptions uniformes
relatives à l'homologation des dispositifs d'aide à la vision
lors des manœuvres en marche arrière et des véhicules à
moteur en ce qui concerne la détection par le conducteur
d'usagers de la route vulnérables derrière le véhicule**

Table des matières

| <i>Règlement</i> | <i>Page²</i> |
|---|-------------------------|
| 1. Domaine d'application | |
| Première Partie | |
| Dispositifs d'aide à la vision lors des manœuvres en marche arrière | |
| 2. Définitions | |
| 3. Demande d'homologation | |
| 4. Marques | |
| 5. Homologation | |
| 6. Prescriptions | |
| 7. Modification du type de dispositif d'aide à la vision lors des manœuvres en marche arrière et extension de l'homologation | |
| 8. Conformité de la production | |
| 9. Sanctions pour non-conformité de la production | |
| 10. Arrêt définitif de la production | |
| 11. Noms et adresses des services techniques chargés des essais d'homologation et des autorités d'homologation de type | |
| Partie II | |
| Montage des dispositifs d'aide à la vision lors des manœuvres en marche arrière | |
| 12. Définitions | |
| 13. Demande d'homologation | |
| 14. Homologation | |
| 15. Prescriptions | |
| 16. Prescriptions relatives aux systèmes de caméra de vision vers l'arrière | |
| 17. Prescriptions relatives aux systèmes de détection | |
| 18. Modification du type de véhicule et extension de l'homologation | |
| 19. Conformité de la production | |
| 20. Sanctions pour non-conformité de la production | |
| 21. Arrêt définitif de la production | |
| 22. Noms et adresses des services techniques chargés des essais d'homologation et des autorités d'homologation de type | |

¹ Le numéro du présent Règlement ONU sera connu au moment de son entrée en vigueur. [XXX] sera remplacé par le numéro du Règlement le moment venu.

² Les numéros de page seront ajoutés ultérieurement.

Annexes

1. Fiche de renseignements relative à l'homologation de type d'un système d'aide à la vision lors des manœuvres en marche arrière.....
2. Fiche de renseignements relative à l'homologation de type d'un véhicule en ce qui concerne le montage des dispositifs d'aide à la vision lors des manœuvres en marche arrière.....
3. Communication concernant la délivrance, l'extension, le refus, ou le retrait d'homologation ou l'arrêt définitif de la production d'un type de dispositif d'aide à la vision lors des manœuvres en marche arrière en application du Règlement ONU n° [XXX].....
4. Communication concernant la délivrance, l'extension, le refus, ou le retrait d'homologation ou l'arrêt définitif de la production d'un type de véhicule en ce qui concerne le montage des dispositifs d'aide à la vision lors des manœuvres en marche arrière en application du Règlement ONU n° [XXX]
Appendice
5. Exemple de marque d'homologation d'un dispositif de vision indirecte
6. Méthode d'essai pour la détermination de la réflectance
7. Procédure de détermination du rayon de courbure "r" de la surface réfléchissante du rétroviseur
8. Procédure de détermination du point H et de l'angle réel de torse pour les places assises des véhicules à moteur.....
Appendice 1 – Description de la machine tridimensionnelle point "H" (machine 3-D H)
Appendice 2 – Système de référence à trois dimensions
9. Méthodes d'essai concernant le champ de vision vers l'arrière à faible distance.....
10. Méthodes d'essai des systèmes de détection.....

Introduction (pour information)

Le présent Règlement a pour objet d'énoncer les prescriptions applicables aux dispositifs d'aide à la vision lors des manœuvres en marche arrière en ce qui concerne la détection de la présence d'usagers de la route vulnérables à faible distance. Le Règlement ONU n° 46 prévoit des dispositions applicables aux dispositifs de vision indirecte des véhicules. Dans le présent Règlement sont énoncées des prescriptions applicables aux dispositifs de vision ou de détection vers l'arrière du véhicule lors des manœuvres en marche arrière. Il se peut donc que certains dispositifs conformes au Règlement ONU n° 46 soient aussi conformes au présent Règlement.

Les conditions de circulation et les particularités des infrastructures ne peuvent pas toutes être prises en compte pour l'homologation de type dans le cadre du présent Règlement. Il est reconnu que l'efficacité requise par ce Règlement ne peut pas être obtenue dans toutes les circonstances (la vitesse et l'état du véhicule, ainsi que les conditions atmosphériques et de circulation, peuvent avoir des incidences sur l'efficacité du système).

1. Domaine d'application

Le présent Règlement s'applique :

- 1.1 À l'homologation des dispositifs visant à la sûreté des manœuvres en marche arrière définis dans la Partie I, destinés à être installés sur des véhicules des catégories M et N.
- 1.2 À l'homologation du montage sur des véhicules de dispositifs visant à la sûreté des manœuvres en marche arrière définis dans la partie II, lorsqu'ils sont installés sur des véhicules des catégories M et N.
- 1.3 À la demande du constructeur, les Parties contractantes peuvent accorder des homologations en vertu des Parties I et II à des véhicules d'autres catégories et à des dispositifs destinés à être montés sur ces véhicules.
- 1.4 Ne sont pas tenus de satisfaire au présent Règlement les véhicules des catégories M et N ci-après :

Les véhicules pour lesquels l'installation de tout dispositif visant à la sûreté des manœuvres en marche arrière serait incompatible avec leur utilisation sur route peuvent être partiellement ou totalement dispensés de satisfaire aux prescriptions du présent Règlement, sous réserve de la décision de l'autorité d'homologation de type.
- 1.5 Si un véhicule est équipé de dispositifs multiples, le constructeur doit désigner celui qui satisfait aux prescriptions du présent Règlement.

Première Partie Dispositifs d'aide à la vision lors des manœuvres en marche arrière

2. Définitions

Aux fins du présent Règlement, on entend par :

- 2.1 "*Dispositif d'aide à la vision lors des manœuvres en marche arrière*", un dispositif ayant pour fonction d'offrir une vision nette vers l'arrière du véhicule dans les limites des champs de vision définis au paragraphe 15.2. Il peut s'agir de rétroviseurs classiques, de systèmes de caméra de vision vers l'arrière ou d'autres dispositifs capables de fournir au conducteur des informations sur le champ de vision.

- 2.1.1 “Dispositif de vision vers l’arrière à faible distance”, un dispositif qui procure un champ de vision tel que défini au paragraphe 15.2 du présent Règlement.
- 2.1.2 “Dispositif de vision indirecte”, un dispositif qui présente des informations sur les champs de vision définis au paragraphe 15.2.
- 2.1.2.1 “Système de caméra de vision vers l’arrière”, tout système destiné à restituer une image du monde extérieur et à donner une vue nette de l’arrière du véhicule dans les champs de vision définis au paragraphe 15.2, au moyen d’une caméra.
- 2.1.2.1.1 “Contraste de luminance”, le rapport de luminance entre un objet et son arrière-plan ou son environnement immédiat qui permet de distinguer l’objet de cet arrière-plan ou environnement. Cette définition est conforme à la définition donnée dans la norme ISO 9241-302:2008.
- 2.1.2.1.2 “Résolution”, le plus petit détail qui puisse être distingué par un système de perception, c’est-à-dire perçu distinctement par rapport à son environnement. La résolution de l’œil humain est appelée “acuité visuelle”.
- 2.1.2.1.3 “Spectre visuel”, la lumière dont la longueur d’onde se situe dans les limites de perception de l’œil humain (380-780 nm).
- 2.1.2.2 “Rétroviseur pour vision à faible distance”, tout dispositif, à l’exclusion des dispositifs tels que les périscopes, destiné à donner, au moyen d’une surface réfléchissante, une vue dégagée vers l’arrière du véhicule dans les champs de vision définis au paragraphe 15.2.
- 2.1.2.2.1 “ r ”, la moyenne des rayons de courbure mesurés sur la surface réfléchissante selon la méthode décrite à l’annexe 7.
- 2.1.2.2.2 “Rayons de courbure principaux en un point de la surface réfléchissante (r_i)”, les valeurs obtenues avec l’appareil défini à l’annexe 7, mesurées sur l’arc de la surface réfléchissante passant par le centre de cette surface parallèle au segment b tel que défini au paragraphe 6.1.2.1.2 du présent Règlement et sur l’arc perpendiculaire à ce segment.
- 2.1.2.2.3 “Rayon de courbure en un point de la surface réfléchissante (r_p)”, la moyenne arithmétique des rayons de courbure principaux r_1 et r_1' , à savoir :

$$r_p = \frac{r_1 + r_1'}{2}$$

- 2.1.2.2.4 “Surface sphérique”, une surface qui présente un rayon constant et égal dans toutes les directions.
- 2.1.2.2.5 “Surface asphérique”, une surface qui ne présente un rayon constant que dans un seul plan.
- 2.1.2.2.6 “Rétroviseur asphérique”, un rétroviseur composé d’une portion sphérique et d’une portion asphérique, sur lequel la transition entre la portion sphérique et la portion asphérique de la surface réfléchissante doit être marquée. La courbure de l’axe principal du rétroviseur est définie, dans le système de coordonnées x/y, par le rayon de la calotte sphérique primaire selon la formule :

$$y = R - \sqrt{(R^2 - x^2)} + k(x - a)^3$$

où :

R est le rayon nominal de la partie sphérique ;

k est la constante pour la variation de la courbure ;

- a est la constante pour la dimension sphérique de la calotte sphérique primaire.
- 2.1.2.2.7 “*Centre de la surface réfléchissante*”, le barycentre de la zone visible de la surface réfléchissante ;
- 2.1.2.2.8 “*Rayon de courbure des parties constitutives du rétroviseur*”, le rayon “c” de l’arc du cercle qui s’approche le plus de la courbure de la partie considérée.
- 2.1.2.3 “*Autre dispositif de vision indirecte*”, un dispositif tel qu’il est défini au paragraphe 2.1.2 ci-dessus, avec lequel le champ de vision n’est pas obtenu au moyen d’un rétroviseur ou d’un système de caméra de vision vers l’arrière.
- 2.1.3 “*Accessoire d’essai*” un objet cylindrique d’une hauteur de 0,8 m et d’un diamètre de 0,3 m.
- 2.1.4 “*Champ de vision*”, la portion de l’espace tridimensionnel située au-dessus du sol qui est surveillée à l’aide d’un dispositif de vision indirecte. Sauf indication contraire, il s’agit de la zone de vision offerte par un ou des dispositifs autres que des rétroviseurs, qui peut être limitée par la distance de détection pertinente correspondant à celle des accessoires d’essai.
- 2.1.5 “*Système de détection*”, un système qui utilise des signaux permettant au conducteur de détecter des objets dans la zone adjacente au véhicule.
- 2.1.5.1 “*Information sonore*”, une information utilisant des signaux sonores émis par un système de détection tel qu’il est défini au paragraphe 2.1.5 ci-dessus, afin de permettre au conducteur de détecter des objets dans la zone adjacente au véhicule.
- 2.1.5.2 “*Information visuelle*”, une information utilisant des signaux optiques émis par un système de détection tel qu’il est défini au paragraphe 2.1.5 ci-dessus afin de permettre au conducteur de détecter des objets dans la zone adjacente au véhicule.
- 2.1.5.3 “*Information tactile*”, une information utilisant des signaux tactiles émis par un système de détection tel qu’il est défini au paragraphe 2.1.5 ci-dessus afin de permettre au conducteur de détecter des objets dans la zone adjacente au véhicule.
- 2.1.6 “*Champ de détection*”, la portion de l’espace tridimensionnel située au-dessus du sol qui est surveillée à l’aide d’un système de détection.
- 2.2 “*Type de dispositif visant à la sûreté des manœuvres en marche arrière*”, les dispositifs ne présentant pas entre eux de différence notable quant aux caractéristiques essentielles ci-après :
- a) Conception du dispositif, y compris, s’il y a lieu, la fixation à la carrosserie ;
 - b) En ce qui concerne les rétroviseurs, la forme, les dimensions et le rayon de courbure de la surface réfléchissante ;
 - c) En ce qui concerne les systèmes de caméra de vision vers l’arrière, le champ de vision, le grossissement et la résolution ;
 - d) En ce qui concerne les systèmes de détection, le type de capteur et le type de signal d’information.

3. Demande d’homologation

- 3.1 La demande d’homologation d’un type de dispositif de vision indirecte doit être soumise par le détenteur de la marque de fabrique ou de commerce ou son représentant dûment accrédité.

- 3.2 Un modèle de fiche de renseignements est présenté à l'annexe 1.
- 3.3 Pour chaque type de dispositif de vision indirecte, la demande doit être accompagnée de trois échantillons.
- 3.4 Le système de caméra de vision vers l'arrière doit être fourni par le demandeur avec les documents ci-après :
- a) Caractéristiques techniques du système de caméra de vision vers l'arrière ; et
 - b) Manuel d'utilisation.

4. Marques

- 4.1 Les échantillons de dispositifs de vision indirecte présentés à l'homologation doivent porter la marque de fabrique ou de commerce du fabricant, inscrite de manière nettement lisible et indélébile.
- 4.2 Chaque dispositif de vision indirecte doit comporter, sur l'un au moins de ses principaux éléments, un emplacement de grandeur suffisante pour recevoir la marque d'homologation, qui doit être lisible ; cet emplacement doit être indiqué sur les dessins mentionnés à l'annexe 1. La marque d'homologation doit aussi être lisible lorsque le dispositif est monté sur le véhicule, sauf dans le cas des systèmes de caméra de vision vers l'arrière tels que définis au paragraphe 2.1.2 ou des systèmes de détection tels que définis au paragraphe 2.1.5. Les autres éléments du dispositif doivent porter un moyen d'identification. Si l'emplacement prévu pour la ou les marque(s) d'homologation est trop restreint, il convient de fournir d'autres moyens d'identification permettant d'établir un lien avec la marque d'homologation.

5. Homologation

- 5.1 Si les échantillons présentés à l'homologation satisfont aux prescriptions du paragraphe 6 du présent Règlement, l'homologation pour le type de dispositif de vision indirecte considéré doit être accordée.
- 5.2 Chaque type homologué reçoit un numéro d'homologation dont les deux premiers chiffres (actuellement 00) indiquent la série d'amendements correspondant aux plus récentes modifications techniques majeures apportées au Règlement à la date de délivrance de l'homologation. La même Partie contractante ne peut pas attribuer ce même numéro à un autre type de dispositif de vision indirecte.
- 5.3 L'homologation ou le refus, l'extension ou le retrait d'homologation ou encore l'arrêt définitif de la production d'un type de dispositif de vision indirecte en application du présent Règlement doit être notifié aux Parties à l'Accord qui appliquent ledit Règlement au moyen d'une fiche conforme au modèle figurant à l'annexe 3 du présent Règlement.
- 5.4 Sur l'un au moins des principaux éléments de tout dispositif de vision indirecte conforme à un type homologué en application du présent Règlement, il doit être apposé, de manière bien visible, à l'emplacement mentionné au paragraphe 4.2 ci-dessus, en plus de la marque prescrite au paragraphe 4.1, une marque d'homologation internationale composée :

- 5.4.1 D'un cercle à l'intérieur duquel figure la lettre "E", suivie :
- Du numéro distinctif du pays qui a accordé l'homologation³ ;
 - Du numéro du présent Règlement, suivi de la lettre "R", d'un tiret et du numéro d'homologation.
- 5.5 La marque d'homologation et le ou les symboles additionnels doivent être bien lisibles et indélébiles.
- 5.6 À l'annexe 5 du présent Règlement est donné un exemple de la marque d'homologation et du symbole additionnel mentionnés ci-dessus.

6. Prescriptions

- 6.1 Rétroviseurs de vision à faible distance
- 6.1.1 Prescriptions générales
- 6.1.1.1 Tous les rétroviseurs peuvent être réglables.
- 6.1.2 Prescriptions particulières
- 6.1.2.1 Dimensions
- 6.1.2.1.1 La surface réfléchissante doit être de dimensions telles qu'elle offre le champ de vision prescrit au paragraphe 15.2 du présent Règlement, et son contour doit être de forme géométrique simple.
- 6.1.2.1.2 Les dimensions de la surface réfléchissante doivent être telles qu'il soit possible d'y inscrire :
- Un rectangle de 40 mm de haut dont la longueur à la base, mesurée en millimètres, a la valeur "a" ;
 - Un segment parallèle à la hauteur du rectangle et dont la longueur, exprimée en millimètres, a la valeur "b".
- 6.1.2.2 Surface réfléchissante et facteurs de réflexion
- 6.1.2.2.1 La surface réfléchissante d'un rétroviseur doit être plane ou sphérique convexe. Les rétroviseurs extérieurs peuvent être munis d'une partie asphérique supplémentaire à condition que le rétroviseur principal satisfasse aux prescriptions concernant le champ de vision indirecte.
- 6.1.2.2.2 Différences de rayons de courbure des rétroviseurs
- 6.1.2.2.2.1 La différence entre r_1 ou r'_1 et r_p à chaque point de référence ne doit pas dépasser 0,15 r.
- 6.1.2.2.2.2 La différence entre chacun des rayons de courbure (r_{p1} , r_{p2} et r_{p3}) et r ne doit pas dépasser 0,15 r.
- 6.1.2.2.2.3 Lorsque r est égal ou supérieur à 3 000 mm, la valeur de 0,15 r mentionnée aux paragraphes 6.1.2.2.2.1 et 6.1.2.2.2.2 ci-dessus est portée à 0,25 r.
- 6.1.2.2.3 La valeur du facteur de réflexion normal, déterminée selon la méthode décrite à l'annexe 6, ne doit pas être inférieure à 40 %.
- Dans le cas de surfaces réfléchissantes à degré de réflexion variable, la position "jour" doit permettre de reconnaître les couleurs des signaux utilisés pour la circulation routière. La valeur du facteur de réflexion normal en position "nuit" ne doit pas être inférieure à 4 %.

³ Les numéros distinctifs des Parties contractantes à l'Accord de 1958 sont indiqués à l'annexe 3 de la Résolution d'ensemble sur la construction des véhicules (R.E.3), document ECE/TRANS/WP.29/78/Rev.6 (www.unece.org/trans/main/wp29/wp29wgs/wp29gen/wp29resolutions.html).

- 6.1.2.2.4 La surface réfléchissante doit conserver les caractéristiques énoncées au paragraphe 6.1.2.2.3 ci-dessus même en cas d'exposition prolongée à des conditions météorologiques défavorables dans le cadre d'une utilisation normale.
- 6.2 Dispositifs de vision vers l'arrière à faible distance autres que les rétroviseurs
- 6.2.1 Prescriptions générales
- 6.2.1.1 L'efficacité du système de caméra de vision vers l'arrière et des autres dispositifs de vision vers l'arrière à faible distance ne doit pas être affectée par des champs magnétiques ou électriques. Cela doit être démontré par le respect des prescriptions techniques et des dispositions transitoires énoncées dans la série 05 d'amendements ou toute série d'amendements ultérieure au Règlement ONU n° 10.

7. **Modification du type de dispositif d'aide à la vision lors des manœuvres en marche arrière et extension de l'homologation**

- 7.1 Toute modification apportée à un type de dispositif de vision indirecte existant, y compris sa fixation à la carrosserie, doit être portée à la connaissance de l'autorité d'homologation de type qui a accordé l'homologation de type à ce dispositif. L'autorité d'homologation de type doit alors :
- a) Décider, en consultation avec le fabricant, qu'il convient d'accorder une nouvelle homologation de type ; ou
 - b) Appliquer la procédure prévue au paragraphe 7.1.1 (Révision) et, le cas échéant, la procédure prévue au paragraphe 7.1.2 (Extension).
- 7.1.1 Révision
- Lorsque des renseignements consignés dans le dossier d'information ont changé et que l'autorité d'homologation de type considère que les modifications apportées ne risquent pas d'avoir de conséquences négatives notables, et qu'en tout cas le dispositif de vision indirecte continue de satisfaire aux prescriptions, la modification doit être considérée comme une "révision".
- En pareil cas, l'autorité d'homologation de type doit publier de nouveau, selon que de besoin, les pages révisées du dossier d'information, en faisant clairement apparaître sur chacune d'elles la nature des modifications et la date de republication. Une version récapitulative et actualisée du dossier d'information, accompagnée d'une description détaillée de la modification, est réputée satisfaire à cette exigence.
- 7.1.2 Extension
- La modification doit être considérée comme une "extension" si, outre les modifications apportées aux renseignements consignés dans le dossier d'information :
- a) D'autres contrôles ou essais sont nécessaires ; ou
 - b) Une des informations figurant dans la fiche de communication (à l'exception des pièces jointes) a été modifiée ; ou
 - c) L'homologation en vertu d'une série d'amendements ultérieure est demandée après son entrée en vigueur.
- 7.2 La confirmation de l'homologation ou le refus d'homologation, avec indication des modifications, doivent être notifiés aux Parties à l'Accord appliquant le présent Règlement suivant la procédure indiquée au

paragraphe 5.3 ci-dessus. En outre, la liste des pièces constituant le dossier d'homologation, annexée à la fiche de communication, doit être modifiée en conséquence pour que soit indiquée la date de la révision ou extension la plus récente.

- 7.3 L'autorité d'homologation de type ayant délivré l'extension d'homologation doit attribuer un numéro de série à chaque fiche de communication établie pour une telle extension.

8. Conformité de la production

- 8.1 La procédure de contrôle de la conformité de la production doit être conforme aux dispositions formulées dans l'appendice 1 de l'Accord (E/ECE/TRANS/505/Rev.3).
- 8.2 Tout dispositif de vision indirecte homologué en vertu du présent Règlement doit être fabriqué de façon à être conforme au type homologué et à satisfaire aux prescriptions du paragraphe 6 ci-dessus.

9. Sanctions pour non-conformité de la production

- 9.1 L'homologation délivrée pour un type de dispositif de vision indirecte en vertu du présent Règlement peut être retirée si les prescriptions énoncées au paragraphe 8.1 ci-dessus ne sont pas respectées ou si le dispositif ne satisfait pas aux dispositions du paragraphe 8.2 ci-dessus.
- 9.2 Si une Partie contractante à l'Accord appliquant le présent Règlement retire une homologation qu'elle avait précédemment accordée, elle doit en informer aussitôt les autres Parties contractantes appliquant le Règlement par l'envoi d'une copie de la fiche de communication portant à la fin, en gros caractères, la mention signée et datée "HOMOLOGATION RETIRÉE".

10. Arrêt définitif de la production

Si le détenteur d'une homologation cesse totalement la production d'un type de dispositif de vision indirecte homologué conformément au présent Règlement, il doit en informer l'autorité d'homologation de type ayant délivré l'homologation, qui, à son tour, doit en aviser les autres Parties à l'Accord appliquant le présent Règlement par l'envoi d'une copie de la fiche d'homologation portant à la fin, en gros caractères, la mention signée et datée "PRODUCTION ARRÊTÉE".

11. Noms et adresses des services techniques chargés des essais d'homologation et des autorités d'homologation de type

Les Parties à l'Accord appliquant le présent Règlement doivent communiquer au Secrétariat de l'Organisation des Nations Unies les noms et adresses des services techniques chargés des essais d'homologation et ceux des autorités d'homologation de type qui délivrent l'homologation et auxquelles doivent être envoyées les fiches d'homologation ou d'extension, de refus ou de retrait d'homologation émises dans les autres pays.

Partie II

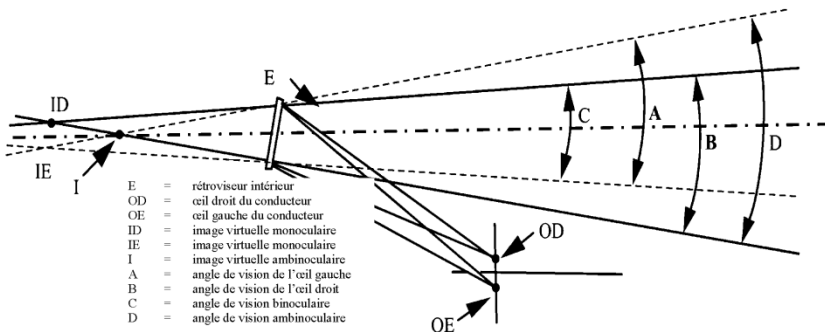
Montage des dispositifs d'aide à la vision lors des manœuvres en marche arrière

12. Définitions

Aux fins du présent Règlement, on entend par :

- 12.1 “Points oculaires du conducteur”, deux points distants de 65 mm et situés à 635 mm verticalement au-dessus du point R relatif à la place du conducteur tel qu’il est défini à l’annexe 8. La droite qui joint ces points est perpendiculaire au plan vertical longitudinal médian du véhicule. Le milieu du segment joignant les deux points oculaires est situé dans un plan vertical longitudinal qui doit passer par le centre de la place assise du conducteur, tel que défini par le constructeur.
- 12.2 “Vision ambinoculaire”, le champ de vision total obtenu par superposition des champs monoculaires de l’œil droit et de l’œil gauche (voir fig. 2 ci-dessous).

Figure 2



- 12.3 “Type de véhicule en ce qui concerne la détection par le conducteur de la présence d’usagers de la route vulnérables derrière son véhicule”, des véhicules à moteur qui sont identiques quant aux éléments essentiels ci-après :
- 12.3.1 Type de dispositif d’aide à la vision lors des manœuvres en marche arrière ;
- 12.3.2 Caractéristiques de la carrosserie réduisant le champ de vision ;
- 12.3.3 Coordonnées du point R (le cas échéant) ;
- 12.3.4 Emplacements prescrits et marques d’homologation de type des dispositifs de vision indirecte obligatoires et en option (si installés) ;
- 12.4 “Véhicules des catégories M_1 , M_2 , M_3 , N_1 , N_2 et N_3 ”, les véhicules tels que définis dans la Résolution d’ensemble sur la construction des véhicules (R.E.3) (document ECE/TRANS/WP.29/78/Rev.6) ;
- 12.5 “Point de référence oculaire”, le point situé au milieu des points oculaires du conducteur ;
- 12.6 “Manœuvre en marche arrière”, le laps de temps pendant lequel le véhicule se déplace en marche arrière selon la définition du paragraphe 15.1.1 du présent Règlement ;

- 12.7 “Points oculaires du conducteur regardant vers l’arrière”, deux points situés à 96 mm longitudinalement vers l’arrière, à 158 mm horizontalement à l’intérieur de la direction du centre du véhicule et à 6 mm verticalement au-dessus des “points oculaires du conducteur” décrits au paragraphe 12.1.
- 12.8 “Mode actif du véhicule”, le mode de commande du véhicule lorsque :
- Le groupe motopropulseur met en mouvement le véhicule, le système de freinage étant desserré et, dans certains cas, une pression étant exercée sur la pédale d’accélérateur (ou une commande équivalente étant activée).

13. Demande d’homologation

- 13.1 La demande d’homologation d’un type de véhicule en ce qui concerne le montage des dispositifs de vision indirecte doit être présentée par le constructeur du véhicule ou son représentant dûment accrédité.
- 13.2 Un modèle de fiche de renseignements figure à l’annexe 2.
- 13.3 Un véhicule représentatif du type de véhicule à homologuer doit être présenté au service technique chargé des essais d’homologation.
- 13.4 L’autorité d’homologation de type doit vérifier l’existence de dispositions satisfaisantes garantissant un contrôle efficace de la conformité de la production avant d’accorder l’homologation de type.
- 13.5 Le système de caméra de vision vers l’arrière doit être fourni par le demandeur avec les documents suivants :
- a) Caractéristiques techniques du système de caméra de vision vers l’arrière ;
 - b) Manuel d’utilisation.

14. Homologation

- 14.1 Lorsque le type de véhicule présenté à l’homologation conformément aux dispositions du paragraphe 13 ci-dessus satisfait aux dispositions du paragraphe 15 du présent Règlement, l’homologation pour ce type de véhicule doit être accordée.
- 14.2 Chaque homologation comporte l’attribution d’un numéro d’homologation dont les deux premiers chiffres (actuellement 00 pour le Règlement dans sa forme originale) indiquent la série d’amendements correspondant aux plus récentes modifications techniques majeures apportées au Règlement à la date de délivrance de l’homologation. Une même Partie contractante ne peut pas attribuer ce numéro à un autre type de véhicule.
- 14.3 L’homologation ou le refus ou l’extension ou le retrait d’homologation ou l’arrêt définitif de la production d’un type de véhicule en application du présent Règlement est notifié aux Parties à l’Accord appliquant le Règlement au moyen d’une fiche conforme au modèle figurant à l’annexe 4 du présent Règlement.

15. Prescriptions

- 15.1 Dispositions générales
- Aux fins du présent Règlement, le véhicule doit satisfaire aux prescriptions suivantes :
- Lors d’une épreuve de marche arrière, le conducteur doit disposer d’au moins un moyen de vision ou de détection.

Les moyens de vision offrent un champ de vision vers l'arrière à faible distance tel que défini au paragraphe 15.2 ci-dessous. Les moyens possibles sont les suivants :

- a) Vision directe ;
- b) Dispositifs homologués conformément au Règlement ONU n° 46 ;
- c) Rétroviseur de vision à faible distance conforme au présent Règlement ;
- d) Système de caméra de vision vers l'arrière conforme au présent Règlement.

Les moyens de détection fournissent une information différente de celle offerte par la vision pour le champ de détection tel que défini au paragraphe 15.3 ci-dessous. Les moyens possibles sont :

- a) Un système de détection conforme au présent Règlement.

15.1.1 Une manœuvre en marche arrière commence lorsque le véhicule est en mode "véhicule actif" et que le sélecteur de vitesses du véhicule est transféré d'une des positions "marche avant", "stationnement" ou "point mort" en position "marche arrière" par le conducteur ou un système, et s'achève lorsqu'est remplie, en marche avant, l'une des conditions suivantes, au choix du constructeur :

- a) Le véhicule a atteint une vitesse \leq à 16 km/h (y compris 0 km/h) ;
- b) Le véhicule a parcouru une distance \leq à 10 m (y compris 0 m) ;
- c) Au bout d'une période \leq à 10 s (y compris 0 s) ;
- d) Le sélecteur de vitesses du véhicule n'est pas placé dans la position de marche arrière.

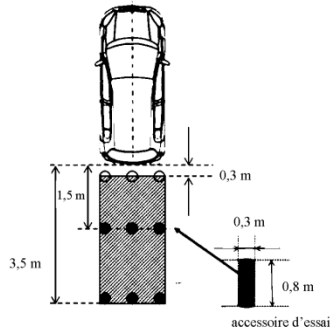
15.2 Champ de vision vers l'arrière à faible distance

Le champ de vision est limité par les plans suivants :

- a) Un plan vertical transversal passant par un point situé à 0,3 m du point arrière extrême du véhicule ;
- b) Un plan vertical transversal passant par un point situé à 3,5 m en arrière du point arrière extrême du véhicule ;
- c) Deux plans verticaux longitudinaux parallèles au plan vertical longitudinal médian, chacun passant par l'un des deux points latéraux extrêmes du véhicule.

La hauteur du champ de vision est définie en neuf points à l'intérieur des limites du champ de vision au moyen d'accessoires d'essai d'une hauteur de 0,8 m et d'un diamètre de 0,3 m, disposés sur le plan du sol comme indiqué dans la figure 3 ci-dessous.

Figure 3
Champ de vision vers l'arrière à faible distance



15.2.1 Prescriptions

Lors d'un essai effectué dans les conditions définies à l'annexe 9, la prescription relative au champ de vision arrière à faible distance est considérée comme satisfaite si, dans le champ de vision défini :

- a) En ce qui concerne les accessoires d'essai de la première rangée (accessoires A, B et C) :
Une zone de $0,15 \text{ m} \times 0,15 \text{ m}$ où le sommet des accessoires est visible à au moins un emplacement pour chacun des accessoires ;
- b) En ce qui concerne les accessoires de la deuxième rangée (accessoires D, E et F) et de la troisième rangée (accessoires G, H et I) :
Chaque accessoire est vu dans son intégralité.

- 15.2.1.1 Par la vue directe du conducteur regardant vers l'arrière ; ou
- 15.2.1.2 Par la vue directe du conducteur regardant vers l'arrière, assistée par un rétroviseur de vision à faible distance installé à l'arrière du véhicule ; ou
- 15.2.1.3 Au moyen d'un dispositif de vision indirecte (rétroviseur ou système de caméra de vision vers l'arrière ou autre) homologué conformément au Règlement ONU n° 46 ; ou
- 15.2.1.4 Au moyen d'un dispositif de vision indirecte (rétroviseur ou système de caméra de vision vers l'arrière ou autre) conforme au présent Règlement ; ou
- 15.2.1.5 Au moyen d'un dispositif de détection satisfaisant aux prescriptions du présent Règlement sauf en ce qui concerne le champ de détection (par exemple, très courte portée) ; ou
- 15.2.1.6 Au moyen d'une combinaison des dispositifs visés aux paragraphes 15.2.1.3, 15.2.1.4 et 15.2.1.5, à l'exclusion d'une combinaison d'un système de caméra de vision vers l'arrière et de rétroviseur(s) ou d'un rétroviseur de vision à faible distance.
- 15.2.1.7 Les options 15.2.1.1 et 15.2.1.2 ne s'appliquent qu'aux véhicules des catégories M_1 et N_1 , lorsque la distance entre le point oculaire regardant vers l'arrière et l'extrémité arrière du véhicule ne dépasse pas [2 000] mm et lorsque le véhicule a une seule rangée de sièges.
- 15.2.2 Le champ de vision vers l'arrière à faible distance doit être défini en vision ambinoculaire, les yeux étant situés aux points oculaires du conducteur tels que définis au paragraphe 12.1 ci-dessus. Les champs de vision doivent être

déterminés lorsque le véhicule est en ordre de marche tel que défini dans la Résolution d'ensemble sur la construction des véhicules (R.E.3) (ECE/TRANS/WP.29/78/Rev.6, par. 2.2.5.4), plus, pour les véhicules M₁ et N₁, un passager sur le siège avant (75 kg). Lorsque le champ de vision est établi à travers un vitrage, le facteur de transmission lumineuse total de celui-ci doit être conforme aux prescriptions énoncées à l'annexe 24 du Règlement ONU n° 43.

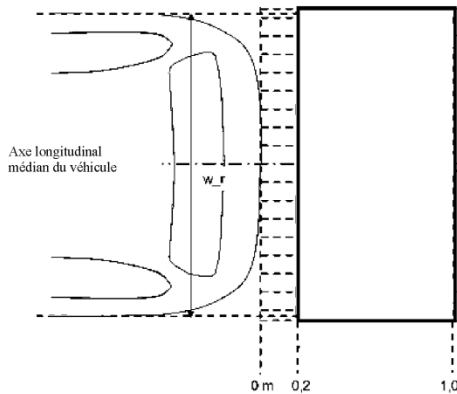
Dans le cas de la vision directe depuis les points oculaires du conducteur regardant vers l'arrière, la position verticale des appuie-tête des sièges arrière doit être réglée à la position prévue d'utilisation ou à la position la plus haute si l'appuie-tête a plusieurs positions ou à la position convenue avec le service technique.

- 15.2.3 Dans le cas d'une combinaison de dispositifs, les accessoires d'essai de chaque rangée transversale doivent être vus au moyen d'un même dispositif. Le champ de vision vers l'arrière à faible distance doit être obtenu à partir du nombre minimal de rétroviseurs et d'écrans.
- 15.2.4 Dans le cas d'un rétroviseur comportant plusieurs surfaces réfléchissantes qui soit sont de courbure différente, soit font un angle entre elles, au moins une de ces surfaces doit offrir le champ de vision et avoir les dimensions spécifiées pour la classe à laquelle le rétroviseur appartient.
- 15.3 Champ de détection

Le champ de détection est délimité par les plans suivants (voir fig. 4) :

- Un plan vertical transversal passant par un point situé à 200 mm du point le plus éloigné de l'arrière du véhicule ;
- Un plan vertical transversal passant par un point situé à 1 000 mm derrière le point le plus éloigné de l'arrière du véhicule ;
- Deux plans verticaux longitudinaux parallèles au plan vertical longitudinal médian, chacun passant par l'un des deux points latéraux extrêmes du véhicule.

Figure 4
Champ de détection



- 15.3.1 Lors d'un essai effectué dans les conditions définies à l'annexe 10, la prescription relative au champ de détection est considérée comme satisfaite si les informations définies au paragraphe 17.2 sont fournies au conducteur.
- 15.4 Dispositifs d'aide à la vision lors des manœuvres en marche arrière
- 15.4.1 Emplacement
- 15.4.1.1 Les dispositifs de vision indirecte doivent être placés de manière à permettre au conducteur, assis sur son siège dans la position normale de conduite, d'avoir une vision claire de la route vers l'arrière, les côtés et l'avant du véhicule.
- 15.4.1.2 Pour tout véhicule qui, lors de la mesure du champ de vision, est à l'état de châssis cabine, les largeurs minimale et maximale de la carrosserie doivent être déclarées par le constructeur et, si nécessaire, simulées par des panneaux simulant la cloison avant du compartiment de charge. Toutes les configurations de véhicule et de dispositifs de vision indirecte prises en considération lors des essais doivent être indiquées sur le certificat d'homologation d'un type de véhicule en ce qui concerne l'installation des dispositifs de vision indirecte (voir annexe 4).
- 15.4.1.3 Le dépassement des dispositifs de vision indirecte par rapport à la carrosserie du véhicule ne doit pas sensiblement excéder ce qui est nécessaire pour que soient respectées les prescriptions relatives aux champs de vision.
- 15.4.1.4 Les dispositifs de vision indirecte doivent être fixés de manière telle qu'ils ne puissent se déplacer au point de modifier sensiblement le champ de vision tel qu'il a été mesuré, ou vibrer au point que le conducteur puisse interpréter de manière erronée l'image perçue.

16. Prescriptions relatives aux systèmes de caméra de vision vers l'arrière

- 16.1 Vue par défaut
- En vue par défaut, le système de caméra de vision vers l'arrière doit montrer au moins le champ de vision défini au paragraphe 15.2.
- Le système de caméra de vision vers l'arrière doit passer en vue vers l'arrière par défaut au début de chaque manœuvre en marche arrière, quelle que soit la modification du champ de vision précédemment sélectionnée par le conducteur.
- 16.1.1 Taille des accessoires
- Lorsque l'image en vue vers l'arrière est mesurée conformément au paragraphe 3 de l'annexe 9 :
- a) L'angle visuel calculé sous-tendu par la largeur horizontale des trois accessoires d'essai de la dernière rangée spécifiée au paragraphe 15.2 doit mesurer en moyenne au moins 5 min d'arc ; et
 - b) Aucun accessoire d'essai ne doit mesurer moins de 3 min d'arc.
- 16.1.1.1 Réglage de la luminance et du contraste
- Si un réglage manuel de la luminance ou du contraste est possible, le manuel d'utilisation doit indiquer comment procéder.
- 16.1.1.2 Prescriptions concernant les surimpressions dans le champ de vision prescrit
- Les surimpressions ne doivent donner que des informations visuelles relatives à la conduite en marche arrière ou des informations relatives à la sécurité. Les surimpressions à d'autres fins d'information dans le champ de vision prescrit ne sont pas autorisées.

Les surimpressions activées manuellement sont autorisées uniquement lorsque le conducteur doit activer une fonction liée à la conduite en marche arrière ou à la sécurité (par exemple, le nettoyage de la lentille ou l'activation de la vue de l'attelage de la remorque) ou lorsqu'il a besoin d'informations spécifiques dans un tel contexte. Le conducteur peut avoir la possibilité d'arrêter la surimpression.

- 16.1.1.3 Désactivation
- L'image en vue vers l'arrière doit rester visible pendant la manœuvre en marche arrière jusqu'à ce que le conducteur change de vue, ou jusqu'à ce que le sélecteur de vitesses ne soit plus en position "marche arrière".
- "Changer de vue" signifie passer à toute autre vue transmise par la caméra.
- La vue peut être désactivée manuellement lorsque le véhicule n'est pas en train de reculer.
- Le système peut être désactivé lorsque le véhicule détecte une connexion avec un dispositif d'attelage.
- 16.1.1.4 Changement automatique de vue
- En cas de risque de collision, le champ de vision peut se concentrer sur la zone de collision. Il faut apporter la preuve au service technique que cette modification de la vue augmente la sécurité.
- Lorsque le véhicule ne se déplace pas en ligne droite, le champ de vision peut se modifier en fonction de la trajectoire du véhicule.
- 16.1.2 Disponibilité opérationnelle (disponibilité du système)
- Le conducteur doit pouvoir percevoir facilement le non-fonctionnement du système (par exemple défaillance du système de caméra de vision vers l'arrière, indiquée soit par un signal d'avertissement, soit par l'affichage d'informations, soit par l'absence d'indicateur d'état). L'information donnée au conducteur doit être expliquée dans le manuel d'utilisation.
- 16.1.2.1 Temps de réaction
- L'image en vue vers l'arrière répondant aux prescriptions énoncées au paragraphe 15.2 doit être affichée au plus tard 2,0 s après le début de l'épreuve de marche arrière effectuée conformément au paragraphe 2 de l'annexe 9.
- 16.1.3 Écran à l'intérieur du véhicule
- 16.1.3.1 La surface de l'écran doit être visible sans obstruction à partir du point de référence oculaire. Un essai virtuel est acceptable.
- 16.1.4 L'effet d'obstruction du champ de vision directe du conducteur découlant de l'installation d'un dispositif de vision indirecte doit être réduit au minimum.
- 16.2 Les véhicules peuvent être munis de dispositifs complémentaires de vision indirecte.
- 16.3 Nonobstant les dispositions ci-dessus, tout autre type de modèle doit faire l'objet d'une démonstration à la satisfaction du service technique dans le cadre du concept de sécurité conforme aux dispositions ci-dessus.

17. Prescriptions relatives aux systèmes de détection

- 17.1 Activation du système
- Le système doit être activé dès que commence la manœuvre en marche arrière. S'il ne fonctionne pas correctement, soit il doit s'arrêter

- automatiquement, soit le conducteur doit avoir la possibilité de le désactiver manuellement.
- Le système de détection doit rester actif tant que le sélecteur de vitesses du véhicule est sur la position "marche arrière".
- Si le véhicule est capable de détecter une connexion avec un dispositif d'attelage, le système peut être désactivé.
- 17.2 Interface avec le conducteur et stratégie de présentation des informations
- 17.2.1 Le système doit être capable d'émettre au moins deux types de signaux d'information parmi trois types possibles (sonore, visuel ou tactile).
- 17.2.1.1 Tant que l'un des signaux d'information reste actif, les autres peuvent être désactivés manuellement par le conducteur.
- 17.2.2 Signal sonore
- Lorsque le système détecte un objet dans une zone horizontale à l'arrière du véhicule, comme indiqué au paragraphe 1.3 de l'annexe 10, alors que la marche arrière est sélectionnée ou enclenchée, il émet un signal sonore conforme à la norme ISO 15006:2011.
- Le signal émis peut changer de ton en fonction de la distance (deux niveaux ou plus). Les zones différenciées par niveaux (distance) et amplitude de détection peuvent être signalées par un changement de la fréquence du signal sonore intermittent. Ce signal doit s'accélérer ou devenir continu lorsque la distance se réduit.
- 17.2.3 Durée de l'émission du signal
- Le signal est émis aussi longtemps qu'un objet est détecté et s'arrête dès que l'objet n'est plus détecté ou lorsque le système est désactivé.
- Afin de ne pas gêner le conducteur, le signal sonore peut être suspendu automatiquement au bout d'un laps de temps fixé par le constructeur, à condition que le système reste activé. En cas de suspension automatique, si le véhicule se rapproche de l'objet, le signal doit automatiquement être à nouveau émis. À l'inverse, si le véhicule s'en éloigne, le signal reste suspendu.
- 17.2.4 Signal visuel
- Dans le cas où le signal visuel est placé sur un écran utilisé pour d'autres informations, telles que l'affichage de groupes de compteurs ou autres, la surimpression est autorisée et doit être conforme aux prescriptions relatives à la surimpression en ce qui concerne les systèmes de caméra de vision vers l'arrière figurant au point 16.1.1.2 du présent Règlement.
- 17.2.5 Disponibilité fonctionnelle (disponibilité du système)
- Le conducteur doit pouvoir percevoir facilement le non-fonctionnement du système (par exemple défaillance du système de détection, indiquée par un signal d'avertissement, par l'affichage d'informations, par un écran noir ou par l'absence d'indicateur d'état). L'information donnée au conducteur doit être expliquée dans le manuel d'utilisation.
- 17.3 Efficacité de la détection d'objets
- 17.3.1 Temps de réaction
- Au moins un des signaux d'information sonores ou tactiles conformes aux prescriptions énoncées au point 17.2 doit être émis à l'intention du conducteur au plus tard 0,6 s après le début de la manœuvre en marche arrière, lorsque celle-ci est mise à l'essai conformément au paragraphe 2 de l'annexe 10.

18. Modification du type de véhicule et extension de l'homologation

18.1 Toute modification du type de véhicule doit être portée à la connaissance de l'autorité d'homologation de type qui a accordé l'homologation de type à ce véhicule. L'autorité d'homologation de type doit alors :

- a) Décider, en consultation avec le constructeur, qu'il convient d'accorder une nouvelle homologation de type ; ou
- b) Appliquer la procédure prévue au paragraphe 18.1.1 (Révision) et, le cas échéant, la procédure prévue au paragraphe 18.1.2 (Extension).

18.1.1 Révision

Lorsque des renseignements consignés dans le dossier d'information ont changé et que l'autorité d'homologation de type considère que les modifications apportées ne risquent pas d'avoir de conséquences négatives notables, et qu'en tout cas le véhicule continue de satisfaire aux prescriptions, la modification doit être considérée comme une "révision".

En pareil cas, l'autorité d'homologation de type doit publier de nouveau, selon que de besoin, les pages révisées du dossier d'information, en faisant clairement apparaître sur chacune d'elles la nature des modifications et la date de republication. Une version récapitulative et actualisée du dossier d'information, accompagnée d'une description détaillée de la modification, est réputée satisfaisante à cette exigence.

18.1.2 Extension

La modification doit être considérée comme une "extension" si, outre les modifications apportées aux renseignements consignés dans le dossier d'information :

- a) D'autres contrôles ou essais sont nécessaires ; ou
- b) Une des informations figurant sur la fiche de communication (à l'exception des pièces jointes) a été modifiée ; ou
- c) L'homologation en vertu d'une série d'amendements ultérieure est demandée après son entrée en vigueur.

18.2 La confirmation de l'homologation ou le refus d'homologation, avec indication des modifications, doit être notifié aux Parties à l'Accord appliquant le présent Règlement par l'envoi d'une fiche conforme au modèle donné à l'annexe 4 au présent Règlement. En outre, la liste des pièces constituant le dossier d'homologation, annexée à la fiche de communication, doit être modifiée en conséquence de manière que soit indiquée la date de la révision ou extension la plus récente.

18.3 L'autorité d'homologation de type ayant délivré l'extension d'homologation doit attribuer un numéro de série à chaque fiche de communication établie pour une telle extension.

19. Conformité de la production

19.1 La procédure de contrôle de la conformité de la production doit être conforme aux dispositions énoncées dans l'appendice 1 de l'Accord (E/ECE/TRANS/505/Rev.3).

19.2 Tout véhicule homologué en vertu du présent Règlement doit être construit de façon à être conforme au type homologué et à satisfaire aux prescriptions du paragraphe 15 et, le cas échéant, du paragraphe 16 et du paragraphe 17 ci-dessus.

20. Sanctions pour non-conformité de la production

- 20.1 L'homologation délivrée pour un type de véhicule en vertu du présent Règlement peut être retirée si la prescription énoncée au paragraphe 19.1 ci-dessus n'est pas respectée ou si le véhicule n'a pas subi avec succès les vérifications prévues au paragraphe 19.2 ci-dessus.
- 20.2 Si une Partie à l'Accord appliquant le présent Règlement retire une homologation qu'elle avait précédemment accordée, elle doit en informer aussitôt les autres Parties contractantes appliquant le Règlement par l'envoi d'une copie de la fiche de communication portant à la fin, en gros caractères, la mention signée et datée "HOMOLOGATION RETIRÉE".

21. Arrêt définitif de la production

Si le détenteur d'une homologation cesse totalement la production d'un type de véhicule homologué conformément au présent Règlement il doit en informer l'autorité d'homologation de type ayant délivré l'homologation, qui, à son tour, doit en aviser les autres Parties à l'Accord appliquant le Règlement par l'envoi d'une copie de la fiche d'homologation portant à la fin, en gros caractères, la mention signée et datée "PRODUCTION ARRÊTÉE".

22. Noms et adresses des services techniques chargés des essais d'homologation et des autorités d'homologation de type

Les Parties à l'Accord appliquant le présent Règlement doivent communiquer au Secrétariat de l'Organisation des Nations Unies les noms et adresses des services techniques chargés des essais d'homologation et ceux des autorités d'homologation de type qui délivrent l'homologation et auxquelles doivent être envoyées les fiches d'homologation, ou d'extension, de refus ou de retrait d'homologation émises dans les autres pays.

Annexe 1

**Fiche de renseignements relative à l'homologation
de type d'un système d'aide à la vision lors
des manœuvres en marche arrière**

Les renseignements ci-après, dans la mesure où ils s'appliquent, doivent être soumis en trois exemplaires, ainsi qu'une liste des éléments inclus.

Les dessins éventuellement soumis doivent être à une échelle appropriée et suffisamment détaillés, au format A4 ou sur un document plié à ce format.

Les photographies éventuellement soumises doivent être suffisamment détaillées.

1. Marque (raison sociale du fabricant) :
2. Type et dénomination(s) commerciale(s) générale(s) :
3. Moyen d'identification du type, s'il est indiqué sur le dispositif :
4. Catégorie de véhicule sur laquelle le dispositif est destiné à être monté :
5. Nom et adresse du fabricant :
6. Emplacement et méthode d'apposition de la marque d'homologation :
- 6.1 Autres moyens d'identification permettant d'établir un lien avec la marque d'homologation :
7. Adresse des usines de montage :
8. Rétroviseurs (renseignements à donner pour chaque rétroviseur) :
- 8.1 Variante :
- 8.2 Dessins permettant d'identifier le rétroviseur :
- 8.3 Caractéristiques détaillées du mode de fixation :
9. Dispositifs de vision indirecte autres que rétroviseurs :
- 9.1 Type et caractéristiques (par exemple description complète du dispositif) :
- 9.2 Dessins suffisamment détaillés permettant d'identifier le système complet, ainsi que les instructions de montage ; l'emplacement de la marque d'homologation doit être indiqué sur les dessins :

Annexe 2

Fiche de renseignements relative à l'homologation de type d'un véhicule en ce qui concerne le montage des dispositifs d'aide à la vision lors des manœuvres en marche arrière

Les renseignements ci-après, dans la mesure où ils s'appliquent, doivent être soumis en trois exemplaires, ainsi qu'une liste des éléments inclus.

Les dessins éventuellement soumis doivent être à une échelle appropriée et suffisamment détaillés, au format A4 ou sur un document plié à ce format.

Les photographies éventuellement soumises doivent être suffisamment détaillées.

Renseignements généraux

1. Marque (raison sociale du constructeur) :
2. Type et dénomination(s) commerciale(s) générale(s) :
3. Moyen d'identification du type, s'il est indiqué sur le véhicule :
4. Emplacement de cette marque :
5. Catégorie du véhicule :
6. Nom et adresse du constructeur :
7. Adresse des ateliers de montage :

Caractéristiques générales de construction du véhicule

8. Photographies et/ou dessins d'un véhicule représentatif :
9. Position de conduite : à gauche/à droite¹ :
- 9.1 Véhicule aménagé pour la circulation à droite/circulation à gauche¹ :
10. Dimensions du véhicule (dimensions hors tout) :
- 10.1 Pour un châssis sans carrosserie :
- 10.1.1 Largeur² :
- 10.1.1.1 Largeur maximale admissible :

¹ Biffer la mention inutile.

² Par "largeur hors tout" d'un véhicule, on désigne une dimension mesurée conformément à la norme ISO 612-1978, terme n° 6.2. Dans le cas des véhicules de catégories autres que M₁, outre les dispositions de cette norme, il ne doit pas être tenu compte, lors de la mesure de la largeur du véhicule, des équipements suivants :

- a) Dispositifs de scellés douaniers et dispositifs de protection de ceux-ci ;
- b) Dispositifs de fixation de la bâche et dispositifs de protection de ceux-ci ;
- c) Témoins de défaillance des pneumatiques ;
- d) Parties souples en saillie d'un système antiprojection d'eau ;
- e) Dispositifs d'éclairage ;
- f) Pour les autobus, rampes d'accès en état de fonctionnement, plateformes de levage et autres équipements semblables en état de fonctionnement, à condition qu'ils ne fassent pas saillie de plus de 10 mm par rapport aux côtés du véhicule et que les angles des rampes orientés vers l'avant ou vers l'arrière soient arrondis à un rayon d'au moins 5 mm ; les bords doivent être arrondis à un rayon d'au moins 2,5 mm ;
- g) Dispositifs de vision indirecte ;
- h) Indicateurs de pression des pneumatiques ;
- i) Marchepieds rabattables ;
- j) Renflement du pneumatique au contact du sol.

| | |
|------------|---|
| 10.1.1.2 | Largeur minimale admissible : |
| 10.2 | Pour un châssis avec carrosserie : |
| 10.2.1 | Largeur ² : |
| 11. | Carrosserie |
| 11.1 | Dispositifs de vision indirecte |
| 11.1.1 | Rétroviseurs : |
| 11.1.1.1 | Dessin(s) indiquant la position du rétroviseur par rapport à la carrosserie du véhicule : |
| 11.1.1.2 | Caractéristiques détaillées du mode de fixation du rétroviseur, y compris la partie de la carrosserie du véhicule à laquelle il est fixé : |
| 11.1.1.3 | Équipements en option susceptibles d'affecter le champ de vision vers l'arrière : |
| 11.1.1.4 | Breve description des éléments électroniques du système de réglage, le cas échéant : |
| 11.1.2 | Dispositifs de vision indirecte autres que rétroviseurs : |
| 11.1.2.1 | Dessins suffisamment détaillés avec instructions de montage : |
| 11.1.2.2 | Dans le cas d'un système de caméra de vision vers l'arrière : |
| 11.1.2.2.1 | Dessin(s)/photographie(s) montrant l'emplacement de la ou des caméras par rapport à la structure du véhicule : |
| 11.1.2.2.2 | Dessin(s)/photographie(s) montrant la position du ou des écrans, y compris les parties intérieures adjacentes : |
| 11.1.2.2.3 | Dessin(s)/photographie(s) montrant la vue du conducteur sur le ou les écrans : |
| 11.1.2.2.4 | Dessin(s)/photographie(s) montrant la configuration du champ de vision prescrit et l'image qu'en donne le moniteur : |
| 11.1.2.2.5 | Précisions relatives au mode de fixation du système de caméra de vision vers l'arrière, y compris en ce qui concerne la partie de la structure du véhicule à laquelle il est fixé : |
| 11.1.2.2.6 | Équipements en option susceptibles d'affecter le champ de vision vers l'arrière : |
| 11.1.2.2.7 | Breve description des composants électroniques du dispositif de réglage, le cas échéant : |
| 11.1.2.2.8 | Spécifications techniques et manuel d'utilisation du système de caméra de vision vers l'arrière : |

Annexe 3

Communication

(Format maximal : A4 (210 x 297 mm))



Émanant de : Nom de l'administration :

.....

Concernant² : Délivrance d'une homologation
 Extension d'homologation
 Refus d'homologation
 Retrait d'homologation
 Arrêt définitif de la production

d'un type de dispositif d'aide à la vision lors des manœuvres en marche arrière en application du Règlement ONU n° XXX

Homologation n° : Extension n° :

1. Marque déposée du dispositif :
2. Dénomination du type de dispositif attribuée par le fabricant :
3. Nom et adresse du fabricant :
4. Nom et adresse du mandataire du fabricant (s'il y a lieu) :
5. Soumis à l'homologation le :
6. Service technique chargé des essais d'homologation :
7. Date du procès-verbal d'essai :
8. Numéro du procès-verbal d'essai :
9. Description sommaire :
 Identification du dispositif : rétroviseur, système de caméra de vision vers l'arrière, autre système²
 Système de vision vers l'arrière à faible distance²
10. Emplacement de la marque d'homologation :
11. Motif(s) de l'extension d'homologation (s'il y a lieu) :
12. L'homologation est accordée/refusée/étendue/retirée² :
13. Lieu :
14. Date :
15. Signature :
16. La liste annexée à la présente communication énumère les documents déposés auprès de l'autorité d'homologation de type ayant délivré l'homologation, qui peuvent être obtenus sur demande.

¹ Numéro distinctif du pays qui a délivré/étendu/refusé/retiré l'homologation (voir les dispositions du présent Règlement relatives à l'homologation).

² Biffer les mentions inutiles.

Annexe 4

Communication

(Format maximal : A4 (210 x 297 mm))



Émanant de : Nom de l'administration :

.....

Concernant² : Délivrance d'une homologation
 Extension d'homologation
 Refus d'homologation
 Retrait d'homologation
 Arrêt définitif de la production

d'un type de véhicule en ce qui concerne le montage des dispositifs d'aide à la vision lors des manœuvres en marche arrière en application du Règlement ONU n° XXX.

Homologation n° : Extension n° :

1. Marque déposée par le constructeur :
2. Type et dénomination(s) commerciale(s) :
3. Moyens d'identification du type, s'il est indiqué sur le véhicule :
- 3.1 Emplacement de cette marque :
4. Catégorie de véhicule : M₁, M₂, M₃, N₁, N₂, N₃²
5. Nom et adresse du constructeur :
6. Adresse des usines de montage :
7. Autres renseignements (le cas échéant) : voir l'appendice
8. Service technique chargé des essais :
9. Date du procès-verbal d'essai :
10. Numéro du procès-verbal d'essai :
11. Observations (le cas échéant) : voir l'appendice
12. Lieu :
13. Date :
14. Signature :
15. La liste annexée à la présente communication énumère les documents déposés auprès de l'autorité d'homologation de type ayant délivré l'homologation, qui peuvent être obtenus sur demande.

¹ Numéro distinctif du pays qui a délivré/étendu/refusé/retiré l'homologation (voir les dispositions du présent Règlement relatives à l'homologation).

² Biffer les mentions inutiles.

Annexe 4 – Appendice

Appendice à la fiche de communication n° relative à l'homologation de type d'un véhicule en ce qui concerne le montage des dispositifs d'aide à la vision lors des manœuvres en marche arrière en application du Règlement ONU n° [XXX].

1. Marque déposée des rétroviseurs et dispositifs supplémentaires de vision indirecte et numéro d'homologation de type des éléments :
2. Rétroviseurs de vision à faible distance et autres dispositifs d'aide à la vision lors des manœuvres en marche arrière¹
3. Extension de l'homologation de type du véhicule aux fins d'y inclure le dispositif de vision indirecte suivant :
4. Données permettant de déterminer le point R de la place du conducteur :
5. Largeurs maximale et minimale de la carrosserie pour lesquelles les rétroviseurs et les dispositifs de vision indirecte ont reçu l'homologation de type :
6. Sont annexés au présent certificat les documents ci-après portant le numéro d'homologation de type indiqué plus haut :

 - a) Dessins décrivant le montage des dispositifs de vision indirecte :
 - b) Dessins et plans indiquant l'emplacement de montage et les caractéristiques de la partie de la structure sur laquelle sont montés les dispositifs de vision indirecte :

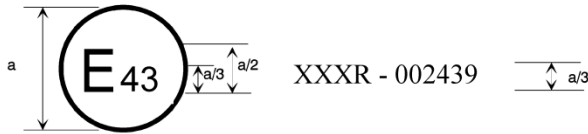
7. Observations (par exemple, valable pour la circulation à droite/la circulation à gauche¹) :

Annexe 5

Exemple de marque d'homologation d'un dispositif de vision indirecte

(Voir le paragraphe 5.4 du Règlement)

a = 5 mm min.



La marque d'homologation ci-dessus, apposée sur un dispositif de vision indirecte, indique qu'il s'agit d'un dispositif de vision vers l'arrière à faible distance, qui a été homologué aux Japon (E 43) en application du Règlement ONU n° [XXX] sous le numéro d'homologation 002439. Les deux premiers chiffres du numéro d'homologation signifient que le Règlement ONU n° [XXX] se trouvait sous sa forme initiale lorsque l'homologation a été accordée.

Note : Le numéro d'homologation et le symbole additionnel doivent être placés à proximité du cercle et soit au-dessus ou au-dessous, soit à gauche ou à droite de la lettre "E". Les chiffres du numéro d'homologation doivent être placés d'un même côté par rapport à la lettre "E" et orientés dans la même direction. Le symbole additionnel doit être placé de façon diamétralement opposée au numéro d'homologation. L'utilisation de chiffres romains pour les numéros d'homologation est à éviter afin de prévenir toute confusion avec d'autres symboles.

Annexe 6

Méthode d'essai pour la détermination de la réflectance

1. Définitions
 - 1.1 Illuminant normalisé A de la Commission internationale de l'éclairage (CIE)¹: illuminant colorimétrique représentant le corps noir à $T_{68} = 2\,855,6\text{ K}$.
 - 1.1.2 Source normalisée CIE A¹: lampe à filament de tungstène à atmosphère gazeuse fonctionnant à une température de couleur proximale de $T_{68} = 2\,855,6\text{ K}$.
 - 1.1.3 Observateur de référence colorimétrique CIE 1931¹: récepteur de rayonnement dont les caractéristiques colorimétriques correspondent aux composantes trichromatiques spectrales $\bar{x}(\lambda)$, $\bar{y}(\lambda)$, $\bar{z}(\lambda)$ (voir tableau).
 - 1.1.4 Composantes trichromatiques spectrales de la CIE¹: composantes trichromatiques, dans le système de la CIE (XYZ), des éléments monochromatiques d'un spectre d'énergie égale.
 - 1.1.5 Vision photopique¹: vision de l'œil normal lorsqu'il est adapté à des niveaux de luminance d'au moins plusieurs cd/m^2 .
2. Appareillage
 - 2.1 Dispositions générales

L'appareillage doit comporter une source de lumière, un porte-échantillon, un récepteur à photodétecteur et un appareil de mesure (voir fig. 1), ainsi que les moyens nécessaires pour supprimer les effets de la lumière parasite.

Le récepteur peut comprendre une sphère d'Ulbricht pour faciliter la mesure du facteur de réflexion des rétroviseurs non plans (convexes) (voir fig. 2).
 - 2.2 Caractéristiques spectrales de la source de lumière et du récepteur

La source de lumière doit être une source normalisée CIE A associée à un système optique permettant d'obtenir un faisceau de rayons lumineux presque parallèles. Il est recommandé de prévoir un stabilisateur de tension pour maintenir une tension fixe de la lampe pendant tout le fonctionnement de l'appareillage.

Le récepteur doit comprendre un photodétecteur dont la réponse spectrale est proportionnelle à la fonction de luminosité photopique de l'observateur de référence colorimétrique CIE (1931) (voir tableau). On peut également adopter toute autre combinaison d'illuminant-filtre-récepteur donnant un équivalent global de l'illuminant normalisé CIE A et de la vision photopique. Si le récepteur comprend une sphère d'Ulbricht, la surface intérieure de la sphère doit être revêtue d'un revêtement blanc mat diffusif et non sélectif.
 - 2.3 Conditions géométriques

Le faisceau de rayons incidents doit de préférence faire un angle (Θ) de $0,44 \pm 0,09$ radian ($25 \pm 5^\circ$) avec la perpendiculaire à la surface d'essai; cet angle ne doit toutefois pas dépasser la limite supérieure de la tolérance (c'est-à-dire $0,53$ radian ou 30°). L'axe du récepteur doit faire un angle (Θ) égal à celui du faisceau de rayons incidents avec cette perpendiculaire (voir fig. 1). Au point d'arrivée sur la surface d'essai, le faisceau incident doit avoir un diamètre d'au moins 13 mm ($0,5$ pouce). Le faisceau réfléchi ne doit

¹ Définition extraite de la publication CIE 50 (45), Vocabulaire électronique international, Groupe 45, Éclairage.

pas être plus large que la surface sensible du photodétecteur, ne doit pas couvrir moins de 50 % de cette surface et doit, si possible, couvrir la même portion de surface que le faisceau utilisé pour l'étalonnage de l'instrument.

Si le récepteur comprend une sphère d'Ulbricht, celle-ci doit avoir un diamètre minimal de 127 mm (5 pouces). Les ouvertures pratiquées dans la paroi de la sphère pour l'échantillon et le faisceau incident doivent être de taille suffisante pour laisser passer totalement les faisceaux lumineux incident et réfléchi. Le photodétecteur doit être placé de manière à ne pas recevoir directement la lumière du faisceau incident ou du faisceau réfléchi.

- 2.4 Caractéristiques électriques de l'ensemble photodétecteur-appareil de mesure
- Le signal du photodétecteur relevé sur l'appareil de mesure doit être une fonction linéaire de l'intensité lumineuse sur la surface photosensible. Des moyens (électriques ou optiques, ou les deux) doivent être prévus pour faciliter la remise à zéro et les réglages d'étalonnage. Ces moyens ne doivent pas affecter la linéarité ou les caractéristiques spectrales de l'instrument. La précision de l'ensemble récepteur-appareil de mesure doit être de $\pm 2\%$ de la pleine échelle ou de $\pm 10\%$ de la valeur mesurée, la valeur la plus petite des deux étant retenue.
- 2.5 Porte-échantillon
- Le mécanisme doit permettre de placer l'échantillon de telle manière que l'axe du bras de la source et celui du bras du récepteur se croisent au niveau de la surface réfléchissante. Cette surface réfléchissante peut se trouver à l'intérieur du rétroviseur échantillon ou d'un des deux côtés, selon qu'il s'agit d'un rétroviseur à première surface, à deuxième surface ou d'un rétroviseur prismatique de type jour-nuit.
3. Méthode opératoire
- 3.1 Méthode d'étalonnage direct
- S'agissant de la méthode d'étalonnage directe, l'étalon de référence utilisé est l'air. Cette méthode est applicable avec des instruments construits de manière à permettre un étalonnage à 100 % de l'échelle en orientant le récepteur directement dans l'axe de la source de lumière (voir fig. 1).
- Il peut être nécessaire dans certains cas (pour mesurer, par exemple, des surfaces à faible réflectance) de prendre un point d'étalonnage intermédiaire (entre 0 et 100 % de l'échelle) dans le cadre de cette méthode. Dans ces cas, il faut intercaler dans la trajectoire optique un filtre de densité neutre de facteur de transmission connu, et régler le système d'étalonnage jusqu'à ce que l'appareil de mesure affiche le pourcentage de transmission correspondant au filtre à densité neutre. Ce filtre doit bien entendu être enlevé avant qu'il soit procédé aux mesures de réflectance.
- 3.2 Méthode d'étalonnage indirecte
- Cette méthode d'étalonnage est applicable aux instruments où la disposition entre source et récepteur est fixe. Elle nécessite un étalon de réflectance convenablement étalonné et entretenu. Cet étalon sera de préférence un rétroviseur plan dont la réflectance est aussi proche que possible de celle des échantillons mis à l'essai.
- 3.3 Mesure sur rétroviseur plan
- Le facteur de réflexion des échantillons de rétroviseur plan peut être mesuré à l'aide d'instruments fonctionnant sur le principe de l'étalonnage direct ou indirect. La valeur du facteur de réflexion est lue directement sur le cadran de l'appareil de mesure.
- 3.4 Mesure sur rétroviseur non plan (convexe)
- La mesure du facteur de réflexion de rétroviseurs non plans (convexes) demande l'utilisation d'instruments comprenant une sphère d'Ulbricht (voir

fig. 2). Si l'appareil de mesure, avec un miroir étalon de réflectance E %, affiche n_e divisions, avec un miroir à facteur de réflexion inconnu, n_s divisions correspondront à une réflectance de X %, selon la formule :

$$X = E \frac{n_s}{n_e}$$

Figure 1
Schéma général du réflectomètre permettant les deux méthodes d'étalonnage

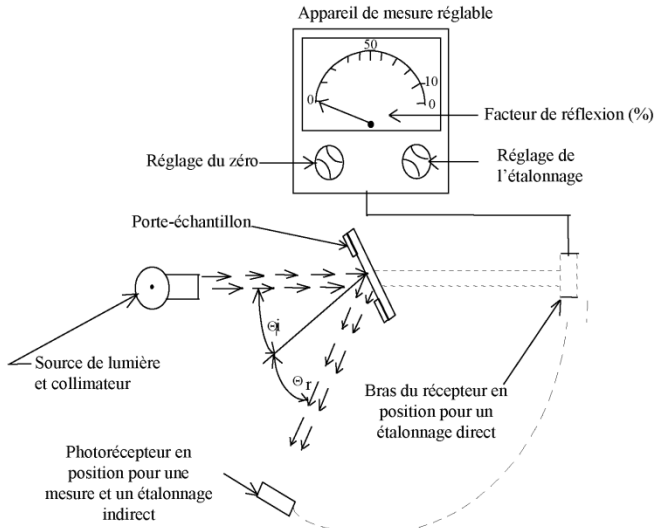
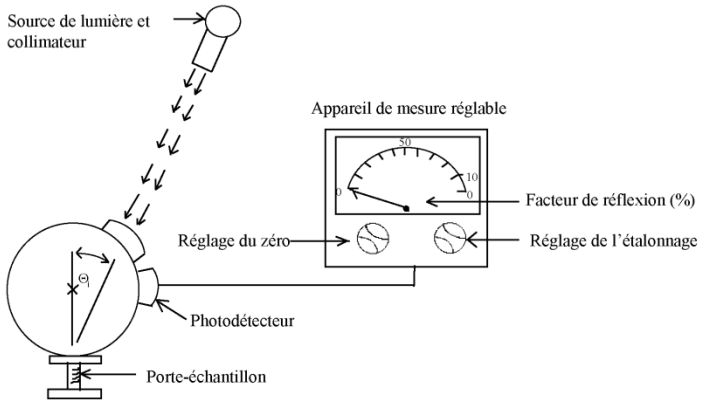


Figure 2
Schéma général du réflectomètre avec sphère intégrante dans le récepteur



4. Valeurs des composantes trichromatiques spectrales de l'observateur de référence colorimétrique CIE 1931²

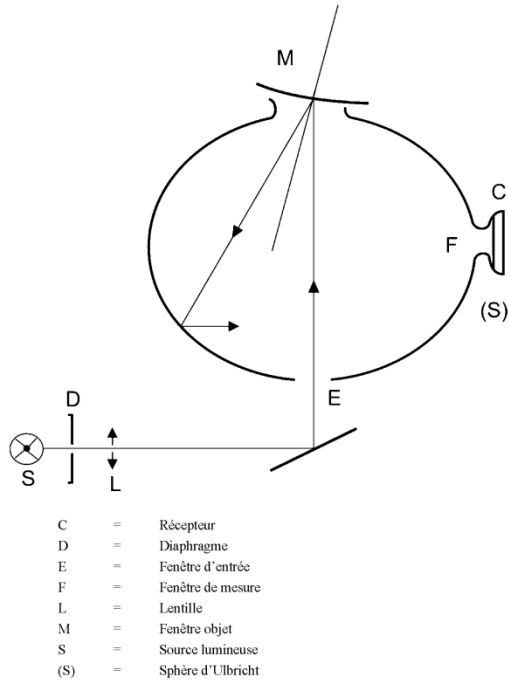
Ce tableau est extrait de la publication CIE 50 (45) (1970)

| λ nm | $\bar{x}(\lambda)$ | $\bar{y}(\lambda)$ | $\bar{z}(\lambda)$ |
|-----------------|--------------------|--------------------|--------------------|
| 380 | 0,001 4 | 0,000 0 | 0,006 5 |
| 390 | 0,004 2 | 0,000 1 | 0,020 1 |
| 400 | 0,014 3 | 0,000 4 | 0,067 9 |
| 410 | 0,043 5 | 0,001 2 | 0,207 4 |
| 420 | 0,134 4 | 0,004 0 | 0,645 6 |
| 430 | 0,283 9 | 0,011 6 | 1,385 6 |
| 440 | 0,348 3 | 0,023 0 | 1,747 1 |
| 450 | 0,336 2 | 0,038 0 | 1,772 1 |
| 460 | 0,290 8 | 0,060 0 | 1,669 2 |
| 470 | 0,195 4 | 0,091 0 | 1,287 6 |
| 480 | 0,095 6 | 0,139 0 | 0,813 0 |
| 490 | 0,032 0 | 0,208 0 | 0,465 2 |
| 500 | 0,004 9 | 0,323 0 | 0,272 0 |
| 510 | 0,009 3 | 0,503 0 | 0,158 2 |
| 520 | 0,063 3 | 0,710 0 | 0,078 2 |
| 530 | 0,165 5 | 0,862 0 | 0,042 2 |
| 540 | 0,290 4 | 0,954 0 | 0,020 3 |
| 550 | 0,433 4 | 0,995 0 | 0,008 7 |
| 560 | 0,594 5 | 0,995 0 | 0,003 9 |
| 570 | 0,762 1 | 0,952 0 | 0,002 1 |
| 580 | 0,916 3 | 0,870 0 | 0,001 7 |
| 590 | 1,026 3 | 0,757 0 | 0,001 1 |
| 600 | 1,062 2 | 0,631 0 | 0,000 8 |
| 610 | 1,002 6 | 0,503 0 | 0,000 3 |
| 620 | 0,854,4 | 0,381 0 | 0,000 2 |
| 630 | 0,642 4 | 0,265 0 | 0,000 0 |
| 640 | 0,447 9 | 0,175 0 | 0,000 0 |
| 650 | 0,283 5 | 0,107 0 | 0,000 0 |
| 660 | 0,164 9 | 0,061 0 | 0,000 0 |
| 670 | 0,087 4 | 0,032 0 | 0,000 0 |
| 680 | 0,046 8 | 0,017 0 | 0,000 0 |
| 690 | 0,022 7 | 0,008 2 | 0,000 0 |
| 700 | 0,011 4 | 0,004 1 | 0,000 0 |
| 710 | 0,005 8 | 0,002 1 | 0,000 0 |
| 720 | 0,002 9 | 0,001 0 | 0,000 0 |
| 730 | 0,001 4 | 0,000 5 | 0,000 0 |
| 740 | 0,000 7 | 0,000 2 * | 0,000 0 |
| 750 | 0,000 3 | 0,000 1 | 0,000 0 |
| 760 | 0,000 2 | 0,000 1 | 0,000 0 |
| 770 | 0,000 1 | 0,000 0 | 0,000 0 |
| 780 | 0,000 0 | 0,000 0 | 0,000 0 |

* Modifié en 1966 (de 3 à 2)

² Tableau abrégé. Les valeurs $\bar{y}(\lambda) = V(\lambda)$ sont arrondies à la quatrième décimale.

Figure 1
Exemple de dispositif de mesure du facteur de réflexion des surfaces réfléchissantes sphériques



Annexe 7

Procédure de détermination du rayon de courbure “r” de la surface réfléchissante du rétroviseur

1. Mesure
 - 1.1 Appareillage

On utilise un sphéromètre similaire à celui décrit à la figure 1 ci-dessous et satisfaisant aux distances indiquées entre la pointe traçante de la règle graduée et les appuis fixes de la barre.
 - 1.2 Points de mesure
 - 1.2.1 La mesure des rayons de courbure principaux est effectuée en trois points situés aussi près que possible du tiers, de la moitié et des deux tiers de l’arc de la surface réfléchissante passant par le centre de cette surface et parallèle au segment b, ou de l’arc passant par le centre de la surface réfléchissante qui lui est perpendiculaire si ce dernier arc est le plus long.
 - 1.2.2 Toutefois, si les dimensions de la surface réfléchissante rendent impossible l’obtention des mesures dans les directions définies au paragraphe 2.1.2.2 du présent Règlement, le service technique chargé des essais peut procéder à des mesures en ce point dans deux directions perpendiculaires aussi proches que possible de celles prescrites ci-dessus.
2. Calcul du rayon de courbure “r”

“r” exprimé en mm, est calculé au moyen de la formule :

$$r = \frac{r_p 1 + r_p 2 + r_p 3}{3}$$

où :

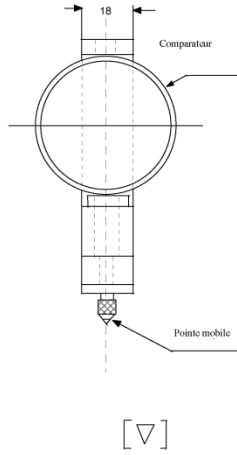
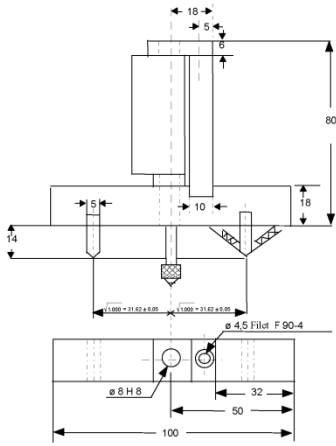
r_{p1} est le rayon de courbure au premier point de mesure ;

r_{p2} est le rayon de courbure au deuxième point de mesure ;

r_{p3} est le rayon de courbure au troisième point de mesure.

34

Figure 1
Sphéromètre



(Toutes les dimensions sont en millimètres)

DE 20-1093

REUTRANSUM-P-29/20/0121

Annexe 8

Procédure de détermination du point H et de l'angle réel de torse pour les places assises des véhicules à moteur¹

Appendice 1 Description de la machine tridimensionnelle point "H" (machine 3-D H)

Appendice 2 Système de référence à trois dimensions¹

Appendice 3 Paramètres des places assises¹

¹ La procédure est décrite à l'annexe 1 de la Résolution d'ensemble sur la construction des véhicules (R.E.3) (document ECE/TRANS/WP.29/78/Rev.6), www.unece.org/trans/main/wp29/wp29wgs/wp29gen/wp29resolutions.html.

Annexe 9

Méthodes d'essai concernant le champ de vision vers l'arrière à faible distance

1. Champ de vision

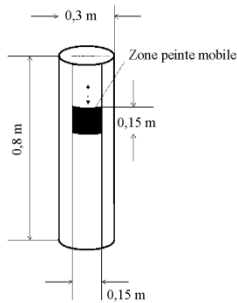
Les prescriptions relatives au champ de vision défini au paragraphe 15.2 du présent Règlement peuvent être soumises à des essais dans les conditions définies dans la présente annexe.

1.1 Accessoires d'essai

Chaque accessoire d'essai est constitué d'un cylindre droit de 0,8 m de hauteur et de 0,3 m de diamètre extérieur. Chaque accessoire d'essai doit être marqué comme suit :

- a) Il doit porter une zone peinte mesurant 0,15 m x 0,15 m pouvant être déplacée de haut en bas sur le côté du cylindre ;
- b) La zone peinte doit être d'une couleur qui contraste à la fois avec le reste du cylindre et avec la surface d'essai.

Figure A
Accessoire d'essai



1.2 Disposition et orientation des accessoires d'essai

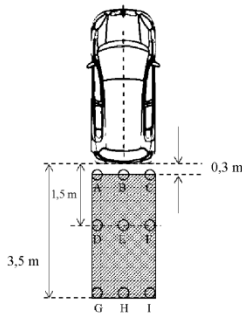
Placer les accessoires d'essai aux emplacements spécifiés aux alinéas a) à h) ci-dessous (voir fig. B). Mesurer la distance entre leurs axes. Chacun d'entre eux doit être orienté de telle sorte que son axe soit vertical.

- a) Placer les accessoires d'essai A, B et C de façon que leurs axes soient situés dans un plan vertical transversal qui soit 0,3 m en arrière du plan vertical transversal tangent à la surface la plus en arrière du véhicule ;
- b) Placer l'accessoire d'essai B de façon que son axe soit situé dans un plan vertical longitudinal passant par l'axe longitudinal du véhicule ;
- c) Placer les accessoires d'essai D, E et F de sorte que leurs axes soient situés dans un plan vertical transversal qui soit 1,5 m en arrière d'un plan vertical transversal tangent à la surface la plus en arrière du véhicule ;
- d) Placer l'accessoire d'essai E de sorte que son axe soit situé dans un plan vertical longitudinal passant par l'axe longitudinal du véhicule ;

- e) Placer les accessoires d'essai G, H et I de sorte que leurs axes soient situés dans un plan vertical transversal qui se trouve 3,35 m en arrière d'un plan vertical transversal tangent à la surface la plus en arrière du véhicule ;
- f) Placer l'accessoire d'essai H de sorte que son centre soit situé dans un plan vertical longitudinal passant par l'axe longitudinal du véhicule ;
- g) Placer les accessoires d'essai A, D et G de sorte que leurs parois situées le plus à l'extérieur se trouvent dans un plan vertical longitudinal tangent à la surface la plus extérieure du côté gauche du véhicule ;
- h) Placer les accessoires d'essai C, F et I de façon que leurs parois situées le plus à l'extérieur se trouvent dans un plan vertical longitudinal tangent à la surface la plus extérieure du côté droit du véhicule.

Il n'est pas tenu compte des dispositifs mécaniques d'attelage et des porte-bagages situés à l'arrière du véhicule.

Figure B
Disposition des accessoires d'essai



1.3 Procédure d'essai

1.3.1 Éclairage

Les essais doivent être effectués dans les conditions d'éclairage ambiant suivantes : la lumière doit être uniformément répartie par le haut et être d'une intensité comprise entre 7 000 lux et 10 000 lux, telle que mesurée au centre de la surface extérieure du toit du véhicule.

1.3.2 Température

Pendant les essais, la température à l'intérieur de l'habitacle du véhicule d'essai peut être comprise entre 15 °C et 25 °C.

1.3.3 Préparation du véhicule

1.3.3.1 Pneumatiques

Les pneumatiques du véhicule doivent être gonflés à la pression de gonflage à froid recommandée par le constructeur.

1.3.3.2 État de charge du véhicule

Le véhicule doit être en ordre de marche tel que défini dans la Résolution d'ensemble sur la construction des véhicules (R.E.3) (ECE/TRANS/WP.29/78/Rev.6, par. 2.2.5.4).

- 1.3.3.3 Suspension réglable
Si le véhicule est équipé d'un système de suspension réglable, celui-ci doit être réglé de manière à offrir les conditions les plus défavorables.
- 1.3.3.4 Hayons arrière et capots de coffre
Si le véhicule est équipé de hayons arrière ou de capots de coffre, ceux-ci doivent être fermés et verrouillés dans leur état de fonctionnement normal.
- 1.4 Procédure d'essai
La visibilité de chaque accessoire d'essai est vérifiée un par un.
Il est également possible de vérifier une rangée en une seule fois. À l'issue d'une vérification réussie, l'accessoire d'essai peut être retiré.
Il est possible d'orienter les accessoires d'essai de la première rangée (A, B, C) de manière à donner la meilleure visibilité possible à la zone peinte.
2. Réactivité du système
- 2.1 Conditions d'essai
- a) Laisser le véhicule en stationnement jusqu'à être assuré que tous ses systèmes électroniques sont désactivés, ou pendant au moins 30 min ;
 - b) La personne procédant à l'essai ou l'équipement d'essai peuvent déjà avoir pris place dans le véhicule ;
 - c) S'assurer que le sélecteur de vitesse du véhicule est au point mort ou en marche avant ;
 - d) L'essai peut commencer par l'ouverture de la porte du conducteur. Une fois que la porte est ouverte, elle doit être refermée.
- 2.2 Procédure d'essai
- a) Mettre le véhicule en mode "véhicule actif". Cette action lance le premier chronomètre ;
 - b) Attendre au moins 6 s ;
 - c) Commencer l'épreuve de marche arrière en sélectionnant le mode de fonctionnement inverse. S'il n'est pas possible de mettre le véhicule en marche arrière 6 s après qu'il a été mis en mode véhicule actif, l'épreuve de marche arrière doit être lancée dès que cela est techniquement possible ;
 - d) Lancer le deuxième chronomètre, conformément aux spécifications du constructeur et au plus tard lorsque la fonction d'inversion est déclenchée ou la commande de marche arrière engagée ;
 - e) Enregistrer sur le deuxième chronomètre le temps de réaction jusqu'à ce que la vue de l'arrière soit complètement visible sur l'écran.
3. Taille de l'accessoire d'essai
- 3.1 Point de référence pour l'essai
On obtient le point de référence pour l'essai de la façon suivante :
- a) Repérer le centre du point médian des yeux orientés vers l'avant (Mf) tel qu'illustré dans la figure C, à 635 mm à la verticale au-dessus du plan du point H (H) et à 96 mm en arrière de ce point ;
 - b) Repérer le centre de l'articulation entre la tête et le cou (J) tel qu'illustré dans la figure C, à 100 mm en arrière de Mf et à 588 mm à la verticale au-dessus du plan du point H. Si la position du centre de l'articulation entre la tête et le cou (J) n'est pas compatible avec la configuration du siège, régler le siège du conducteur afin qu'il se

trouve au point médian de la plage de réglage longitudinal. Si le siège ne peut pas être positionné au point médian de la plage de réglage longitudinal, utiliser la position la plus proche en arrière du point médian ;

- c) Tracer une ligne imaginaire horizontale entre M_f et un point nommé J_2 , situé au-dessus de J , à la verticale ;
- d) Faire pivoter la ligne imaginaire autour de J_2 dans la direction de l'image en vue vers l'arrière jusqu'à ce que la distance rectiligne entre M_f et le centre du dispositif d'affichage utilisé pour présenter l'image en vue vers l'arrière prescrite dans cette norme soit la plus courte possible ;
- e) M_r (point médian des yeux ayant pivoté) est le point atteint par M_f après rotation.

3.1 Procédure de mesure

- a) Placer un appareil photo, une caméra vidéo ou un appareil numérique équivalent de format 35 mm ou plus de manière que le centre du plan d'image de la caméra soit situé sur le point médian des yeux ayant pivoté (M_r) et que l'objectif de la caméra soit dirigé vers le centre de l'image en vue vers l'arrière affichée à l'écran ;
- b) Fixer une règle à la base de l'image en vue vers l'arrière, perpendiculairement à l'axe cylindrique de l'accessoire d'essai. Si les appuie-tête du véhicule obstruent la vue de l'écran de la caméra, ils peuvent être réglés ou retirés ;
- c) Photographier l'image de l'affichage visuel avec la règle incluse dans le cadre et l'image en vue vers l'arrière affichée.

3.2 Extraction des données photographiques

- a) Mesurer sur la photographie la longueur apparente d'une section délimitée de 50 mm de la règle photographique, le long du bord de la règle, au plus près de l'image en vue vers l'arrière et en un point proche du centre horizontal de l'image ;
- b) Mesurer sur la photographie la largeur horizontale de la bande colorée à la partie supérieure de chacun des trois accessoires d'essai situés aux positions G, H et I de la figure B ;
- c) Définir les largeurs horizontales mesurées des bandes colorées des trois accessoires d'essai comme étant d_G , d_H et d_I .

3.3 Obtenir le facteur d'échelle

En utilisant la longueur apparente de la partie de 50 mm de la règle telle qu'elle apparaît sur la photographie, diviser cette longueur apparente par 50 mm pour obtenir un facteur d'échelle. Définir ce facteur d'échelle comme l'échelle.

3.4 Déterminer la distance de visionnement

Déterminez la distance réelle entre le point médian des yeux ayant pivoté (M_r) et le centre de l'image en vue vers l'arrière. Définissez cette distance de visionnement comme a_{eye} .

3.5 Calculer l'angle visuel sous-tendu par les accessoires d'essai.

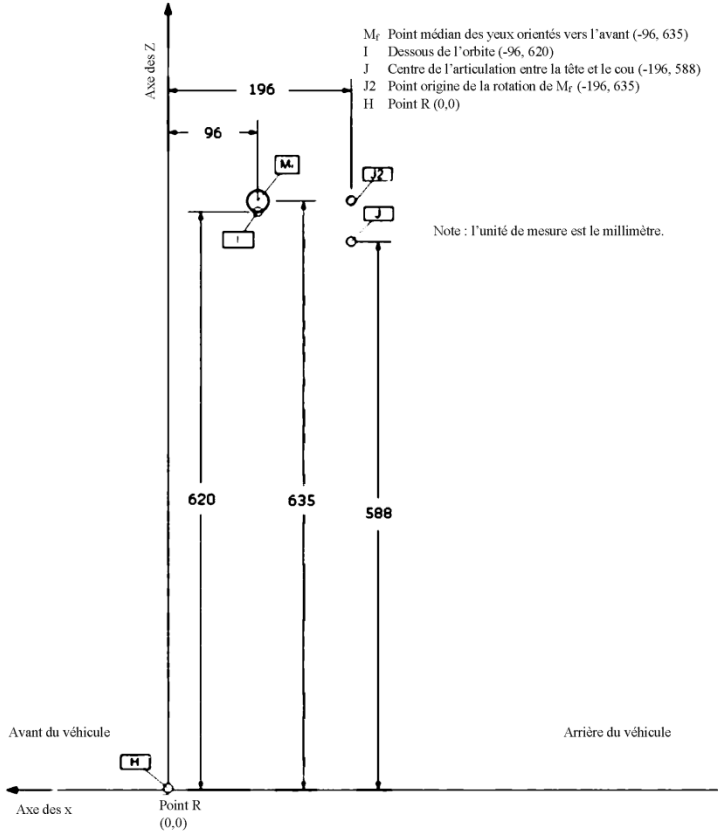
Utilisez l'équation suivante pour calculer les angles visuels sous-tendus :

$$\theta_i = 60 \sin^{-1} \left(\frac{d_i}{a_{eye} S_{scale}} \right)$$

où i peut prendre la valeur de l'un ou l'autre des accessoires d'essai G, H ou I, et où l'arcsin est calculée en degrés.

Figure C

Point médian des yeux orientés vers l'avant (M_f) dans le plan sagittal médian pour ce qui est du point R pour un conducteur de sexe masculin du 50^e centile regardant vers l'avant assis sur un siège dont le dossier est incliné à 25°



Annexe 10

Méthodes d'essai des systèmes de détection

1. Détection dans la zone horizontale arrière

Les systèmes à signaux sonores doivent satisfaire aux essais prescrits au paragraphe 1.3.1 de la présente annexe. Cependant, si un système à signaux sonores satisfait aux essais prescrits au paragraphe 1.4 de la présente annexe, il est réputé satisfaire aux essais prescrits au paragraphe 1.3.1.
- 1.1 Conditions d'essai

L'accessoire d'essai doit être conforme aux prescriptions du paragraphe 7.1 de la norme ISO 17386:2010. Pendant les essais, la vitesse du vent ne doit pas dépasser 1 m/s. La température doit être de $20 \pm 5^\circ\text{C}$ et l'humidité de $60 \pm 25\%$. Il ne doit y avoir ni pluie ni neige. L'essai doit être effectué sur une surface plane et sèche en asphalte ou en béton. L'essai ne doit pas être affecté par la réflexion d'ondes sonores ou électromagnétiques sur les murs, les équipements auxiliaires d'essai ou tout autre objet dans l'environnement.
- 1.2 Préparation des essais

Un accessoire d'essai est utilisé. La distance entre le bord arrière du véhicule et l'accessoire d'essai ainsi que l'emplacement de ce dernier sont définis par le constructeur afin de garantir la détection de l'accessoire. L'accessoire d'essai doit se trouver sur la grille de la zone horizontale arrière définie au paragraphe 1.3.1 de la présente annexe. Dans son état initial, le véhicule soumis à l'essai est à l'arrêt, et son système de détection est activé selon les indications [du constructeur OU du manuel d'utilisation du véhicule]. Dans le cas des véhicules équipés d'une transmission automatique, "à l'arrêt" signifie que le levier de vitesses est sur la position P (parking), alors que sur les véhicules équipés d'une transmission manuelle, cela signifie que le véhicule est au point mort et que le frein de stationnement est serré.
- 1.3 Méthode d'essai
 - 1.3.1 Champ de détection

La distance de détection maximale prévue aux paragraphes 5.4.2 et 5.4.3 de la norme ISO 17386:2010 doit être de 1,0 m (classe R2). La longueur du rectangle w_r , est égale à la largeur du véhicule, mesurée le long de l'essieu arrière. Les dimensions sont arrondies au décimètre le plus proche. Les figures 1 et 2 ci-dessous donnent des exemples de w_r différents.

Figure 1
 Nombre impair de cylindres dans le sens de la largeur du véhicule
 (par exemple si $w_r = 1,67$ m)

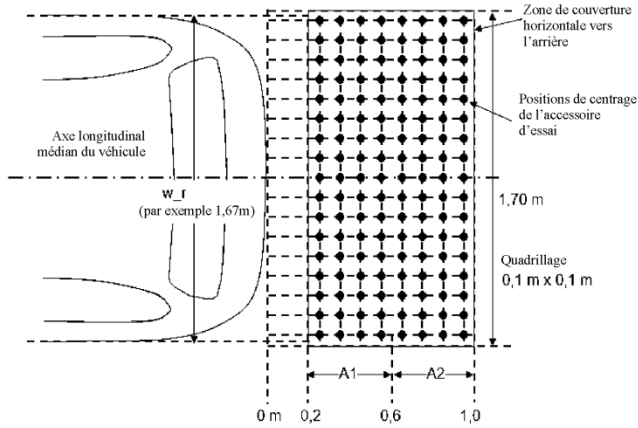
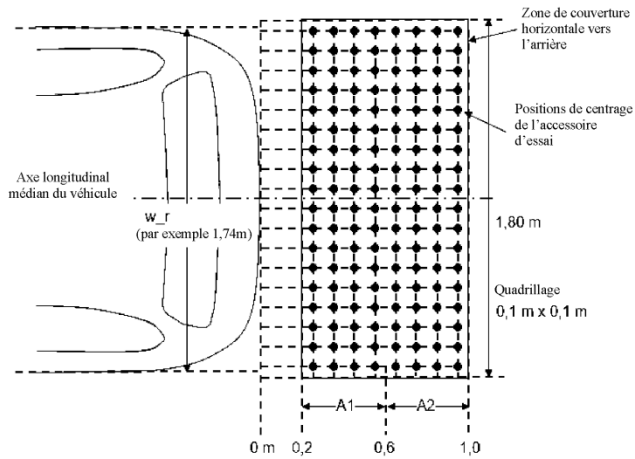


Figure 2
 Nombre pair de cylindres dans le sens de la largeur du véhicule
 (par exemple si $w_r = 1,74$ m)



1.3.2 Taux minimum de détection

Le taux minimum de détection dans la zone horizontale arrière doit être le suivant :

- 90 % pour la zone A1 telle qu'elle est définie au paragraphe 5.4.3 de la norme ISO 17386:2010 ;

- b) 87 % pour la zone A2 telle qu'elle est définie au paragraphe 5.4.3 de la norme ISO 17386:2010.

Aucune zone d'une taille supérieure à un carré de 2×2 cases de la grille ne doit échapper à la détection.

La procédure d'essai concernant la zone horizontale arrière doit être conforme aux prescriptions du paragraphe 7.3 de la norme ISO 17386:2010.

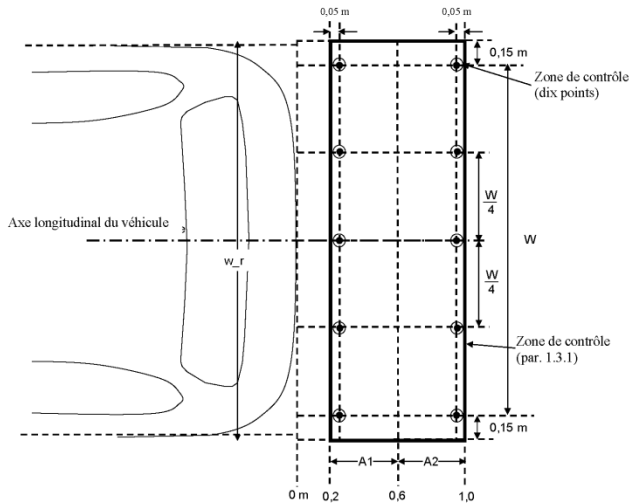
Si le signal sonore est émis pendant plus de 5 s en continu, l'accessoire d'essai est considéré comme détecté. L'essai de détection doit être effectué 1 fois pour chaque accessoire d'essai. Cependant, si nécessaire et en accord avec les services techniques et le constructeur, l'accessoire d'essai peut être réputé détecté si le signal a été émis dans 4 essais sur 5.

1.4 Autre méthode d'essai (simplifiée)

1.4.1 Champ de détection

Le champ de détection s'étend aux 10 points indiqués à la figure 3 ci-dessous dans le champ de détection défini au paragraphe 1.3.1.

Figure 3



1.4.2 Taux minimum de détection

Le taux minimum de détection requis pour la zone de 10 points est de 100 %.

Si le signal sonore est émis pendant plus de 5 s en continu, l'accessoire d'essai est réputé détecté. L'essai de détection doit être effectué 1 fois pour chaque accessoire d'essai. Cependant, si nécessaire et en accord avec les services techniques et le constructeur, l'accessoire d'essai peut être réputé détecté si le signal a été émis dans 4 essais sur 5.

1.4.3 Capacités d'autodiagnostic et signalement des défaillances

Conformément au paragraphe 5.5 de la norme ISO 17386:2010, le système doit posséder des fonctions d'autodiagnostic. Il doit communiquer des informations relatives à des défauts de fonctionnement selon les dispositions

du paragraphe 17.2.5 du présent Règlement chaque fois qu'une défaillance est détectée.

2. Temps de réaction

2.1 Conditions d'essai

- a) Laisser le véhicule en stationnement jusqu'à être assuré que tous ses systèmes électroniques sont désactivés, ou pendant au moins 30 s ;
- b) La personne procédant à l'essai ou l'équipement d'essai peuvent déjà avoir pris place dans le véhicule ;
- c) S'assurer que le sélecteur de vitesse du véhicule est au point mort ou en marche avant ;
- d) L'essai peut commencer par l'ouverture de la porte du conducteur. Une fois que la porte est ouverte, elle doit être refermée.

2.2 Procédure d'essai

- a) Placer un accessoire d'essai dans le champ de détection requis ;
- b) Mettre le véhicule en mode "véhicule actif". Cette action lance le premier chronomètre ;
- c) Attendre au moins 6 s ;
- d) Commencer l'épreuve de marche arrière en sélectionnant le mode de fonctionnement correspondant. S'il n'est pas possible de mettre le véhicule en marche arrière 6 s après qu'il a été mis en mode véhicule actif, l'épreuve de marche arrière doit être lancée dès que cela est techniquement possible. Lancer le deuxième chronomètre, conformément aux spécifications du constructeur et au plus tard lorsque la fonction d'inversion est déclenchée ou la commande de marche arrière engagée ;
- e) Enregistrer sur le deuxième chronomètre le temps de réaction jusqu'à ce que le signal d'information soit disponible. ».

[RUSSIAN TEXT – TEXTE RUSSE]

Организация Объединенных Наций


**Экономический
и Социальный Совет**

ECE/TRANS/WP.29/2020/121

 Distr.: General
 21 August 2020
 Russian
 Original: English

Европейская экономическая комиссия

Комитет по внутреннему транспорту

**Всемирный форум для согласования правил
в области транспортных средств**

Сто восемьдесят вторая сессия

Женева, 10–12 ноября 2020 года

Пункт 4.13.2 предварительной повестки дня

Соглашение 1958 года:

 Рассмотрение проектов поправок к существующим
 правилам ООН, представленных GRSG

**Предложение по новым правилам ООН о единообразных
предписаниях, касающихся официального утверждения
устройств визуализации движения задним ходом
и автотранспортных средств в отношении
предупреждения водителя об уязвимых участниках
дорожного движения, находящихся позади
транспортного средства**
**Представлено Рабочей группой по общим предписаниям,
касающимся безопасности***

Воспроизведенный ниже текст был принят Рабочей группой по общим предписаниям, касающимся безопасности, на ее сто восемнадцатой сессии, состоявшейся в июле 2020 года (см. ECE/TRANS/WP.29/GRSG/97). В его основу положен документ ECE/TRANS/WP.29/GRSG/2020/4 с поправками, содержащимися в документе GRSG-118-05. Этот текст представляется Всемирному форуму для согласования правил в области транспортных средств (WP.29) и Административному комитету Соглашения 1958 года (AC.1) для рассмотрения и голосования на их сессиях в ноябре 2020 года.

* В соответствии с программой работы Комитета по внутреннему транспорту на 2020 год, изложенной в предлагаемом бюджете по программам на 2020 год (A/74/6 (часть V, разд. 20), п. 20.37), Всемирный форум будет разрабатывать, согласовывать и обновлять правила ООН в целях повышения эффективности транспортных средств. Настоящий документ представлен в соответствии с этим мандатом.

GE.20-10953 (R) 261020 281020



* 2 0 1 0 9 5 3 *

Просьба отправить на вторичную переработку



«Правила № [XXX] ООН¹

Правила ООН о единообразных предписаниях, касающихся официального утверждения устройств визуализации движения задним ходом и автотранспортных средств в отношении предупреждения водителя об уязвимых участниках дорожного движения, находящихся позади транспортного средства

Содержание

Стр.²

Правила

| | | |
|-----|--|--|
| 1. | Область применения | |
| 1. | Устройства визуализации движения задним ходом | |
| 2. | Определения | |
| 3. | Заявка на официальное утверждение | |
| 4. | Маркировка..... | |
| 5. | Официальное утверждение | |
| 6. | Требования..... | |
| 7. | Изменение типа устройства визуализации движения задним ходом и распространение официального утверждения | |
| 8. | Соответствие производства..... | |
| 9. | Санкции, налагаемые за несоответствие производства | |
| 10. | Окончательное прекращение производства..... | |
| 11. | Названия и адреса технических служб, уполномоченных проводить испытания на официальное утверждение, и органов по официальному утверждению типа | |
| II. | Установка устройств визуализации движения задним ходом..... | |
| 12. | Определения | |
| 13. | Заявка на официальное утверждение | |
| 14. | Официальное утверждение | |
| 15. | Требования..... | |
| 16. | Требования к системе видеокамеры заднего вида | |
| 17. | Требования в отношении систем обнаружения..... | |
| 18. | Изменение типа транспортного средства и распространение официального утверждения..... | |
| 19. | Соответствие производства..... | |
| 20. | Санкции, налагаемые за несоответствие производства | |
| 21. | Окончательное прекращение производства..... | |

¹ Номер Правил станет известен в момент вступления настоящих Правил ООН в силу. Предполагается, что вместо [XXX] будет указан номер Правил, как только он станет известен.
² Номера страниц будут добавлены позднее.

22. Названия и адреса технических служб, уполномоченных проводить испытания на официальное утверждение, и органов по официальному утверждению типа

Приложения

- 1 Информационный документ для официального утверждения типа устройства визуализации движения задним ходом
- 2 Информационный документ для официального утверждения типа транспортного средства в отношении установки устройств визуализации движения задним ходом.....
- 3 Сообщение, касающееся предоставления официального утверждения или распространения официального утверждения, или отказа в официальном утверждении, или отмены официального утверждения, или окончательного прекращения производства типа устройства визуализации движения задним ходом на основании Правил № [XXX] ООН.....
- 4 Сообщение, касающееся предоставления официального утверждения или распространения официального утверждения, или отказа в официальном утверждении, или отмены официального утверждения, или окончательного прекращения производства типа транспортного средства в отношении установки устройств визуализации движения задним ходом на основании Правил № [XXX] ООН ...
Добавление
- 5 Схема знака официального утверждения устройства непрямого обзора.....
- 6 Метод испытания для определения отражающей способности.....
- 7 Процедура определения радиуса кривизны “г” отражающей поверхности зеркала
- 8 Процедура определения точки “Н” и фактического угла наклона туловища сидящего в автомобиле водителя или пассажира.....
Добавление 1 — Описание объемного механизма определения точки “Н” (механизма 3-D Н).....
Добавление 2 — Трехмерная система координат
- Добавление 3 — Контрольные параметры, касающиеся мест для сидения
- 9 Методы испытания устройств заднего вида ближнего обзора
- 10 Методы проведения испытаний систем обнаружения.....

Введение (для информации)

Цель настоящих Правил состоит в том, чтобы предусмотреть положения, касающиеся движения задним ходом, применительно к предупреждению о присутствии уязвимых участников дорожного движения в непосредственной близости. Предписания в отношении непрямого обзора механических транспортных средств содержатся в Правилах № 46 ООН.

Настоящими Правилами невозможно охватить все условия дорожного движения и особенности инфраструктуры в процессе официального утверждения типа; в настоящих Правилах признается, что требуемая ими эффективность не может быть достигнута при любых условиях (на эффективность системы могут повлиять скорость и состояние транспортного средства, погодные условия, сценарии движения и т. д.).

1. Область применения

Настоящие Правила применяются:

- 1.1 к официальному утверждению определенных в части I устройств обеспечения безопасности при движении задним ходом, предназначенных для установки на транспортных средствах категорий M и N;
- 1.2 к официальному утверждению определенного в части II порядка установки на транспортном средстве устройств обеспечения безопасности при движении задним ходом, если транспортные средства категорий M и N оснащаются таковыми.
- 1.3 По просьбе изготовителя Договаривающиеся стороны могут предоставлять официальные утверждения на основании частей I и II в отношении транспортных средств других категорий и устройств, предназначенных для установки на таких транспортных средствах.
- 1.4 Требование относительно соответствия предписаниям настоящих Правил не распространяется на нижеследующие транспортные средства категорий M и N.

По решению органа по официальному утверждению типа транспортные средства, у которых установка какого-либо устройства обеспечения безопасности при движении задним ходом несовместима с их использованием в дорожных условиях, могут быть частично или полностью освобождены от действия настоящих Правил.
- 1.5 Если на транспортном средстве имеется несколько соответствующих устройств, то изготовитель может конкретно указать устройство, отвечающее положениям настоящих Правил.

Часть I Устройства визуализации движения задним ходом

2. Определения

Для целей настоящих Правил:

- 2.1 "устройства визуализации движения задним ходом" означают устройства, предназначенные для обеспечения четкой видимости того, что находится сзади транспортного средства, в пределах полей обзора, определенных в пункте 15.2. Этими устройствами могут быть обычные зеркала, система видеокamеры заднего вида либо другие устройства, способные давать информацию водителю о поле обзора;

- 2.1.1 “*устройство заднего вида ближнего обзора*” означает устройство, обеспечивающее поле обзора, определенное в пункте 15.2 настоящих Правил;
- 2.1.2 “*устройства непрямого обзора*” означают устройства, которые передают информацию о полях обзора, определенных в пункте 15.2;
- 2.1.2.1 “*система видеокамеры заднего вида (СВЗВ)*” означает любую систему, предназначенную для передачи изображения внешнего мира и обеспечения четкой видимости того, что находится сзади транспортного средства в пределах полей обзора, определенных в пункте 15.2, с помощью видеокамеры;
- 2.1.2.1.1 “*яркостный контраст*” означает соотношение яркости какого-либо объекта и его непосредственного фона/окружения, позволяющее выделять этот объект из его фона/окружения. Данное определение соответствует определению, содержащемуся в стандарте ISO 9241-302:2008;
- 2.1.2.1.2 “*разрешающая способность*” означает мельчайший элемент, видимый при помощи перцепционной системы, т. е. воспринимаемый как отдельная деталь общего целого. Разрешающую способность человеческого глаза указывают в качестве “оптической резкости”;
- 2.1.2.1.3 “*визуальный спектр*” означает свет, длина волны которого находится в пределах границ восприятия человеческих глаз: 380–780 нм;
- 2.1.2.2 “*зеркало заднего вида ближнего обзора*” означает любое устройство, за исключением таких устройств, как перископы, предназначенное для обеспечения четкой видимости того, что находится сзади транспортного средства, в пределах полей обзора, определенных в пункте 15.2, с помощью отражающей поверхности;
- 2.1.2.2.1 “*r*” означает среднее радиусов кривизны, измеренных по отражающей поверхности в соответствии с методом, описанным в приложении 7;
- 2.1.2.2.2 “*основные радиусы кривизны в одной точке отражающей поверхности (r_i)*” означают величины, полученные с использованием прибора, определенного в приложении 7, и измеренные по дуге отражающей поверхности, проходящей через центр этой поверхности параллельно сегменту b, определенному в пункте 6.1.2.1.2 настоящих Правил, и по дуге, перпендикулярной этому сегменту;
- 2.1.2.2.3 “*радиус кривизны в одной точке отражающей поверхности (r_p)*” означает среднее арифметическое основных радиусов кривизны r_i и r_i['], т. е.:
- $$r_p = \frac{r_i + r_i'}{2};$$
- 2.1.2.2.4 “*сферическая поверхность*” означает поверхность, имеющую постоянный и одинаковый радиус во всех направлениях;
- 2.1.2.2.5 “*несферическая поверхность*” означает поверхность, имеющую постоянный радиус лишь в одной плоскости;
- 2.1.2.2.6 “*несферическое зеркало*” означает зеркало, состоящее из сферической и несферической частей, в котором должен быть обозначен переход отражающей поверхности от сферической к несферической части. Кривизну основной оси зеркала определяют в системе координат x/y, определяемой радиусом исходного сферического сочленения по формуле:

$$y = R - \sqrt{(R^2 - x^2) + k(x-a)^3},$$

где:

R – номинальный радиус в сферической части,

k – постоянная для изменения кривизны,

a – постоянная для сферической величины первоначального сферического сочленения;

- 2.1.2.2.7 “*центр отражающей поверхности*” означает центр видимой зоны отражающей поверхности;
- 2.1.2.2.8 “*радиус кривизны составных элементов зеркала*” означает радиус “с” дуги окружности, которая в наибольшей степени приближается к кривизне рассматриваемого элемента;
- 2.1.2.3 “*другие устройства непрямого обзора*” означают устройства, определенные в пункте 2.1.2 выше и не обеспечивающие поле обзора при помощи зеркала или системы видеокамеры заднего вида;
- 2.1.3 “*испытываемый объект*” означает объект цилиндрической формы высотой 0,8 м и диаметром 0,30 м;
- 2.1.4 “*поле обзора*” означает часть трехмерного пространства над уровнем грунта, которая контролируется при помощи устройства непрямого обзора. Если не оговорено иное, то оно соответствует видимости, обеспечиваемой данным устройством и/или устройствами, помимо зеркала. Оно может быть ограничено соответствующим расстоянием обнаружения до испытываемого объекта;
- 2.1.5 “*система обнаружения*” означает систему, использующую сигналы, позволяющие водителю обнаруживать объекты в зоне, прилегающей к транспортному средству;
- 2.1.5.1 “*звуковая информация*” означает информацию в виде звуковых сигналов, поступающих от системы обнаружения, определенной в пункте 2.1.5 выше, и позволяющих водителю обнаруживать объекты в зоне, прилегающей к транспортному средству;
- 2.1.5.2 “*оптическая информация*” означает информацию в виде оптических сигналов, поступающих от системы обнаружения, определенной в пункте 2.1.5 выше, и позволяющих водителю обнаруживать объекты в зоне, прилегающей к транспортному средству;
- 2.1.5.3 “*тактильная информация*” означает информацию в виде тактильных сигналов, поступающих от системы обнаружения, определенной в пункте 2.1.5 выше, и позволяющих водителю обнаруживать объекты в зоне, прилегающей к транспортному средству;
- 2.1.6 “*поле обнаружения*” означает часть трехмерного пространства над уровнем грунта, которая контролируется при помощи системы обнаружения;
- 2.2 “*тип устройства обеспечения безопасности при движении задним ходом*” означает устройства, не имеющие между собой различий в отношении следующих существенных характеристик:
- конструкции устройства, в том числе средств крепления к кузову, если они имеются,
 - в случае зеркал: формы, размеров и радиуса кривизны отражающей поверхности зеркала,

- c) в случае системы видекамеры заднего вида: поля обзора, увеличения,
- d) в случае систем обнаружения: типа датчика, типа информационного сигнала.

3. Заявка на официальное утверждение

- 3.1 Заявка на официальное утверждение типа устройства непрямого обзора подается держателем торгового наименования или товарного знака либо надлежащим образом уполномоченным представителем.
- 3.2 Образец информационного документа приведен в приложении 1.
- 3.3 Применительно к каждому типу устройства непрямого обзора к заявке прилагают три образца частей.
- 3.4 Податель заявки прилагает к СВЗВ следующие документы:
 - a) техническая спецификация СВЗВ; и
 - b) руководство по эксплуатации.

4. Маркировка

- 4.1 На образцы устройств непрямого обзора, представленных на официальное утверждение, наносят торговое наименование или товарный знак изготовителя; эта маркировка должна быть четкой и нестираемой.
- 4.2 На каждом устройстве непрямого обзора должно быть, по крайней мере на одном из основных компонентов, место, достаточное для нанесения знака официального утверждения, который должен быть удобочитаемым; это место указывают на чертежах, упомянутых в приложении 1. Кроме того, знак официального утверждения должен быть видимым, когда устройство установлено на транспортном средстве, за исключением системы видекамеры заднего вида, определенной в пункте 2.1.2, либо системы обнаружения, определенной в пункте 2.1.5. На другие компоненты устройства наносят средства идентификации. В случае ограниченности места для знака(ов) официального утверждения предусматривают другие средства идентификации, обеспечивающие отсылку к знаку официального утверждения.

5. Официальное утверждение

- 5.1 Если образцы, представленные на официальное утверждение, отвечают требованиям пункта 6 настоящих Правил, то данный тип устройства непрямого обзора считают официально утвержденным.
- 5.2 Каждому официально утвержденному типу присваивают номер официального утверждения, первые две цифры которого (в настоящее время 00) указывают серию поправок, включающих последние наиболее значительные технические изменения, внесенные в Правила к моменту предоставления официального утверждения. Одна и та же Договаривающаяся сторона не может присвоить этот номер другому типу устройства непрямого обзора.
- 5.3 Стороны Соглашения, применяющие настоящие Правила, уведомляются об официальном утверждении, отказе в официальном утверждении, распространении или отмене официального утверждения либо об окончательном прекращении производства того или иного типа

- устройства непрямого обзора на основании настоящих Правил посредством карточки, соответствующей образцу, приведенному в приложении 3 к настоящим Правилам.
- 5.4 По крайней мере на один из основных компонентов каждого устройства непрямого обзора, соответствующего типу, официально утвержденному на основании настоящих Правил, помимо знака, предписанного в пункте 4.1 выше, и в указанном в пункте 4.2 выше месте наносят хорошо видимый международный знак официального утверждения, состоящий из:
- 5.4.1 круга с проставленной в нем буквой "E", за которым следуют:
- a) отличительный номер страны, предоставившей официальное утверждение³; и
 - b) номер настоящих Правил, а далее буква "R", тире и номер официального утверждения.
- 5.5 Знак официального утверждения и дополнительное(ые) обозначение(я) должны быть четкими и нестираемыми.
- 5.6 В приложении 5 к настоящим Правилам приведен образец схемы знака официального утверждения и дополнительного обозначения, упомянутых выше.

6. Требования

- 6.1 Зеркала заднего вида ближнего обзора
- 6.1.1 Общие технические требования
- 6.1.1.1 Все зеркала могут быть регулируемыми.
- 6.1.2 Особые технические требования
- 6.1.2.1 Размеры
- 6.1.2.1.1 Контуры отражающей поверхности должны иметь простую геометрическую форму, а ее размеры должны быть такими, чтобы зеркало обеспечивало поле обзора, предписанное в пункте 15.2 настоящих Правил.
- 6.1.2.1.2 Отражающая поверхность должна иметь такие размеры, чтобы в них можно было вписать:
- a) прямоугольник, высота которого составляет 40 мм, а основание, измеренное в мм, равно "а";
 - b) сегмент, который параллелен высоте прямоугольника и длина которого, выраженная в мм, равна "b".
- 6.1.2.2 Отражающая поверхность и коэффициенты отражения
- 6.1.2.2.1 Отражающая поверхность зеркала должна быть плоской или иметь форму выпуклой сферы. Внешние зеркала могут оснащаться дополнительным несферическим компонентом при условии, что основное зеркало соответствует требованиям, касающимся поля непрямого обзора.

³ Отличительные номера Договаривающихся сторон Соглашения 1958 года указаны в приложении 3 к Сводной резолюции о конструкции транспортных средств (CP.3), документ ECE/TRANS/WP.29/78/Rev.6. URL: www.unecce.org/trans/main/wp29/wgs/wp29gen/wp29resolutions.html.

- 6.1.2.2.2 Расхождения между радиусами кривизны зеркал
- 6.1.2.2.2.1 Разница между r_1 или r'_1 и r_p в каждой опорной точке не должна превышать 0,15 г.
- 6.1.2.2.2.2 Разница между любым из радиусов кривизны (r_{p1} , r_{p2} , и r_{p3}) и r не должна превышать 0,15 г.
- 6.1.2.2.2.3 Если $r \geq 3\ 000$ мм, то значение 0,15 г, указанное в пунктах 6.1.2.2.2.1 и 6.1.2.2.2.2 выше, заменяют на 0,25 г.
- 6.1.2.2.3 Значение обычного коэффициента отражения, определяемое по методу, описанному в приложении 6, должно составлять не менее 40 %.
- В случае отражающих поверхностей с изменяющейся степенью отражения положение "день" должно обеспечивать возможность распознавания цвета сигнальных знаков дорожного движения. Значение обычного коэффициента отражения в положении "ночь" должно быть не ниже 4 %.
- 6.1.2.2.4 Отражающая поверхность должна сохранять характеристики, предписанные в пункте 6.1.2.2.3 выше, несмотря на продолжительное воздействие неблагоприятных погодных условий при нормальном режиме эксплуатации.
- 6.2 Устройства заднего вида непрямого ближнего обзора, не являющиеся зеркалами
- 6.2.1 Общие требования
- 6.2.1.1 На эффективность СВЗВ и других устройств улучшения заднего вида ближнего обзора не должны отрицательным образом влиять магнитные или электрические поля. Это предписание считается выполненным, если соблюдаются технические требования и переходные положения поправок серии 05 или любой иной более поздней серии поправок к Правилам № 10 ООН.

7. Изменение типа устройства визуализации движения задним ходом и распространение официального утверждения

- 7.1 Каждое изменение существующего типа устройства непрямого обзора, включая его крепление к кузову, доводят до сведения органа по официальному утверждению типа, который официально утвердил данный тип устройства непрямого обзора. В таком случае орган по официальному утверждению типа либо:
- решает, в консультации с изготовителем, что новое официальное утверждение типа должно быть предоставлено; либо
 - применяет процедуру по пункту 7.1.1 (пересмотр) и, если это применимо, процедуру по пункту 7.1.2 (распространение).
- 7.1.1 Пересмотр
- Если сведения, зарегистрированные в информационной папке, изменились и орган по официальному утверждению типа считает, что внесенные изменения не окажут значительного неблагоприятного воздействия и что в любом случае данное устройство непрямого обзора по-прежнему удовлетворяет предъявляемым требованиям, изменение обозначают как "пересмотр".

В таком случае орган по официальному утверждению типа при необходимости издает пересмотренные страницы информационной папки, четко указывая на каждой пересмотренной странице характер изменения и дату переиздания. Считается, что сводный обновленный вариант информационной папки, сопровождаемый подробным описанием изменения, отвечает данному требованию.

- 7.1.2 **Распространение**
- Изменение обозначают как “распространение”, если помимо изменения сведений, зарегистрированных в информационной папке,
- a) требуются дополнительные осмотры или испытания, либо
 - b) изменились какие-либо данные в карточке сообщения (за исключением приложений к ней), либо
 - c) запрашивается официальное утверждение на основании более поздней серии поправок после ее вступления в силу.
- 7.2 Подтверждение официального утверждения с указанием внесенных изменений или отказ в официальном утверждении доводят до сведения Сторон Соглашения, применяющих настоящие Правила, в соответствии с процедурой, определенной в пункте 5.3 выше. Кроме того, соответствующим образом изменяют индексный указатель к информационному пакету, прилагаемый к карточке сообщения, с указанием даты самого последнего пересмотра или распространения.
- 7.3 Орган по официальному утверждению типа, распространяющий официальное утверждение, присваивает порядковый номер каждой карточке сообщения, составляемой для такого распространения.

8. Соответствие производства

- 8.1 Процедура проверки соответствия производства должна соответствовать процедурам, изложенным в приложении I к Соглашению (E/ECE/TRANS/505/Rev.3).
- 8.2 Каждое устройство непрямого обзора, официально утвержденное на основании настоящих Правил, должно быть изготовлено таким образом, чтобы оно соответствовало официально утвержденному типу, удовлетворяя требованиям, изложенным в пункте 6 выше.

9. Санкции, налагаемые за несоответствие производства

- 9.1 Официальное утверждение, предоставленное в отношении типа устройства непрямого обзора на основании настоящих Правил, может быть отменено, если не соблюдаются требования пункта 8.1 выше или если данный тип устройства непрямого обзора не удовлетворяет требованиям, приведенным в пункте 8.2 выше.
- 9.2 Если какая-либо Договаривающаяся сторона Соглашения, применяющая настоящие Правила, отменяет предоставленное ею ранее официальное утверждение, то она незамедлительно уведомляет об этом другие Договаривающиеся стороны, применяющие настоящие Правила, посредством карточки сообщения, в конце которой крупным шрифтом делают отметку “ОФИЦИАЛЬНОЕ УТВЕРЖДЕНИЕ ОТМЕНЕНО” и проставляют подпись и дату.

10. Окончательное прекращение производства

Если держатель официального утверждения полностью прекращает производство того или иного типа устройства непрямого обзора, официально утвержденного на основании настоящих Правил, он информирует об этом орган по официальному утверждению типа, предоставивший официальное утверждение. По получении соответствующего сообщения данный орган информирует о нем другие Стороны Соглашения, применяющие настоящие Правила, посредством копии карточки официального утверждения, в конце которой крупным шрифтом делают отметку “ПРОИЗВОДСТВО ПРЕКРАЩЕНО” и проставляют подпись и дату.

11. Названия и адреса технических служб, уполномоченных проводить испытания на официальное утверждение, и органов по официальному утверждению типа

Договаривающиеся стороны Соглашения, применяющие настоящие Правила, сообщают в Секретариат Организации Объединенных Наций названия и адреса технических служб, уполномоченных проводить испытания на официальное утверждение, и органов по официальному утверждению типа, которые предоставляют официальные утверждения и которым должны направляться выдаваемые в других странах регистрационные карточки официального утверждения, отказа в официальном утверждении, распространения или отмены официального утверждения.

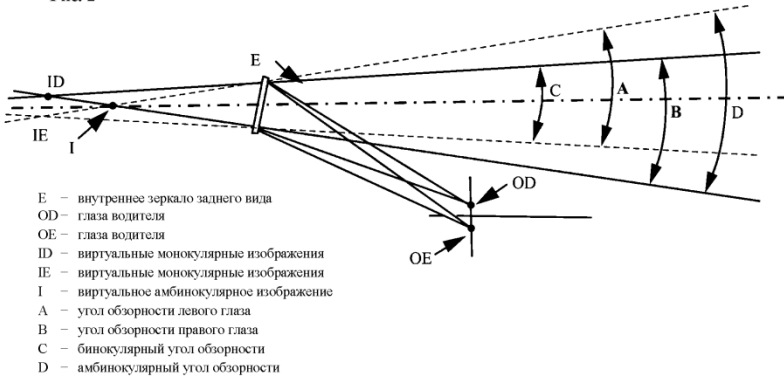
Часть II Установка устройств визуализации движения задним ходом

12. Определения

Для целей настоящих Правил:

- 12.1 “*окулярные точки водителя*” означают две точки, удаленные друг от друга на 65 мм и расположенные вертикально на расстоянии 635 мм над точкой R, обозначающей сиденье водителя и определенной в приложении 8. Соединяющая их прямая должна быть перпендикулярна вертикальной продольной средней плоскости транспортного средства. Центр сегмента, ограниченного двумя окулярными точками, располагается на вертикальной продольной плоскости, которая должна проходить через центр сиденья водителя, определенного изготовителем транспортного средства;
- 12.2 “*амбинокулярный обзор*” означает полное поле обзора, получаемое наложением монокулярных полей правого и левого глаза (см. рис. 2 ниже);

Рис. 2



- 22.3 “тип транспортного средства в отношении повышения осведомленности водителя об уязвимых участниках дорожного движения, находящихся позади транспортного средства” означает механические транспортные средства, не имеющие между собой различий в отношении следующих основных аспектов:
- 22.3.1 типа устройства визуализации движения задним ходом,
- 22.3.2 характеристик кузова, ограничивающих поле обзора,
- 22.3.3 координат точки R (когда это применимо),
- 22.3.4 предписанных положений и маркировки официального утверждения типа обязательных и факультативных (в случае их установки) оптических устройств непрямого обзора;
- 22.4 “транспортные средства категорий M_1 , M_2 , M_3 , N_1 , N_2 и N_3 ” означают транспортные средства, определенные в Сводной резолюции о конструкции транспортных средств (CP.3) (документ ECE/TRANS/WP.29/78/Rev.6);
- 22.5 “окулярная исходная точка” означает среднюю точку между окулярными точками водителя;
- 22.6 “смещение назад” означает промежуток времени с момента начала и до момента завершения движения задним ходом согласно описанию, приведенному в пункте 15.1.1 настоящих Правил;
- 22.7 “окулярные точки, соответствующие расположению глаз обращенной назад головы водителя” означают две точки, расположенные в продольном направлении на расстоянии 96 мм позади определенных в пункте 12.1 “окулярных точек водителя”, в горизонтальной плоскости — по центру транспортного средства на расстоянии 158 мм от них и по вертикали — на расстоянии 6 мм над ними;
- 22.8 “активный режим транспортного средства” означает такой его режим, при котором:
- силовой агрегат приводит транспортное средство в движение при отключении тормозной системы и в некоторых случаях после нажатия на педаль акселератора (либо включения эквивалентного органа управления).

13. Заявка на официальное утверждение

- 13.1 Заявка на официальное утверждение типа транспортного средства в отношении установки устройств непрямого обзора подается изготовителем транспортного средства либо его надлежащим образом уполномоченным представителем.
- 13.2 Образец информационного документа приведен в приложении 2.
- 13.3 Технической службе, ответственной за проведение испытаний на официальное утверждение, передается транспортное средство, представляющее тип транспортного средства, подлежащий официальному утверждению.
- 13.4 До предоставления официального утверждения типа орган по официальному утверждению типа проверяет наличие удовлетворительных мер по обеспечению эффективного контроля за соответствием производства.
- 13.5 Податель заявки прилагает к СВЗВ следующие документы:
- а) техническую спецификацию СВЗВ;
 - б) руководство по эксплуатации.

14. Официальное утверждение

- 14.1 Если тип транспортного средства, представленный на официальное утверждение в соответствии с пунктом 13 выше, удовлетворяет требованиям пункта 15 настоящих Правил, то данный тип транспортного средства считают официально утвержденным.
- 14.2 Каждому официально утвержденному типу присваивают номер официального утверждения, первые две цифры которого (в настоящее время 00) указывают серию поправок, включающую последние наиболее значительные технические изменения, внесенные в Правила к моменту предоставления официального утверждения. Одна и та же Договаривающаяся сторона не может присвоить этот номер другому типу транспортного средства.
- 14.3 Стороны Соглашения, применяющие настоящие Правила, уведомляются об официальном утверждении, отказе в официальном утверждении, распространении или отмене официального утверждения типа транспортного средства на основании настоящих Правил посредством карточки, соответствующей образцу, приведенному в приложении 4 к настоящим Правилам.

15. Требования

- 15.1 Общие положения
- Для целей настоящих Правил транспортное средство должно отвечать нижеследующим требованиям.
- При смещении назад водителю должно предоставляться не менее одного средства обеспечения обзора или информирования.
- Средства обзора обеспечивают поле обзора устройства заднего вида ближнего обзора, определенное в пункте 15.2 ниже. Возможными средствами являются:
- а) прямой обзор,
 - б) устройства, официально утвержденные на основании Правил № 46 ООН,

- c) зеркало заднего вида ближнего обзора, соответствующее настоящим Правилам,
- d) система видеокamеры заднего вида, соответствующая настоящим Правилам.

Средства информирования обеспечивают информацию, не относящуюся к видимости поля обнаружения, определенного в пункте 15.3 ниже. Возможными средствами являются:

- a) система обнаружения, соответствующая настоящим Правилам.

15.1.1 Смещение назад начинается в тот момент, когда транспортное средство находится в своем активном режиме и водитель или система управления переводит переключатель направления движения транспортного средства из положения "вперед", "стоянка" или "нейтральная передача" в положение заднего хода, и завершается, по выбору изготовителя, когда выполняется одно из следующих условий движения транспортного средства вперед:

- a) скорость ≤ 16 км/ч (включая 0 км/ч),
- b) пройденное расстояние ≤ 10 метров (включая 0 метров),
- c) продолжительность непрерывного перемещения ≤ 10 секунд (включая 0 секунд) или
- d) переключатель направления движения автомобиля не установлен в положение заднего хода.

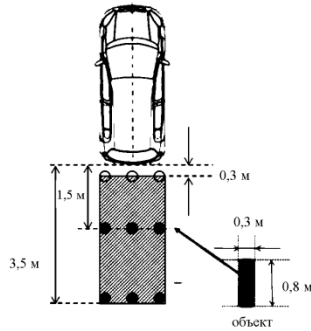
15.2 Поле обзора устройства заднего вида ближнего обзора

Поле обзора ограничивается следующими плоскостями:

- a) поперечной вертикальной плоскостью, проходящей через точку, удаленную на 0,3 м от крайней точки задней части транспортного средства;
- b) поперечной вертикальной плоскостью, проходящей через точку, отстоящую на 3,5 м от крайней точки задней части транспортного средства;
- c) двумя продольными вертикальными плоскостями, параллельными продольной вертикальной средней плоскости и проходящими через крайнюю боковую точку транспортного средства с каждой стороны.

Высота поля обзора определяется в девяти положениях в границах поля обзора с испытываемыми объектами высотой 0,8 м и диаметром 0,3 м, находящимися на плоскости земли, как показано на рис. 3 ниже:

Рис. 3
Поле обзора устройства заднего вида ближнего обзора



15.2.1 Требования

При испытании в условиях, определенных в приложении 9, требования относительно поля обзора устройства заднего вида ближнего обзора считаются выполненными, если может быть видимым определенное поле обзора:

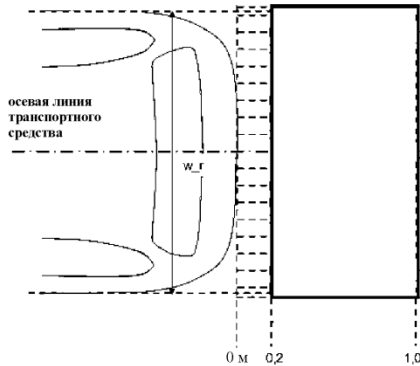
- a) применительно к испытуемым объектам в первом ряду (испытуемые объекты А, В и С):
закрашенный участок размером 0,15 м x 0,15 м или верхняя часть испытуемого объекта должны быть видимыми на каждом объекте по крайней мере в одном положении;
- b) применительно к испытуемым объектам во втором (испытуемые объекты D, E и F) и третьем (испытуемые объекты G, H и I) рядах:

весь испытуемый объект должен быть видимым; причем:

- 15.2.1.1 посредством прямого обзора из окулярных точек, соответствующих расположению глаз обращенной назад головы водителя; или
- 15.2.1.2 посредством прямого обзора из окулярных точек, соответствующих расположению глаз обращенной назад головы водителя, в сочетании с зеркалом заднего вида ближнего обзора, установленным в задней оконечности транспортного средства и улучшающим такой прямой обзор; или
- 15.2.1.3 через устройство непрямого обзора (зеркала или СВМ либо иного устройства), официально утвержденного на основании Правил № 46 ООН; или
- 15.2.1.4 через устройство непрямого обзора (зеркала или СВЗВ либо иного устройства), соответствующего настоящим правилам;
- 15.2.1.5 через устройство системы обнаружения, соответствующее настоящим Правилам, за исключением поля обнаружения (например, очень малого радиуса действия); или
- 15.2.1.6 посредством сочетания устройств, указанных в пунктах 15.2.1.3, 15.2.1.4 и 15.2.1.5, за исключением сочетания СВЗВ и зеркал(а) либо зеркала заднего вида ближнего обзора.
- 15.2.1.7 Варианты 15.2.1.1 и 15.2.1.2 применяются только к транспортным средствам категорий M₁ и N₁, когда расстояние между окулярными точками, соответствующими расположению глаз обращенной назад

- голове водителя, и задней частью транспортного средства не превышает 2000 мм и когда транспортное средство имеет один ряд сидений.
- 15.2.2 Поле обзора устройства заднего вида ближнего обзора устанавливаются на основе амбинокулярного обзора, причем глаза водителя находятся в "окулярных точках", определенных в пункте 12.1 выше. Поля обзора определяются на транспортном средстве в снаряженном состоянии, определенном в Сводной резолюции о конструкции транспортных средств (СР.3) (ECE/TRANS/WP.29/78/Rev.6, пункт 2.2.5.4), а для транспортных средств категорий M₁ и N₁ — дополнительно с одним пассажиром, сидящим на переднем сиденье (75 кг). Когда поле обзора обеспечивается через окна, остекление должно иметь общий коэффициент пропускания света, соответствующий положениям приложения 24 к Правилам № 43 ООН.
- В случае прямого обзора из окулярных точек, соответствующих расположению глаз обращенной назад головы водителя, подголовники задних сидений должны быть отрегулированы по вертикали и установлены на высоте, соответствующей расчетному положению предполагаемого использования либо — если подголовник имеет несколько положений регулировки или согласованное с технической службой положение — самому высокому положению.
- 15.2.3 В случае сочетания устройств каждый поперечный ряд испытуемых объектов должен просматриваться при помощи одного устройства. Поле обзора устройства заднего вида ближнего обзора обеспечивается минимальным числом зеркал и мониторов.
- 15.2.4 В случае зеркал, состоящих из нескольких отражающих поверхностей, которые либо имеют различную кривизну, либо создают угол друг с другом, по крайней мере одна из этих отражающих поверхностей должна обеспечивать поле обзора и иметь размеры, указанные для того класса, к которому эти зеркала относятся.
- 15.3 Поле обнаружения
- Поле обнаружения ограничивается следующими плоскостями (см. рис. 4):
- поперечной вертикальной плоскостью, проходящей через точку, удаленную на 200 мм от крайней точки задней части транспортного средства;
 - поперечной вертикальной плоскостью, проходящей через точку, отстоящую на 1000 мм от крайней точки задней части транспортного средства;
 - двумя продольными вертикальными плоскостями, параллельными продольной вертикальной средней плоскости и проходящими через крайнюю боковую точку транспортного средства с каждой стороны.

Рис. 4
Поле обнаружения



15.3.1 При проведении испытаний в условиях, определенных в приложении 10, требование в отношении поля обнаружения считается выполненным, если водителю представляется информация, определенная в пункте 17.2.

15.4 Устройства визуализации движения задним ходом

15.4.1 Места установки

15.4.1.1 Устройства непрямого обзора устанавливаются таким образом, чтобы водитель, сидящий на своем месте в обычном положении, при вождении мог наблюдать за дорогой позади транспортного средства, сбоку (с боков) от него и впереди него.

15.4.1.2 Для любого транспортного средства, на котором во время проведения испытаний по замеру поля обзора не был установлен кузов, минимальная и максимальная ширина кузова должна указываться изготовителем и при необходимости обозначаться временными габаритными планками. Все принимаемые во внимание в ходе испытаний конфигурации транспортных средств и устройств непрямого обзора указываются в свидетельстве об официальном утверждении транспортного средства в отношении установки устройств непрямого обзора (см. приложение 4).

15.4.1.3 Устройства непрямого обзора не должны выходить за внешние габариты кузова транспортного средства больше, чем это необходимо для выполнения требований, касающихся полей обзора.

15.4.1.4 Устройства непрямого обзора должны устанавливаться таким образом, чтобы при перемещении они значительно не изменяли расчетное поле обзора и в случае вибрации не давали искаженного изображения, которое могло бы быть неправильно воспринято водителем.

16. Требования к системе видекамеры заднего вида

16.1 Вид по умолчанию

В режиме “вид по умолчанию” поле обзора СВЗВ должно, как минимум, соответствовать определению, содержащемуся в пункте 15.2.

- При начале каждого смещения назад система СВЗВ — независимо от любых выбранных ранее водителем изменений поля обзора — должна по умолчанию переходить в режим изображения заднего вида.
- 16.1.1 Размер объекта
- При измерении изображения заднего вида в соответствии с пунктом 3 приложения 9 расчетный визуальный угол, вычитаемый из горизонтальной ширины:
- a) всех трех испытуемых объектов на последнем ряду, указанных в пункте 15.2, в среднем должен составлять не менее 5 минут дуги и
 - b) каждого индивидуального испытуемого объекта, должен составлять не менее 3 минут дуги.
- 16.1.1.1 Регулировка яркости и контрастности
- Если предусмотрена ручная настройка, то в руководстве по эксплуатации должна содержаться информация о том, как изменить яркость/контрастность.
- 16.1.1.2 Требования к наложению изображения в пределах требуемого поля обзора
- Наложения изображения позволяют отображать только связанную с вождением визуальную информацию в направлении, противоположном направлению движения, либо информацию, связанную с безопасностью. Всекие наложения изображения для иных информационных целей запрещаются.
- Ручные наложения изображений допускаются только в том случае, если водителю необходимо активировать какую-либо функцию, связанную с движением задним ходом или обеспечением безопасности (например, очистки расщепителей или обеспечения видимости сцепного устройства), либо ему требуется конкретная информация в таких условиях. Водитель может иметь возможность отключить налагаемое изображение.
- 16.1.1.3 Выключение
- При движении назад изображение заднего вида должно оставаться видимым до тех пор, пока либо водитель не изменит поле обзора, либо переключатель направления движения транспортного средства больше не будет находиться в положении заднего хода.
- Изменение поля обзора означает переход к любым другим изображениям, обеспечиваемым видеокамерой.
- Функцию изображения можно отключить вручную, когда транспортное средство не движется задним ходом.
- Система может быть отключена, когда транспортное средство обнаруживает сцепку при наличии сцепного устройства.
- 16.1.1.4 Автоматическое изменение поля обзора
- При возникновении опасности столкновения допускается изменение поля обзора с фокусированием на зоне потенциального столкновения. Технической службе должно быть продемонстрировано, что такое изменение поля обзора повышает уровень безопасности.
- Если транспортное средство движется не по прямой, то поле обзора может смещаться в направлении траектории движения транспортного средства.

- 16.1.2 **Операционная готовность (эксплуатационная доступность системы)**
 Водитель должен иметь возможность видеть, что система находится в нерабочем состоянии (например, при отказе СВЗВ, т.е. в качестве предупреждающего сигнала, отображаемой информации, черного экрана, отсутствия индикатора состояния). Информация для водителя должна быть разъяснена в руководстве по эксплуатации.
- 16.1.2.1 **Время срабатывания**
 Изображение заднего вида, соответствующее требованиям, изложенным в пункте 15.2, должно обеспечиваться не позднее чем через 2,0 с после начала движения назад при испытаниях, проводимых в соответствии с пунктом 2 приложения 9.
- 16.1.3 **Монитор в транспортном средстве**
- 16.1.3.1 **Предусмотренное монитором поле должно быть видимым без каких-либо помех при наблюдении из окулярной исходной точки. Допускается виртуальное испытание.**
- 16.1.4 **Помехи для прямого обзора водителем, создаваемые в результате установки устройства непрямого обзора, должны быть ограничены до минимума.**
- 16.2 **Транспортные средства могут оборудоваться дополнительными устройствами непрямого обзора.**
- 16.3 **Независимо от положений, указанных выше, любая иная концепция конструкции должна быть подтверждена к удовлетворению технической службы с учетом концепции безопасности в соответствии с изложенными выше положениями.**

17. Требования в отношении систем обнаружения

- 17.1 **Включение системы**
 Система включается при начале смещения назад. Если обеспечить надлежащее функционирование системы невозможно, то либо происходит ее автоматическое отключение, либо водитель должен иметь возможность отключить систему вручную.
 Система обнаружения должна оставаться активированной до тех пор, пока переключатель направления движения транспортного средства находится в положении заднего хода.
 В случае если транспортное средство может обнаружить прицеп при наличии сцепного устройства, система может быть отключена.
- 17.2 **Водительский интерфейс и стратегия подачи информации**
- 17.2.1 Система должна обеспечивать возможность подачи по меньшей мере двух видов информационных сигналов: звукового, оптического или тактильного.
- 17.2.1.1 **Пока один информационный сигнал остается активированным, водитель может деактивировать другие информационные сигналы.**
- 17.2.2 **Звуковая информация**
 В случае обнаружения в зоне горизонтальной задней проекции, указанной в пункте 1.3 приложения 10, какого-либо объекта в соответствии со стандартом ISO 15006:2011, когда выбрана/включена передача заднего хода, подается информационный звуковой сигнал.
 При подаче информационного звукового сигнала распознавание расстояния сближения может осуществляться на двух или более уровнях. Обозначение зон, дифференцируемых по уровням (расстоянию) и

- ширине обнаружения, возможно за счет изменения частоты прерывистого звукового сигнала, причем по мере уменьшения расстояния сближения звуковой сигнал становится все более прерывистым или же непрерывным.
- 17.2.3 Продолжительность подачи предупреждающего сигнала
- Подача предупреждающего сигнала осуществляется до тех пор, пока наличие объекта фиксируется датчиками, и заканчивается в момент прекращения обнаружения объекта либо при отключении системы.
- По истечении определенного периода времени, установленного изготовителем, для уменьшения причиняемого водителю неудобства подача звукового сигнала автоматически может временно прерываться, причем система остается активированной. Если, в условиях автоматического прерывания звукового сигнала, расстояние до объекта сокращается, то подача звукового сигнала автоматически возобновляется. Если же расстояние до объекта увеличивается, то подача звукового сигнала может оставаться приостановленной.
- 17.2.4 Оптическая информация
- Если на какой-либо монитор, используемый для передачи иной информации, помимо оптической, например на модельный дисплей измерительных устройств или на другие дисплеи, передается оптическая информация, то допускается наложение изображений, соответствующее требованиям к СВЗВ, касающимся наложения изображений, которые изложены в пункте 16.1.1.2 настоящих Правил.
- 17.2.5 Операционная готовность (эксплуатационная доступность системы)
- Водитель должен иметь возможность видеть, что система находится в нерабочем состоянии (например, при отказе системы обнаружения, т. е. в качестве предупреждающего сигнала, отображаемой информации, отсутствия индикатора состояния). Информация для водителя должна быть разъяснена в руководстве по эксплуатации.
- 17.3 Параметры обнаружения объекта
- 17.3.1 Время срабатывания
- В течение максимум 0,6 с после начала движения назад при испытаниях в соответствии с пунктом 2 приложения 10 водителю должен подаваться по крайней мере один из звуковых или тактильных информационных сигналов, соответствующих требованиям, изложенным в пункте 17.2.

18. Изменение типа транспортного средства и распространение официального утверждения

- 18.1 Каждое изменение типа транспортного средства доводит до сведения органа по официальному утверждению типа, который официально утвердил данный тип транспортного средства. В таком случае орган по официальному утверждению типа либо:
- решает, в консультации с изготовителем, что новое официальное утверждение типа должно быть предоставлено; либо
 - применяет процедуру по пункту 18.1.1 (пересмотр) и, если это применимо, процедуру по пункту 18.1.2 (распространение).
- 18.1.1 Пересмотр
- Если сведения, зарегистрированные в информационной папке, изменились и орган по официальному утверждению типа считает, что внесенные изменения не окажут значительного неблагоприятного

воздействия и что в любом случае данное транспортное средство по-прежнему удовлетворяет предъявляемым требованиям, то изменение обозначают как "пересмотр".

В таком случае орган по официальному утверждению типа при необходимости издает пересмотренные страницы информационной папки, четко указывая на каждой пересмотренной странице характер изменения и дату переиздания. Считается, что сводный обновленный вариант информационной папки, сопровождаемый подробным описанием изменения, отвечает данному требованию.

18.1.2 Распространение

Изменение обозначают как "распространение", если помимо изменения сведений, зарегистрированных в информационной папке,

- a) требуются дополнительные осмотры или испытания, либо
- b) изменились какие-либо данные в карточке сообщения (за исключением приложений к ней), либо
- c) запрашивается официальное утверждение на основании более поздней серии поправок после ее вступления в силу.

18.2 Подтверждение официального утверждения с указанием внесенных изменений или отказ в официальном утверждении доводят до сведения Сторон Соглашения, применяющих настоящие Правила, посредством карточки, соответствующей образцу, содержащемуся в приложении 4 к настоящим Правилам. Кроме того, соответствующим образом изменяют индексный указатель к информационному пакету, прилагаемый к карточке сообщения, с указанием даты самого последнего пересмотра или распространения.

18.3 Орган по официальному утверждению типа, распространяющий официальное утверждение, присваивает порядковый номер каждой карточке сообщения, составляемой для такого распространения.

19. Соответствие производства

19.1 Процедура проверки соответствия производства должна соответствовать процедурам, изложенным в приложении 1 к Соглашению (E/ECE/TRANS/505/Rev.3).

19.2 Каждое транспортное средство, официально утвержденное на основании настоящих Правил, должно быть изготовлено таким образом, чтобы оно соответствовало официально утвержденному типу, удовлетворяя требованиям, изложенным в пункте 15 выше, а также, в соответствующих случаях, в пункте 16 и пункте 17 выше.

20. Санкции, налагаемые за несоответствие производства

20.1 Официальное утверждение, предоставленное в отношении какого-либо типа транспортного средства на основании настоящих Правил, может быть отменено, если не соблюдаются требования пункта 19.1 выше или если данное транспортное средство не выдержало проверочных испытаний, предписанных в пункте 19.2 выше.

20.2 Если какая-либо Сторона Соглашения, применяющая настоящие Правила, отменяет предоставленное ею ранее официальное утверждение, то она незамедлительно уведомляет об этом другие Договаривающиеся стороны, применяющие настоящие Правила, посредством копии

карточки официального утверждения, в конце которой крупным шрифтом делают отметку “ОФИЦИАЛЬНОЕ УТВЕРЖДЕНИЕ ОТМЕНЕНО” и проставляют подпись и дату.

21. Окончательное прекращение производства

Если держатель официального утверждения полностью прекращает производство какого-либо типа транспортного средства, официально утвержденного на основании настоящих Правил, он информирует об этом орган по официальному утверждению типа, предоставивший официальное утверждение. По получении соответствующего сообщения данный орган информирует о нем другие Стороны Соглашения, применяющие настоящие Правила, посредством копии карточки официального утверждения, в конце которой крупным шрифтом делают отметку “ПРОИЗВОДСТВО ПРЕКРАЩЕНО” и проставляют подпись и дату.

22. Названия и адреса технических служб, уполномоченных проводить испытания на официальное утверждение, и органов по официальному утверждению типа

Стороны Соглашения, применяющие настоящие Правила, сообщают в Секретариат Организации Объединенных Наций названия и адреса технических служб, уполномоченных проводить испытания на официальное утверждение, и органов по официальному утверждению типа, которые предоставляют официальные утверждения и которым надлежит направлять выдаваемые в других странах регистрационные карточки официального утверждения, отказа в официальном утверждении, распространения или отмены официального утверждения.

Приложение 1

Информационный документ для официального утверждения типа устройства визуализации движения задним ходом

Когда это применимо, должна представляться нижеследующая информация в трех экземплярах, включающая содержание.

Любые чертежи должны представляться в надлежащем масштабе и в достаточно подробном виде на листах формата А4 или в кратном ему формате.

Фотографии, если они имеются, должны достаточно подробно передавать соответствующие детали.

1. Модель (торговая марка изготовителя):
2. Тип и общее(ие) коммерческое(ие) описание(я):
3. Средства идентификации типа, если на устройстве имеется соответствующая маркировка:
4. Категория транспортного средства, для которого предназначено данное устройство:
5. Наименование и адрес изготовителя:
6. Местоположение и способ проставления знака официального утверждения:
- 6.1 Другие средства идентификации с отсылкой к знаку официального утверждения:
7. Адрес(а) сборочного завода (сборочных заводов):
8. Зеркала (указать по каждому зеркалу):
- 8.1 Версия
- 8.2 Чертеж(и) для идентификации зеркала:
- 8.3 Подробное описание метода крепления:
9. Устройства непрямого обзора, не являющиеся зеркалами:
- 9.1 Тип и характеристики (например, полное описание устройства):
- 9.2 Достаточно подробные для идентификации укомплектованного устройства чертежи, включая инструкции по установке; на чертежах должно указываться место нанесения знака официального утверждения типа:

Приложение 2

Информационный документ для официального утверждения типа транспортного средства в отношении установки устройств визуализации движения задним ходом

Когда это применимо, должна представляться нижеследующая информация в трех экземплярах, включающая содержание.

Любые чертежи должны представляться в надлежащем масштабе и в достаточно подробном виде на листах формата А4 или в кратном ему формате.

Фотографии, если они имеются, должны достаточно подробно передавать соответствующие детали.

Общие сведения

1. Модель (торговая марка изготовителя):
2. Тип и общее(ие) коммерческое(ие) описание(я):
3. Средства идентификации типа при наличии маркировки на транспортном средстве:
4. Местоположение этой маркировки:
5. Категория транспортного средства:
6. Наименование и адрес изготовителя:
7. Адрес(а) сборочного завода (сборочных заводов):

Общие характеристики конструкции транспортного средства

8. Фотография(и) и/или чертеж(и) репрезентативного транспортного средства:
9. Место водителя: слева/справа¹
- 9.1 Транспортное средство оборудовано для эксплуатации в условиях правостороннего/левостороннего движения¹
10. Диапазон габаритов транспортного средства (общий):
- 10.1 Для шасси без кузова
- 10.1.1 Ширина²:

¹ Ненужное вычеркнуть.

² "Общая ширина" транспортного средства означает габарит, измеряемый в соответствии с термином № 6.2 стандарта ISO 612-1978. В случае транспортных средств, не относящихся к категории M₁, в дополнение к положениям, содержащимся в этом стандарте, при измерении ширины транспортного средства не учитываются следующие приспособления:

- a) устройства наложения таможенных печатей и пломб и запорно-предохранительные устройства;
- b) приспособления для крепления брезента и предохранительные устройства;
- c) сигнализаторы падения давления в шинах;
- d) выступающие гибкие элементы брызговиков;
- e) осветительное оборудование;
- f) в случае автобусов наклонные ступеньки в рабочем положении, подъемные платформы и аналогичное оборудование в рабочем положении при условии, что они не выступают более чем на 10 мм от боковой стороны транспортного средства и передние или задние углы наклонной ступеньки с радиусом закругления не менее 5 мм; радиус закругления краев должен составлять не менее 2,5 мм;

- 10.1.1.1 Максимальная допустимая ширина:
- 10.1.1.2 Минимальная допустимая ширина:
- 10.2 Для шасси с кузовом:
- 10.2.1 Ширина²
11. Кузов
- 11.1 Устройства непрямого обзора
- 11.1.1 Зеркала:
- 11.1.1.1 Чертеж(и), указывающий(ие) местоположение зеркала по отношению к конструкции транспортного средства:
- 11.1.1.2 Подробное описание метода крепления, включая ту часть конструкции транспортного средства, к которой крепится это устройство:
- 11.1.1.3 Факультативное оборудование, которое может повлиять на поле обзора сзади:
- 11.1.1.4 Краткое описание электронных компонентов (если они имеются) устройства регулировки:
- 11.1.2 Устройства непрямого обзора, не являющиеся зеркалами:
- 11.1.2.1 Достаточно подробные чертежи с инструкциями по установке:
- 11.1.2.2 В случае системы видеокамеры заднего вида:
- 11.1.2.2.1 Чертеж(и)/фотография(и), показывающие положение видеокамеры (видеокамер) по отношению к конструкции транспортного средства:
- 11.1.2.2.2 Чертеж(и)/фотография(и), показывающие схему расположения монитора(ов), включая окружающие внутренние детали:
- 11.1.2.2.3 Чертеж(и)/фотография(и), показывающие поле обзора водителей на мониторе(ах):
- 11.1.2.2.4 Чертеж(и)/фотография(и), показывающие схему установки требуемого поля обзора и его изображение на мониторе:
- 11.1.2.2.5 Подробное описание метода крепления системы видеокамеры, включая ту часть конструкции транспортного средства, к которой она крепится:
- 11.1.2.2.6 Факультативное оборудование, которое может повлиять на поле обзора сзади:
- 11.1.2.2.7 Краткое описание электронных компонентов (если они имеются) устройства регулировки:
- 11.1.2.2.8 Техническая спецификация и руководство по эксплуатации системы видеокамеры заднего вида:

g) устройства непрямого обзора;
 h) индикаторы давления в шинах;
 i) убирающиеся подножки;
 j) деформирующаяся часть боковины шины непосредственно над точкой соприкосновения с дорогой.

Приложение 3

Сообщение

(Максимальный формат: A4 (210 x 297 мм))



направленно: название административного органа:

касающееся²: предоставления официального утверждения
 распространения официального утверждения
 отказа в официальном утверждении
 отмены официального утверждения
 окончательного прекращения производства

типа устройства визуализации движения задним ходом на основании Правил № [XXX] ООН
 Официальное утверждение № Распространение №

1. Торговое наименование или товарный знак устройства:
2. Наименование, присвоенное данному типу устройства изготовителем:
3. Название и адрес изготовителя:
4. В соответствующих случаях фамилия и адрес представителя изготовителя:
5. Представлено на официальное утверждение (дата):
6. Техническая служба, уполномоченная проводить испытания на официальное утверждение:
7. Дата протокола, выданного этой службой:
8. Номер протокола, выданного этой службой:
9. Краткое описание:
 Идентификация устройства: зеркало, система видеокamеры заднего вида,
 другое устройство²
 Устройство заднего вида ближнего обзора²
10. Местоположение знака официального утверждения:
11. Основание(я) для распространения (если это применимо):
12. Официальное утверждение предоставлено/в официальном утверждении
 отказано/официальное утверждение распространено/официальное утверждение
 отменено²:
13. Место:
14. Дата:
15. Подпись:
16. К настоящему сообщению прилагается перечень документов, которые сданы на
 хранение органу по официальному утверждению типа, предоставившему
 официальное утверждение, и могут быть получены по запросу.

¹ Отличительный номер страны, которая предоставила/распространила/отменила официальное утверждение или отказала в официальном утверждении (см. положения Правил, касающиеся официального утверждения).

² Понуждано вычеркнуть.

Приложение 4

Сообщение

(Максимальный формат: А4 (210 x 297 мм))



направленное: название административного органа:

.....

касающиеся²: предоставления официального утверждения
 распространения официального утверждения
 отказа в официальном утверждении
 отмены официального утверждения
 окончательного прекращения производства

типа транспортного средства в отношении установки устройств визуализации движения задним ходом на основании Правил № [XXX] ООН

Официальное утверждение №: Распространение №:

1. Марка (торговое наименование изготовителя):
2. Тип и общее(ие) коммерческое(ие) описание(я):
3. Средства идентификации типа при наличии маркировки на транспортном средстве:
- 3.1 Местоположение этой маркировки:
4. Категория транспортного средства: (M₁, M₂, M₃, N₁, N₂, N₃)²
5. Название и адрес изготовителя:
6. Адрес(а) производственного(ых) предприятия(ий):
7. Дополнительная информация: (при наличии). См. добавление
8. Техническая служба, ответственная за проведение испытаний:
9. Дата протокола испытаний:
10. Номер протокола испытаний:
11. Замечания: (при наличии). См. добавление
12. Место:
13. Дата:
14. Подпись:
15. К настоящему сообщению прилагается индексный указатель информационного пакета, который был передан органу по официальному утверждению типа, предоставившему официальное утверждение, и может быть получен по запросу.

¹ Отличительный номер страны, которая предоставила/распространила/отменила официальное утверждение или отказала в официальном утверждении (см. положения Правил, касающиеся официального утверждения).

² Пенизулате вычеркнуть.

Приложение 4 — Добавление

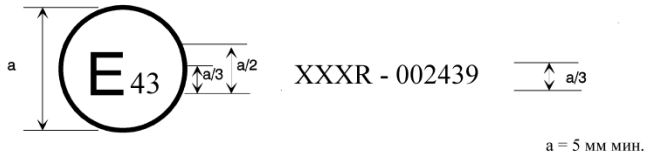
Добавление к карточке сообщения об официальном утверждении типа № ... касающееся официального утверждения транспортного средства в отношении установки устройств визуализации движения задним ходом на основании Правил № [XXX] ООН.

1. Торговое наименование или товарный знак зеркал и дополнительных устройств непрямого обзора и номер официального утверждения типа соответствующего компонента:
2. Зеркала заднего вида ближнего обзора и устройства визуализации движения задним ходом¹
3. Распространение официального утверждения типа транспортного средства, охватывающее следующее устройство непрямого обзора:
4. Данные для идентификации точки R места водителя:
5. Максимальная и минимальная ширина кузова, на основании которой официально утвержден тип зеркала и устройств непрямого обзора:
6. К настоящему свидетельству прилагают следующие документы, в которых указан приведенный выше номер официального утверждения типа:
 - a) чертежи с указанием мест установки устройств непрямого обзора:
 - b) чертежи и планы с указанием мест установки и характеристик части конструкции, на которой установлены устройства непрямого обзора:
7. Замечания: (например: касается правостороннего движения/левостороннего движения¹)

Приложение 5

Схема знака официального утверждения устройства непрямого обзора

(См. пункт 5.4 настоящих Правил)



Приведенный выше знак официального утверждения, проставленный на устройстве непрямого обзора, указывает, что данное устройство является основным устройством заднего вида ближнего обзора, которое официально утверждено в Японии (E 43) на основании Правил № [XXX] ООН под номером официального утверждения 002439. Первые две цифры номера официального утверждения указывают, что официальное утверждение было предоставлено в соответствии с требованиями Правил № [XXX] ООН в их первоначальном варианте.

Примечание: Номер официального утверждения и дополнительное обозначение помещаются рядом с кругом и проставляются либо над/под буквой “E”, либо слева/справа от этой буквы. Цифры номера официального утверждения располагаются с той же стороны по отношению к букве “E” и ориентируются в том же направлении. Дополнительное обозначение располагается с диаметрально противоположной стороны от номера официального утверждения. Следует избегать использования римских цифр для номеров официального утверждения, с тем чтобы не перепутать их с другими обозначениями.

Приложение 6

Метод испытания для определения отражающей способности

1. Определения
 - 1.1 Стандартное осветительное средство МКО A¹: колориметрическое осветительное средство, соответствующее полному излучателю при $T_{68} = 2\,855,6\text{ K}$.
 - 1.1.2 Стандартный источник МКО A¹: лампа с вольфрамовой нитью в газовой атмосфере, работающая при цветовой температуре, близкой к $T_{68} = 2\,855,6\text{ K}$.
 - 1.1.3 Стандартный колориметрический наблюдатель МКО (1931 год)¹: наблюдатель, для которого функции сложения цветов совпадают со значениями спектральных координат цвета $\bar{x}(\lambda)$, $\bar{y}(\lambda)$, $\bar{z}(\lambda)$ (см. таблицу).
 - 1.1.4 Спектральные координаты цвета МКО¹: координаты цвета в системе МКО (XYZ), монохроматические компоненты равноэнергетического спектра.
 - 1.1.5 Дневное зрение¹: зрение обычного глаза, адаптировавшегося к уровням освещения по крайней мере в несколько кд/м².
2. Оборудование
 - 2.1 Общие положения

Оборудование включает источник света, штатив для закрепления образца, приемник с фотоэлементом и индикатор (см. рис. 1), а также средства, необходимые для устранения влияния постороннего света.

Для облегчения изменения коэффициента отражения неплоских (выпуклых) зеркал приемное устройство может включать шар Ульбрихта (см. рис. 2).
 - 2.2 Спектральные характеристики источника света и приемного устройства

Источник света представляет собой стандартный источник МКО A, соединенный с оптической системой, позволяющей получить пучок практически параллельных световых лучей. Для поддержания постоянного напряжения лампы в течение всего времени функционирования оборудования рекомендуется предусмотреть стабилизатор напряжения.

Приемное устройство состоит из фотоэлемента, спектральная характеристика которого пропорциональна функции дневной освещенности для стандартного колориметрического наблюдателя МКО (1931 год) (см. таблицу). Допускается также любое другое сочетание осветительное средство — фильтр — приемное устройство, обеспечивающее общий эквивалент стандартного осветительного средства МКО A и дневного зрения. Если приемное устройство включает шар Ульбрихта, то внутренняя поверхность шара должна быть покрыта слоем матовой белой (рассеивающей) и неизбирательной краски.

¹ Определения позаимствованы из публикации МКО 50 (45) "Международный электротехнический словарь", группа 45 "Освещение".

2.3 Геометрические условия

Пучок падающих лучей должен образовывать с перпендикуляром к испытательной поверхности угол (Θ), равный приблизительно $0,44 \pm 0,09$ рад ($25 \pm 5^\circ$); этот угол не должен превышать верхнего предела допуска (т. е. $0,53$ рад или 30°). Ось приемного устройства должна образовывать угол (Θ), равный углу, образуемому пучком падающих лучей с этим перпендикуляром (см. рис. 1). Диаметр падающего пучка лучей на испытательной поверхности должен составлять не менее 13 мм ($0,5$ дюйма). Отраженный пучок не должен быть шире чувствительной поверхности фотоэлемента, не должен покрывать менее 50% этой поверхности и, по возможности, должен покрывать ту же часть поверхности, что и пучок, используемый для градуирования данного прибора.

Если приемное устройство включает шар Ульбрихта, то его минимальный диаметр должен составлять 127 мм (5 дюймов). Размеры отверстий в стенке шара для образца и падающего пучка должны быть достаточными для того, чтобы полностью пропустить падающие и отраженные световые пучки. Фотоэлемент устанавливают таким образом, чтобы не принимать непосредственно свет падающего или отраженного пучка.

2.4 Электрические характеристики комплекса фотоэлемент-индикатор

Мощность фотоэлемента, получаемая на индикаторе, должна представлять собой линейную функцию силы света светочувствительной поверхности. Для упрощения установки на ноль и регулировки градуирования надлежит предусмотреть соответствующие средства (электрические и/или оптические). Эти средства не должны оказывать влияния на линейность или спектральные характеристики прибора. Точность комплекса приемное устройство-индикатор должна находиться в пределах $\pm 2\%$ полной шкалы или $\pm 10\%$ измеряемой величины в зависимости от того, какая из этих величин является меньшей.

2.5 Штатив для образца

Механизм должен позволять устанавливать испытуемый образец таким образом, чтобы ось кронштейна источника и ось кронштейна приемного устройства пересекались на уровне отражающей поверхности. Эта отражающая поверхность может находиться в пределах любой из плоскостей образца зеркала или на одной из этих плоскостей в зависимости от того, идет ли речь о зеркале с первой или со второй отражающей поверхностью либо о призматическом зеркале типа "флип".

3. Процедура

3.1 Метод прямого градуирования

При прямом градуировании исходным используемым эталоном является воздух. Этот метод применяют для приборов, изготовленных таким образом, чтобы можно было производить градуирование всей шкалы, ориентируя приемное устройство непосредственно на ось источника света (см. рис. 1).

Этот метод позволяет в некоторых случаях (например, для измерения поверхности со слабой отражающей способностью) устанавливать точку промежуточного градуирования (между 0 или 100% шкалы). В этом случае в оптическую траекторию помещают фильтр нейтральной плотности с известным коэффициентом пропускания и регулируют систему градуирования до тех пор, пока индикатор не покажет процент передачи, соответствующий фильтру нейтральной плотности. Перед началом проведения замеров отражающей способности этот фильтр необходимо снять.

- 3.2 Метод косвенного градуирования
- Этот метод градуирования применяют к приборам, у которых источник света и принимающее устройство имеют установленную геометрическую форму. Для использования этого метода необходим соответствующим образом градуированный и технически исправный эталон отражения. Эталон должен по возможности представлять собой плоское зеркало, коэффициент отражения которого как можно более близок к коэффициенту отражения испытываемых образцов.
- 3.3 Измерения на плоском зеркале
- Коэффициент отражения образцов плоского зеркала может быть измерен при помощи приборов, действующих по принципу либо прямого, либо косвенного градуирования. Значение коэффициента отражения считывается непосредственно со шкалы индикатора прибора.
- 3.4 Измерения на неплоском (выпуклом) зеркале
- Измерение коэффициента отражения неплоских (выпуклых) зеркал предполагает необходимость использования приборов, в приемном устройстве которых имеется шар Ульбрихта (см. рис. 2). Если прибор считывания с шара с эталонным зеркалом, имеющим коэффициент отражения E %, дает n_e делений, то с неизвестным зеркалом число делений n_x будет соответствовать коэффициенту отражения X %, получаемому по формуле:

$$X = E \frac{n_x}{n_e}$$

Рис. 1
Общая схема оборудования для измерения отражающей способности двумя методами градуирования

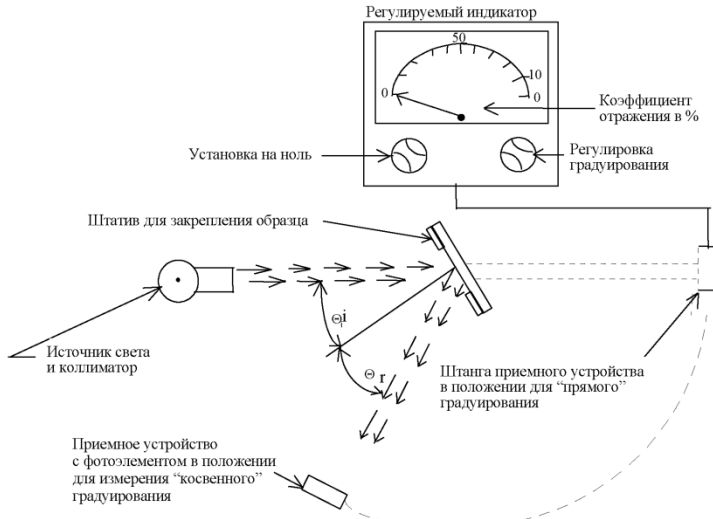
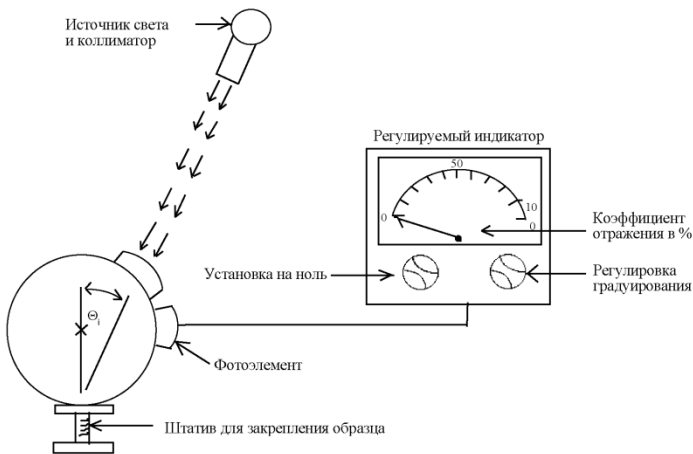


Рис. 2
Общая схема оборудования для измерения отражающей способности с использованием в приемном устройстве шара Ульбрихта



ECE/TRANS/WP.29/2020/121

4. Значения спектральных координат цвета стандартного колориметрического наблюдателя МКО (1931 год)²

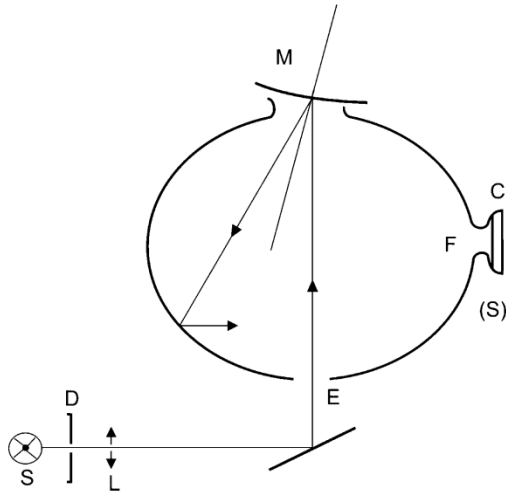
Эта таблица представляет собой выдержку из публикации МКО 50 (45) (1970 год)

| λ nm | $\bar{x}(\lambda)$ | $\bar{y}(\lambda)$ | $\bar{z}(\lambda)$ |
|-----------------|--------------------|--------------------|--------------------|
| 380 | 0,001 4 | 0,000 0 | 0,006 5 |
| 390 | 0,004 2 | 0,000 1 | 0,020 1 |
| 400 | 0,014 3 | 0,000 4 | 0,067 9 |
| 410 | 0,043 5 | 0,001 2 | 0,207 4 |
| 420 | 0,134 4 | 0,004 0 | 0,645 6 |
| 430 | 0,283 9 | 0,011 6 | 1,385 6 |
| 440 | 0,348 3 | 0,023 0 | 1,747 1 |
| 450 | 0,336 2 | 0,038 0 | 1,772 1 |
| 460 | 0,290 8 | 0,060 0 | 1,669 2 |
| 470 | 0,195 4 | 0,091 0 | 1,287 6 |
| 480 | 0,095 6 | 0,139 0 | 0,813 0 |
| 490 | 0,032 0 | 0,208 0 | 0,465 2 |
| 500 | 0,004 9 | 0,323 0 | 0,272 0 |
| 510 | 0,009 3 | 0,503 0 | 0,158 2 |
| 520 | 0,063 3 | 0,710 0 | 0,078 2 |
| 530 | 0,165 5 | 0,862 0 | 0,042 2 |
| 540 | 0,290 4 | 0,954 0 | 0,020 3 |
| 550 | 0,433 4 | 0,995 0 | 0,008 7 |
| 560 | 0,594 5 | 0,995 0 | 0,003 9 |
| 570 | 0,762 1 | 0,952 0 | 0,002 1 |
| 580 | 0,916 3 | 0,870 0 | 0,001 7 |
| 590 | 1,026 3 | 0,757 0 | 0,001 1 |
| 600 | 1,062 2 | 0,631 0 | 0,000 8 |
| 610 | 1,002 6 | 0,503 0 | 0,000 3 |
| 620 | 0,854,4 | 0,381 0 | 0,000 2 |
| 630 | 0,642 4 | 0,265 0 | 0,000 0 |
| 640 | 0,447 9 | 0,175 0 | 0,000 0 |
| 650 | 0,283 5 | 0,107 0 | 0,000 0 |
| 660 | 0,164 9 | 0,061 0 | 0,000 0 |
| 670 | 0,087 4 | 0,032 0 | 0,000 0 |
| 680 | 0,046 8 | 0,017 0 | 0,000 0 |
| 690 | 0,22 7 | 0,008 2 | 0,000 0 |
| 700 | 0,011 4 | 0,004 1 | 0,000 0 |
| 710 | 0,005 8 | 0,002 1 | 0,000 0 |
| 720 | 0,02 9 | 0,001 0 | 0,000 0 |
| 730 | 0,001 4 | 0,000 5 | 0,000 0 |
| 740 | 0,000 7 | 0,000 2 (*) | 0,000 0 |
| 750 | 0,000 3 | 0,000 1 | 0,000 0 |
| 760 | 0,000 2 | 0,000 1 | 0,000 0 |
| 770 | 0,000 1 | 0,000 0 | 0,000 0 |
| 780 | 0,000 0 | 0,000 0 | 0,000 0 |

(*) Изменено в 1966 году (с 3 на 2).

² Сокращенная таблица. Значения величин $\bar{y}(\lambda) = V(\lambda)$ округлены до четырех знаков после запятой.

Пояснительный чертеж
 Пример устройства для измерения коэффициента отражения сферических
 зеркал



- C – приемное устройство
- D – диафрагма
- E – окно входа
- F – окно измерения
- L – линза
- M – окно для предмета
- S – источник света
- (S) – светомерный шар

Приложение 7

Процедура определения радиуса кривизны “r” отражающей поверхности зеркала

1. Измерения
 - 1.1 Оборудование

Используют прибор, называемый “сферометром”, аналогичный прибору, показанному на рис. 1 настоящего приложения, и имеющий указанные расстояния между копирующим пальцем круговой шкалы и закрепленными стойками барьера.
 - 1.2 Точки измерения
 - 1.2.1 Измерение основных радиусов кривизны производят в трех точках, расположенных как можно ближе к одной трети, одной второй и двум третям дуги отражающей поверхности, проходящей через центр зеркала и параллельной сегменту b, либо перпендикулярной ей дуги, проходящей через центр зеркала, если эта дуга длиннее.
 - 1.2.2 Если же размеры отражающей поверхности зеркала не позволяют сделать замеры в направлениях, указанных в пункте 2.1.2.2.2 настоящих Правил, то технические службы, уполномоченные проводить испытания, могут провести замеры в этой точке в двух перпендикулярных направлениях, расположенных как можно ближе к направлениям, предписанным выше.
 2. Расчет радиуса кривизны “r”

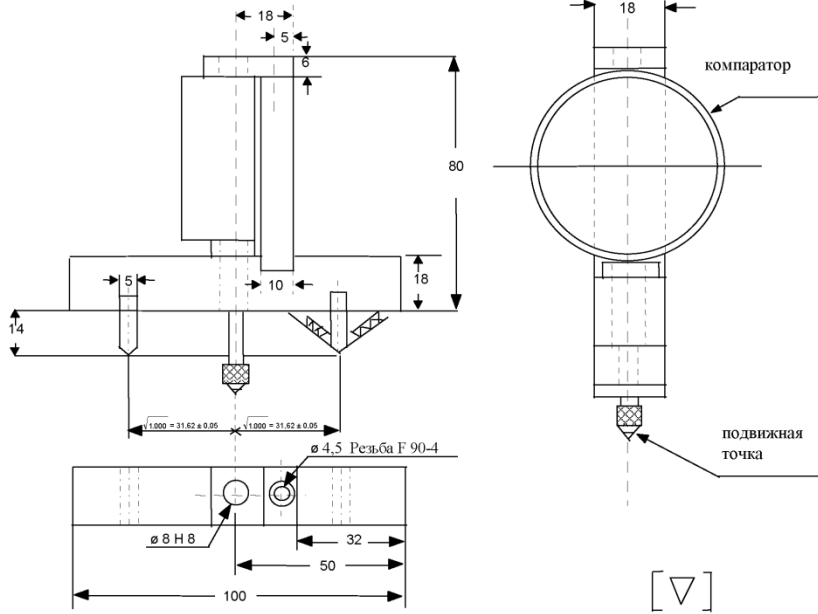
“r”, выраженное в мм, рассчитывают по формуле:

$$r = \frac{r_p 1 + r_p 2 + r_p 3}{3},$$

где:

- r_{p1} – радиус кривизны в первой точке измерения,
- r_{p2} – радиус кривизны во второй точке измерения,
- r_{p3} – радиус кривизны в третьей точке измерения.

Рис. 1
Сферометр



(все размеры в миллиметрах)

Приложение 8

Процедура определения точки “Н” и фактического угла наклона туловища сидящего в автомобиле водителя или пассажира¹

Добавление 1 — Описание объемного механизма определения точки “Н” (механизма 3-D Н)¹

Добавление 2 — Трехмерная система координат¹

Добавление 3 — Контрольные параметры, касающиеся мест для сидения¹

¹ Эта процедура описана в приложении 1 к Сводной резолюции о конструкции транспортных средств (CP.3) (документ ECE/TRANS/WP.29/78/Rev.6). URL: www.unece.org/trans/main/wp29/wp29wgs/wp29gen/wp29resolutions.html.

Приложение 9

Методы испытания устройств заднего вида ближнего обзора

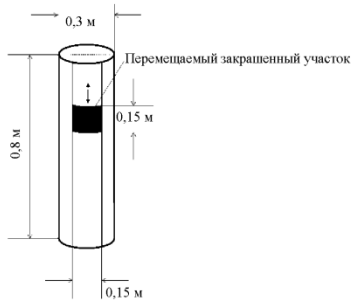
1. Поле обзора

Испытания на соответствие требованиям, предъявляемым к полю обзора по пункту 15.2 настоящих Правил, могут проводиться в условиях, оговоренных в настоящем приложении.
- 1.1 Испытуемые объекты

Каждый испытуемый объект представляет собой прямой круговой цилиндр высотой 0,8 м и наружным диаметром 0,3 м. Каждый испытуемый объект размечают следующим образом:

 - a) на испытуемом объекте имеется покрашенный участок размером 0,15 м x 0,15 м, допускающий возможность его перемещения по боковине цилиндра снизу вверх;
 - b) цвет покрашенного участка должен контрастировать как с остальной частью цилиндра, так и с испытательной поверхностью.

Рис. А
Испытуемый объект



- 1.2 Места расположения и ориентация испытуемого объекта

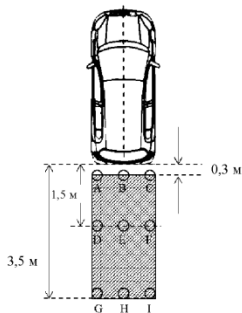
Поместить испытуемые объекты в места, указанные в подпунктах a)–h) и отмеченные на рис. В. Измерить показанные на рис. В расстояния от одного испытуемого объекта до другого, считая от цилиндрического центра (оси) испытуемого объекта, если смотреть на него сверху. Каждый испытуемый объект должен быть ориентирован таким образом, чтобы его ось составляла вертикаль.

 - a) Разместить испытуемые объекты А, В и С таким образом, чтобы их центры находились в поперечной вертикальной плоскости на расстоянии 0,3 м позади поперечной вертикальной плоскости, касательной к наиболее выступающей точке на поверхности транспортного средства.

- b) Разместить испытуемый объект В таким образом, чтобы его центр находился в продольной вертикальной плоскости, проходящей через продольную осевую линию транспортного средства.
- c) Разместить испытуемые объекты D, E и F таким образом, чтобы их центры находились в поперечной вертикальной плоскости на расстоянии 1,5 м позади поперечной вертикальной плоскости, касательной к наиболее выступающей точке на поверхности транспортного средства.
- d) Разместить испытуемый объект E таким образом, чтобы его центр находился в продольной вертикальной плоскости, проходящей через продольную осевую линию транспортного средства.
- e) Разместить испытуемые объекты G, H и I таким образом, чтобы их центры находились в поперечной вертикальной плоскости на расстоянии 3,35 м позади поперечной вертикальной плоскости, касательной к наиболее выступающей точке на поверхности транспортного средства.
- f) Разместить испытуемый объект H таким образом, чтобы его центр находился в продольной вертикальной плоскости, проходящей через продольную осевую линию транспортного средства.
- g) Разместить испытуемые объекты A, D и G таким образом, чтобы их наиболее выступающие точки находились в продольной вертикальной плоскости, касательной к наиболее выступающей точке на поверхности транспортного средства с левой стороны.
- h) Разместить испытуемые объекты C, F и I таким образом, чтобы их наиболее выступающие точки находились в продольной вертикальной плоскости, касательной к наиболее выступающей точке на поверхности транспортного средства с правой стороны.

Механические сцепные устройства и багажные полки, расположенные на задней части транспортного средства, не должны приниматься во внимание.

Рис. В
Места расположения испытуемых объектов



1.3 Условия проведения испытания

1.3.1 Освещение

Условия освещения окружающей среды, в которых проводятся испытания, характеризуются светом, который равномерно распределен

- сверху и сила которого составляет 7000–10 000 люкс и измеряется по центру внешней поверхности крыши транспортного средства.
- 1.3.2 Температура
- Температура внутри автомобиля во время испытания — любая температура от 15 °C до 25 °C
- 1.3.3 Состояние транспортного средства
- 1.3.3.1 Шины
- Шины транспортного средства накачивают до рекомендованного изготовителем давления холодной шины.
- 1.3.3.2 Загрузка транспортного средства
- Транспортное средство находится в снаряженном состоянии в соответствии с определениями, содержащимися в Сводной резолюции о конструкции транспортных средств (CP.3) (ECE/TRANS/WP.29/78/Rev.6, пункт 2.2.5.4).
- 1.3.3.3 Регулируемая подвеска
- Если транспортное средство оснащено системой регулируемой подвески, то она должна быть установлена из расчета на наилучшее состояние.
- 1.3.3.4 Крышки заднего люка и багажника
- Если транспортное средство оснащено крышками задних люков или багажника, то эти крышки закрываются и запираются в нормальном рабочем состоянии транспортного средства.
- 1.4 Процедура испытания
- Испытание на проверку видимости каждой стойки проводят поочередно. В факультативном порядке один ряд может быть испытан одновременно. После успешной идентификации стойки ее можно удалить. Стойки первого ряда (А, В, С) могут поворачиваться, чтобы закрашенный участок был виден как можно лучше.
2. Готовность системы
- 2.1 Условия проведения испытания
- Транспортное средство должно оставаться на стоянке до тех пор, пока не будет обеспечено отключение всех электронных систем, либо в течение 30 минут.
 - Допускается наличие лица, проводящего испытание, либо соответствующего оборудования внутри транспортного средства.
 - Следует убедиться в том, что переключатель передач транспортного средства находится в положении “нейтральная передача” либо “движение вперед”.
 - Испытание может начинаться с открытия двери водителя. После открытия двери она вновь закрывается.
- 2.2 Процедура испытания
- Транспортное средство переводится в активный режим. Данное действие инициирует/запускает первый таймер.
 - За этим следует ожидание в течение минимум 6 секунд.
 - После установки переключателя направления в режим реверса начинается движение назад. Если через 6 с после перевода транспортного средства в активный режим привести его в режим движения назад невозможно, то движение назад должно

начинаться, как только это будет технически возможно.

- d) Иницируется/запускается второй таймер в соответствии с техническими условиями изготовителя и не позднее, чем при включении режима реверса или задней передачи.
- e) Время срабатывания регистрируется на втором таймере до тех пор, пока на дисплее не будет полностью обеспечен обзор сзади.

3. Размер объекта

3.1 Испытательная контрольная точка

Испытательная контрольная точка определяется с использованием следующей процедуры.

- a) Центр обращенной вперед средней точки (Mf) глаза, как показано на рисунке С, размещается таким образом, чтобы он находился по вертикали на 635 мм над точкой "Н" (Н) и на 96 мм позади точки "Н".
- b) Центр шарнирного соединения головы и шеи (J), показанный на рисунке С, размещается таким образом, чтобы он находился на 100 мм позади точки Mf и на 588 мм по вертикали над точкой "Н". Если центр соединения головы и шеи (J) не совместим с конфигурацией сиденья транспортного средства, отрегулировать сиденье водителя до середины диапазона продольной регулировки. Если сиденье не может быть отрегулировано до середины диапазона продольной регулировки, то используется ближайшее положение регулировки позади средней точки.
- c) Начертить воображаемую горизонтальную линию между Mf и точкой вертикально выше J, определяемой как J2.
- d) Вращать воображаемую линию вокруг J2 в направлении изображения заднего вида до тех пор, пока расстояние по прямой линии между Mf и центром дисплея, используемого для отображения заднего вида, требуемого в настоящем стандарте, не достигнет минимально возможного значения.
- e) Определить это новое, повернутое положение Mf как Mf (повернутая средняя точка глаза).

3.1 Процедура измерения

- a) Фотоаппарат с 35-миллиметровым или большим объективом, видеокамера или эквивалентное цифровое устройство помещается таким образом, чтобы центр плоскости изображения находился в точке Mf, а объектив был направлен на центр изображения заднего вида на дисплее.
- b) К основанию изображения заднего вида в направлении по перпендикуляру к осевой линии цилиндра испытуемого объекта прикрепляется линейка. Если подголовники транспортного средства закрывают дисплей, то их можно соответствующим образом отрегулировать или снять.
- c) Производится съемка изображения визуального дисплея с линейкой в рамке и проецируемым изображением заднего вида.

3.2 Извлечение фотографических данных

- a) С использованием фотографии производится измерение видимой длины 50-миллиметрового отрезка очерченного участка линейки (по ее краю), изображенного на фотографии, максимально близко к изображению заднего вида и в точке, находящейся вблизи горизонтального центра изображения заднего вида.

- b) С использованием фотографии производится измерение горизонтальной ширины цветной полосы в верхней части каждого из трех испытуемых объектов, находящихся в положениях G, H и I на рис. В.
- c) Измеренные значения горизонтальной ширины цветных полос всех трех испытуемых объектов определяются в качестве d_G , d_H и d_I .
- 3.3 Получение коэффициента масштабирования
- С использованием видимой длины 50-миллиметрового отрезка линейки, обозначенной на фотографии, эту видимую длину делят на 50 мм для получения коэффициента масштабирования. Полученный коэффициент масштабирования определяется в качестве масштаба.
- 3.4 Определение расстояния обзора
- Фактическое расстояние обзора определяется от местонахождения расположенной под углом средней точки глаза (Mr) до центра изображения заднего вида. Это расстояние обзора определяется в качестве a_{eye} .
- 3.5 Производится расчет визуального угла, вычитаемого из ширины испытуемых объектов.

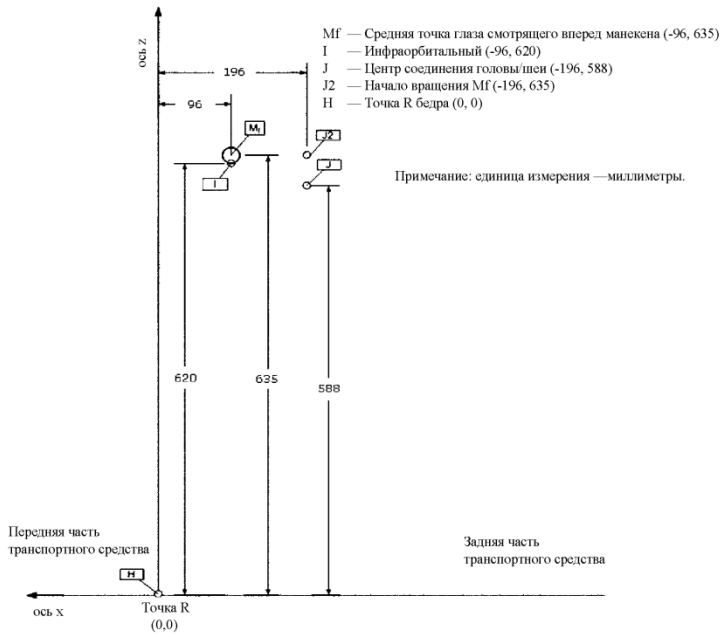
Для расчета вычитаемых визуальных углов используется следующее уравнение:

$$\theta_i = 60 \sin^{-1} \left(\frac{d_i}{a_{eye} \text{scale}} \right).$$

где i может иметь значение любого из испытуемых объектов G, H или I, а арксинус рассчитывается в градусах.

ECE/TRANS/WP.29/2020/121

Рис. С
 Местоположение средней точки глаза (Mf) в средней сагиттальной плоскости по отношению к точке R для смотрящего вперед водителя-мужчины 50-го перцентиля, сидящего на сиденье с углом наклона спинки 25°



Приложение 10

Методы проведения испытаний систем обнаружения

1. Обнаружение для зоны горизонтальной задней проекции

Системы звукового предупреждения должны отвечать требованиям испытания по пункту 1.3.1 настоящего приложения. Однако если системы звукового предупреждения отвечают требованиям испытания по пункту 1.4 настоящего приложения, то испытание, указанное в пункте 1.3.1 настоящего приложения, считается успешно пройденным.
- 1.1 Условия проведения испытания

Испытуемый объект должен отвечать требованиям пункта 7.1 стандарта ISO 17386:2010. Скорость ветра в ходе испытания не должна превышать 1 м/с при температуре 20 ± 5 °C и влажности 60 ± 25 %, причем в отсутствие дождя или снега. Испытание проводят на гладкой сухой асфальтовой или бетонной поверхности. На результаты испытания не должно оказывать влияние отражение звуковых или электромагнитных волн от любых стен, вспомогательного испытательного оборудования или любых других окружающих объектов.
- 1.2 Подготовка испытания

Используют один испытуемый объект. Расстояние от задней оконечности до испытуемого объекта и место расположения последнего выбираются изготовителем с таким расчетом, чтобы обеспечить обнаружение данного объекта. Испытуемый объект помещают на ячейки координатной сетки в зоне горизонтальной задней проекции согласно пункту 1.3.1 настоящего приложения. Испытуемое транспортное средство изначально должно находиться в статичном состоянии с активированной системой обнаружения, как указано [изготовителем ИЛИ в руководстве по эксплуатации]. При этом под статичным состоянием понимается: в случае транспортных средств с автоматической коробкой передач — перевод переключателя режимов в положение P (“стоянка”), а в случае транспортных средств, оборудованных механической коробкой передач, — выбор нейтральной передачи при задействованном стояночном тормозе.
- 1.3 Метод испытания
- 1.3.1 Поле обнаружения

Максимальное расстояние обнаружения, предусмотренное пунктами 5.4.2 и 5.4.3 стандарта ISO 17386:2010, составляет 1,0 м (класс R2). Ширина прямоугольника w_r равна ширине транспортного средства, измеренной вдоль задней оси. Размеры округляют до ближайших 0,1 м. На приведенных ниже рисунках показаны примеры различных значений w_r (рис. 1 и 2).

Рис. 1
В случае нечетных стоек в поперечном направлении транспортного средства
(например, $w_r = 1,67$ м)

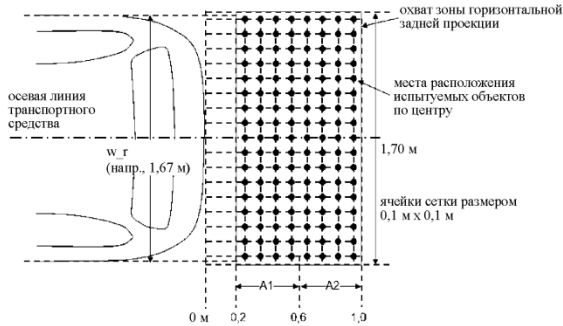
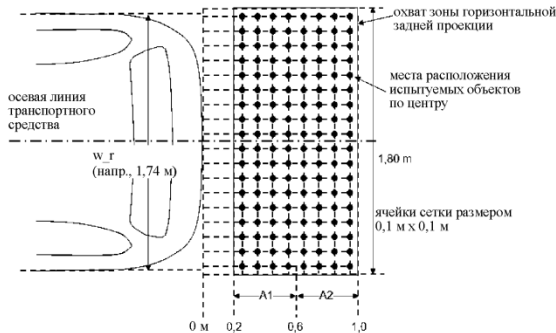


Рис. 2
В случае четных стоек в поперечном направлении транспортного средства
(например, $w_r = 1,74$ м)



1.3.2 Минимальный коэффициент обнаружения

Минимальный коэффициент обнаружения, требуемый применительно к зоне горизонтальной задней проекции, составляет:

- 90 % для A1, как она определена в пункте 5.4.3 стандарта ISO 17386:2010;
- 87 % для диапазона "rear-2" в A2, как она определена в пункте 5.4.3 стандарта ISO 17386:2010.

Не должно быть "мертвых зон", превышающих квадрат, соответствующий четырем ячейкам сетки.

В данном случае процедуры испытания применительно к зоне горизонтальной задней проекции соответствуют процедурам по пункту 7.3 стандарта ISO 17386:2010.

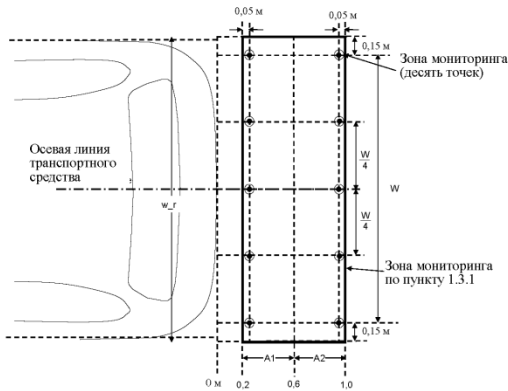
Если подача предупреждающего сигнала происходит непрерывно в течение более 5 секунд, то считается, что испытуемый объект обнаружен. По каждому испытуемому объекту испытание на обнаружение проводят один раз. Однако при необходимости — по согласованию с технической службой и изготовителем — можно считать, что испытуемый объект обнаружен, если подача предупреждающего сигнала происходит в ходе четырех из пяти испытаний.

1.4 Альтернативный (упрощенный) метод испытания

1.4.1 Поле обнаружения

Зонами мониторинга выступают 10 показанных на рис. 3 ниже точек в пределах зоны мониторинга по пункту 1.3.1.

Рис. 3



1.4.2 Минимальный коэффициент обнаружения

Минимальный коэффициент обнаружения, требуемый применительно к зоне, ограниченной десятью точками, составляет 100 %.

Если подача предупреждающего сигнала происходит непрерывно в течение более 5 секунд, то считается, что испытуемый объект обнаружен. По каждому испытуемому объекту испытание на обнаружение проводят один раз. Однако по согласованию с технической службой и изготовителем при необходимости можно считать, что испытуемый объект обнаружен, если подача предупреждающего сигнала происходит в ходе четырех из пяти испытаний.

1.4.3 Возможности самотестирования и индикация отказа

Как указано в пункте 5.5 стандарта ISO 17386:2010, в систему должны быть заложены функции самотестирования. При обнаружении неисправности она должна информировать о сбое системы в соответствии с пунктом 17.2.5 настоящих Правил.

2. Время срабатывания

2.1 Условия проведения испытания

- Транспортное средство должно оставаться на стоянке до тех пор, пока не будет обеспечено отключение всех электронных систем либо в течение 30 минут.
- Допускается наличие лица, проводящего испытание, либо соответствующего оборудования внутри транспортного средства.

- c) Следует убедиться в том, что переключатель передач транспортного средства находится в положении “нейтральная передача” либо “движение вперед”.
- d) Испытание может начинаться с открытия двери водителя. После открытия двери она вновь закрывается.

2.2

Процедура испытания

- a) Испытуемый объект помещается в требуемое поле обнаружения.
- b) Транспортное средство переводится в активный режим. Данное действие инициирует/запускает первый таймер.
- c) За этим следует ожидание в течение минимум 6 секунд.
- d) После установки переключателя направления в режим реверса начинается движение назад. Если через 6 с после перевода транспортного средства в активный режим привести его в режим движения назад невозможно, то движение назад должно начинаться, как только это будет технически возможно. Иницируется/запускается второй таймер в соответствии с техническими условиями изготовителя и не позднее, чем при включении режима реверса или задней передачи.
- e) Время срабатывания регистрируется на втором таймере до тех пор, пока не появится информационный сигнал.»

*DRAFT REGULATION NO. [158]***PROJET DE RÈGLEMENT N° [158]*

*Notification effected on the Secretary-
General of the United Nations:
9 December 2020*

*Notification effectuée le Secrétaire
général de l'Organisation des Nations
Unies : 9 décembre 2020*

**No UNTS volume number has yet been determined for
this record.*

**Le numéro de volume RTNU n'a pas encore été établie
pour ce dossier.*

*ENTRY INTO FORCE OF UNITED NATIONS
REGULATION NO. 158**

*ENTRÉE EN VIGUEUR DU RÈGLEMENT DE
L'ONU N° 158*

*Notification effected on the Secretary-
General of the United Nations: 10 June
2021*

*Notification effectuée le Secrétaire
général de l'Organisation des Nations
Unies : 10 juin 2021*

**No UNTS volume number has yet been determined for
this record.*

**Le numéro de volume RTNU n'a pas encore été établie
pour ce dossier.*

*AMENDMENTS TO UNITED NATIONS
REGULATION NO. 158**

*AMENDEMENTS AU RÈGLEMENT DE L'ONU N°
158*

*Notification effected on the Secretary-
General of the United Nations: 22 June
2022*

*Notification effectuée le Secrétaire
général de l'Organisation des Nations
Unies : 22 juin 2022*

**No UNTS volume number has yet been determined for
this record.*

**Le numéro de volume RTNU n'a pas encore été établie
pour ce dossier.*

*AMENDMENTS TO UNITED NATIONS
REGULATION NO. 158**

*AMENDEMENTS AU RÈGLEMENT DE L'ONU N°
158*

*Notification effected on the Secretary-
General of the United Nations:
5 December 2022*

*Notification effectuée le Secrétaire
général de l'Organisation des Nations
Unies : 5 décembre 2022*

**No UNTS volume number has yet been determined for
this record.*

**Le numéro de volume RTNU n'a pas encore été établie
pour ce dossier.*

APPLICATION OF REGULATION*

Albania

Notification effected on the Secretary-General of the United Nations: 10 June 2021

Date of effect: 10 June 2021

Registration with the Secretariat of the United Nations: ex officio, 10 June 2021

*No UNTS volume number has yet been determined for this record.

APPLICATION OF REGULATION*

Armenia

Notification effected on the Secretary-General of the United Nations: 10 June 2021

Date of effect: 10 June 2021

Registration with the Secretariat of the United Nations: ex officio, 10 June 2021

*No UNTS volume number has yet been determined for this record.

APPLICATION OF REGULATION*

Australia

Notification effected on the Secretary-General of the United Nations: 10 June 2021

Date of effect: 10 June 2021

Registration with the Secretariat of the United Nations: ex officio, 10 June 2021

*No UNTS volume number has yet been determined for this record.

APPLICATION DU RÈGLEMENT

Albanie

Notification effectuée le Secrétaire général de l'Organisation des Nations Unies : 10 juin 2021

Date de prise d'effet : 10 juin 2021

Enregistrement auprès du Secrétariat de l'Organisation des Nations Unies : d'office, 10 juin 2021

*Le numéro de volume RTNU n'a pas encore été établie pour ce dossier.

APPLICATION DU RÈGLEMENT

Arménie

Notification effectuée le Secrétaire général de l'Organisation des Nations Unies : 10 juin 2021

Date de prise d'effet : 10 juin 2021

Enregistrement auprès du Secrétariat de l'Organisation des Nations Unies : d'office, 10 juin 2021

*Le numéro de volume RTNU n'a pas encore été établie pour ce dossier.

APPLICATION DU RÈGLEMENT

Australie

Notification effectuée le Secrétaire général de l'Organisation des Nations Unies : 10 juin 2021

Date de prise d'effet : 10 juin 2021

Enregistrement auprès du Secrétariat de l'Organisation des Nations Unies : d'office, 10 juin 2021

*Le numéro de volume RTNU n'a pas encore été établie pour ce dossier.

APPLICATION OF REGULATION*

Austria

Notification effected on the Secretary-General of the United Nations: 10 June 2021

Date of effect: 10 June 2021

Registration with the Secretariat of the United Nations: ex officio, 10 June 2021

*No UNTS volume number has yet been determined for this record.

APPLICATION OF REGULATION*

Azerbaijan

Notification effected on the Secretary-General of the United Nations: 10 June 2021

Date of effect: 10 June 2021

Registration with the Secretariat of the United Nations: ex officio, 10 June 2021

*No UNTS volume number has yet been determined for this record.

APPLICATION OF REGULATION*

Belarus

Notification effected on the Secretary-General of the United Nations: 10 June 2021

Date of effect: 10 June 2021

Registration with the Secretariat of the United Nations: ex officio, 10 June 2021

*No UNTS volume number has yet been determined for this record.

APPLICATION DU RÈGLEMENT

Autriche

Notification effectuée le Secrétaire général de l'Organisation des Nations Unies : 10 juin 2021

Date de prise d'effet : 10 juin 2021

Enregistrement auprès du Secrétariat de l'Organisation des Nations Unies : d'office, 10 juin 2021

*Le numéro de volume RTNU n'a pas encore été établie pour ce dossier.

APPLICATION DU RÈGLEMENT

Azerbaïdjan

Notification effectuée le Secrétaire général de l'Organisation des Nations Unies : 10 juin 2021

Date de prise d'effet : 10 juin 2021

Enregistrement auprès du Secrétariat de l'Organisation des Nations Unies : d'office, 10 juin 2021

*Le numéro de volume RTNU n'a pas encore été établie pour ce dossier.

APPLICATION DU RÈGLEMENT

Bélarus

Notification effectuée le Secrétaire général de l'Organisation des Nations Unies : 10 juin 2021

Date de prise d'effet : 10 juin 2021

Enregistrement auprès du Secrétariat de l'Organisation des Nations Unies : d'office, 10 juin 2021

*Le numéro de volume RTNU n'a pas encore été établie pour ce dossier.

APPLICATION OF REGULATION*

Belgium

Notification effected on the Secretary-General of the United Nations: 10 June 2021

Date of effect: 10 June 2021

Registration with the Secretariat of the United Nations: ex officio, 10 June 2021

*No UNTS volume number has yet been determined for this record.

APPLICATION OF REGULATION*

Bosnia and Herzegovina

Notification effected on the Secretary-General of the United Nations: 10 June 2021

Date of effect: 10 June 2021

Registration with the Secretariat of the United Nations: ex officio, 10 June 2021

*No UNTS volume number has yet been determined for this record.

APPLICATION OF REGULATION*

Bulgaria

Notification effected on the Secretary-General of the United Nations: 10 June 2021

Date of effect: 10 June 2021

Registration with the Secretariat of the United Nations: ex officio, 10 June 2021

*No UNTS volume number has yet been determined for this record.

APPLICATION DU RÈGLEMENT

Belgique

Notification effectuée le Secrétaire général de l'Organisation des Nations Unies : 10 juin 2021

Date de prise d'effet : 10 juin 2021

Enregistrement auprès du Secrétariat de l'Organisation des Nations Unies : d'office, 10 juin 2021

*Le numéro de volume RTNU n'a pas encore été établie pour ce dossier.

APPLICATION DU RÈGLEMENT

Bosnie-Herzégovine

Notification effectuée le Secrétaire général de l'Organisation des Nations Unies : 10 juin 2021

Date de prise d'effet : 10 juin 2021

Enregistrement auprès du Secrétariat de l'Organisation des Nations Unies : d'office, 10 juin 2021

*Le numéro de volume RTNU n'a pas encore été établie pour ce dossier.

APPLICATION DU RÈGLEMENT

Bulgarie

Notification effectuée le Secrétaire général de l'Organisation des Nations Unies : 10 juin 2021

Date de prise d'effet : 10 juin 2021

Enregistrement auprès du Secrétariat de l'Organisation des Nations Unies : d'office, 10 juin 2021

*Le numéro de volume RTNU n'a pas encore été établie pour ce dossier.

APPLICATION OF REGULATION*

Croatia

Notification effected on the Secretary-General of the United Nations: 10 June 2021

Date of effect: 10 June 2021

Registration with the Secretariat of the United Nations: ex officio, 10 June 2021

*No UNTS volume number has yet been determined for this record.

APPLICATION OF REGULATION*

Czech Republic

Notification effected on the Secretary-General of the United Nations: 10 June 2021

Date of effect: 10 June 2021

Registration with the Secretariat of the United Nations: ex officio, 10 June 2021

*No UNTS volume number has yet been determined for this record.

APPLICATION OF REGULATION*

Denmark

Notification effected on the Secretary-General of the United Nations: 10 June 2021

Date of effect: 10 June 2021

Registration with the Secretariat of the United Nations: ex officio, 10 June 2021

*No UNTS volume number has yet been determined for this record.

APPLICATION DU RÈGLEMENT

Croatie

Notification effectuée le Secrétaire général de l'Organisation des Nations Unies : 10 juin 2021

Date de prise d'effet : 10 juin 2021

Enregistrement auprès du Secrétariat de l'Organisation des Nations Unies : d'office, 10 juin 2021

*Le numéro de volume RTNU n'a pas encore été établie pour ce dossier.

APPLICATION DU RÈGLEMENT

République tchèque

Notification effectuée le Secrétaire général de l'Organisation des Nations Unies : 10 juin 2021

Date de prise d'effet : 10 juin 2021

Enregistrement auprès du Secrétariat de l'Organisation des Nations Unies : d'office, 10 juin 2021

*Le numéro de volume RTNU n'a pas encore été établie pour ce dossier.

APPLICATION DU RÈGLEMENT

Danemark

Notification effectuée le Secrétaire général de l'Organisation des Nations Unies : 10 juin 2021

Date de prise d'effet : 10 juin 2021

Enregistrement auprès du Secrétariat de l'Organisation des Nations Unies : d'office, 10 juin 2021

*Le numéro de volume RTNU n'a pas encore été établie pour ce dossier.

APPLICATION OF REGULATION*

Egypt

Notification effected on the Secretary-General of the United Nations: 10 June 2021

Date of effect: 10 June 2021

Registration with the Secretariat of the United Nations: ex officio, 10 June 2021

*No UNTS volume number has yet been determined for this record.

APPLICATION OF REGULATION*

Estonia

Notification effected on the Secretary-General of the United Nations: 10 June 2021

Date of effect: 10 June 2021

Registration with the Secretariat of the United Nations: ex officio, 10 June 2021

*No UNTS volume number has yet been determined for this record.

APPLICATION OF REGULATION*

European Union

Notification effected on the Secretary-General of the United Nations: 10 June 2021

Date of effect: 10 June 2021

Registration with the Secretariat of the United Nations: ex officio, 10 June 2021

*No UNTS volume number has yet been determined for this record.

APPLICATION DU RÈGLEMENT

Égypte

Notification effectuée le Secrétaire général de l'Organisation des Nations Unies : 10 juin 2021

Date de prise d'effet : 10 juin 2021

Enregistrement auprès du Secrétariat de l'Organisation des Nations Unies : d'office, 10 juin 2021

*Le numéro de volume RTNU n'a pas encore été établie pour ce dossier.

APPLICATION DU RÈGLEMENT

Estonie

Notification effectuée le Secrétaire général de l'Organisation des Nations Unies : 10 juin 2021

Date de prise d'effet : 10 juin 2021

Enregistrement auprès du Secrétariat de l'Organisation des Nations Unies : d'office, 10 juin 2021

*Le numéro de volume RTNU n'a pas encore été établie pour ce dossier.

APPLICATION DU RÈGLEMENT

Union européenne

Notification effectuée le Secrétaire général de l'Organisation des Nations Unies : 10 juin 2021

Date de prise d'effet : 10 juin 2021

Enregistrement auprès du Secrétariat de l'Organisation des Nations Unies : d'office, 10 juin 2021

*Le numéro de volume RTNU n'a pas encore été établie pour ce dossier.

APPLICATION OF REGULATION*

Finland

Notification effected on the Secretary-General of the United Nations: 10 June 2021

Date of effect: 10 June 2021

Registration with the Secretariat of the United Nations: ex officio, 10 June 2021

*No UNTS volume number has yet been determined for this record.

APPLICATION OF REGULATION*

France

Notification effected on the Secretary-General of the United Nations: 10 June 2021

Date of effect: 10 June 2021

Registration with the Secretariat of the United Nations: ex officio, 10 June 2021

*No UNTS volume number has yet been determined for this record.

APPLICATION OF REGULATION*

Georgia

Notification effected on the Secretary-General of the United Nations: 10 June 2021

Date of effect: 10 June 2021

Registration with the Secretariat of the United Nations: ex officio, 10 June 2021

*No UNTS volume number has yet been determined for this record.

APPLICATION DU RÈGLEMENT

Finlande

Notification effectuée le Secrétaire général de l'Organisation des Nations Unies : 10 juin 2021

Date de prise d'effet : 10 juin 2021

Enregistrement auprès du Secrétariat de l'Organisation des Nations Unies : d'office, 10 juin 2021

*Le numéro de volume RTNU n'a pas encore été établie pour ce dossier.

APPLICATION DU RÈGLEMENT

France

Notification effectuée le Secrétaire général de l'Organisation des Nations Unies : 10 juin 2021

Date de prise d'effet : 10 juin 2021

Enregistrement auprès du Secrétariat de l'Organisation des Nations Unies : d'office, 10 juin 2021

*Le numéro de volume RTNU n'a pas encore été établie pour ce dossier.

APPLICATION DU RÈGLEMENT

Géorgie

Notification effectuée le Secrétaire général de l'Organisation des Nations Unies : 10 juin 2021

Date de prise d'effet : 10 juin 2021

Enregistrement auprès du Secrétariat de l'Organisation des Nations Unies : d'office, 10 juin 2021

*Le numéro de volume RTNU n'a pas encore été établie pour ce dossier.

APPLICATION OF REGULATION*

Germany

Notification effected on the Secretary-General of the United Nations: 10 June 2021

Date of effect: 10 June 2021

Registration with the Secretariat of the United Nations: ex officio, 10 June 2021

*No UNTS volume number has yet been determined for this record.

APPLICATION OF REGULATION*

Greece

Notification effected on the Secretary-General of the United Nations: 10 June 2021

Date of effect: 10 June 2021

Registration with the Secretariat of the United Nations: ex officio, 10 June 2021

*No UNTS volume number has yet been determined for this record.

APPLICATION OF REGULATION*

Hungary

Notification effected on the Secretary-General of the United Nations: 10 June 2021

Date of effect: 10 June 2021

Registration with the Secretariat of the United Nations: ex officio, 10 June 2021

*No UNTS volume number has yet been determined for this record.

APPLICATION DU RÈGLEMENT

Allemagne

Notification effectuée le Secrétaire général de l'Organisation des Nations Unies : 10 juin 2021

Date de prise d'effet : 10 juin 2021

Enregistrement auprès du Secrétariat de l'Organisation des Nations Unies : d'office, 10 juin 2021

*Le numéro de volume RTNU n'a pas encore été établie pour ce dossier.

APPLICATION DU RÈGLEMENT

Grèce

Notification effectuée le Secrétaire général de l'Organisation des Nations Unies : 10 juin 2021

Date de prise d'effet : 10 juin 2021

Enregistrement auprès du Secrétariat de l'Organisation des Nations Unies : d'office, 10 juin 2021

*Le numéro de volume RTNU n'a pas encore été établie pour ce dossier.

APPLICATION DU RÈGLEMENT

Hongrie

Notification effectuée le Secrétaire général de l'Organisation des Nations Unies : 10 juin 2021

Date de prise d'effet : 10 juin 2021

Enregistrement auprès du Secrétariat de l'Organisation des Nations Unies : d'office, 10 juin 2021

*Le numéro de volume RTNU n'a pas encore été établie pour ce dossier.

APPLICATION OF REGULATION*

Italy

Notification effected on the Secretary-General of the United Nations: 10 June 2021

Date of effect: 10 June 2021

Registration with the Secretariat of the United Nations: ex officio, 10 June 2021

*No UNTS volume number has yet been determined for this record.

APPLICATION OF REGULATION*

Japan

Notification effected on the Secretary-General of the United Nations: 10 June 2021

Date of effect: 10 June 2021

Registration with the Secretariat of the United Nations: ex officio, 10 June 2021

*No UNTS volume number has yet been determined for this record.

APPLICATION OF REGULATION*

Kazakhstan

Notification effected on the Secretary-General of the United Nations: 10 June 2021

Date of effect: 10 June 2021

Registration with the Secretariat of the United Nations: ex officio, 10 June 2021

*No UNTS volume number has yet been determined for this record.

APPLICATION DU RÈGLEMENT

Italie

Notification effectuée le Secrétaire général de l'Organisation des Nations Unies : 10 juin 2021

Date de prise d'effet : 10 juin 2021

Enregistrement auprès du Secrétariat de l'Organisation des Nations Unies : d'office, 10 juin 2021

*Le numéro de volume RTNU n'a pas encore été établie pour ce dossier.

APPLICATION DU RÈGLEMENT

Japon

Notification effectuée le Secrétaire général de l'Organisation des Nations Unies : 10 juin 2021

Date de prise d'effet : 10 juin 2021

Enregistrement auprès du Secrétariat de l'Organisation des Nations Unies : d'office, 10 juin 2021

*Le numéro de volume RTNU n'a pas encore été établie pour ce dossier.

APPLICATION DU RÈGLEMENT

Kazakhstan

Notification effectuée le Secrétaire général de l'Organisation des Nations Unies : 10 juin 2021

Date de prise d'effet : 10 juin 2021

Enregistrement auprès du Secrétariat de l'Organisation des Nations Unies : d'office, 10 juin 2021

*Le numéro de volume RTNU n'a pas encore été établie pour ce dossier.

APPLICATION OF REGULATION*

Latvia

Notification effected on the Secretary-General of the United Nations: 10 June 2021

Date of effect: 10 June 2021

Registration with the Secretariat of the United Nations: ex officio, 10 June 2021

*No UNTS volume number has yet been determined for this record.

APPLICATION OF REGULATION*

Lithuania

Notification effected on the Secretary-General of the United Nations: 10 June 2021

Date of effect: 10 June 2021

Registration with the Secretariat of the United Nations: ex officio, 10 June 2021

*No UNTS volume number has yet been determined for this record.

APPLICATION OF REGULATION*

Luxembourg

Notification effected on the Secretary-General of the United Nations: 10 June 2021

Date of effect: 10 June 2021

Registration with the Secretariat of the United Nations: ex officio, 10 June 2021

*No UNTS volume number has yet been determined for this record.

APPLICATION DU RÈGLEMENT

Lettonie

Notification effectuée le Secrétaire général de l'Organisation des Nations Unies : 10 juin 2021

Date de prise d'effet : 10 juin 2021

Enregistrement auprès du Secrétariat de l'Organisation des Nations Unies : d'office, 10 juin 2021

*Le numéro de volume RTNU n'a pas encore été établie pour ce dossier.

APPLICATION DU RÈGLEMENT

Lituanie

Notification effectuée le Secrétaire général de l'Organisation des Nations Unies : 10 juin 2021

Date de prise d'effet : 10 juin 2021

Enregistrement auprès du Secrétariat de l'Organisation des Nations Unies : d'office, 10 juin 2021

*Le numéro de volume RTNU n'a pas encore été établie pour ce dossier.

APPLICATION DU RÈGLEMENT

Luxembourg

Notification effectuée le Secrétaire général de l'Organisation des Nations Unies : 10 juin 2021

Date de prise d'effet : 10 juin 2021

Enregistrement auprès du Secrétariat de l'Organisation des Nations Unies : d'office, 10 juin 2021

*Le numéro de volume RTNU n'a pas encore été établie pour ce dossier.

APPLICATION OF REGULATION*

Malaysia

Notification effected on the Secretary-General of the United Nations: 10 June 2021

Date of effect: 10 June 2021

Registration with the Secretariat of the United Nations: ex officio, 10 June 2021

*No UNTS volume number has yet been determined for this record.

APPLICATION OF REGULATION*

Montenegro

Notification effected on the Secretary-General of the United Nations: 10 June 2021

Date of effect: 10 June 2021

Registration with the Secretariat of the United Nations: ex officio, 10 June 2021

*No UNTS volume number has yet been determined for this record.

APPLICATION OF REGULATION*

Netherlands

Notification effected on the Secretary-General of the United Nations: 10 June 2021

Date of effect: 10 June 2021

Registration with the Secretariat of the United Nations: ex officio, 10 June 2021

*No UNTS volume number has yet been determined for this record.

APPLICATION DU RÈGLEMENT

Malaisie

Notification effectuée le Secrétaire général de l'Organisation des Nations Unies : 10 juin 2021

Date de prise d'effet : 10 juin 2021

Enregistrement auprès du Secrétariat de l'Organisation des Nations Unies : d'office, 10 juin 2021

*Le numéro de volume RTNU n'a pas encore été établie pour ce dossier.

APPLICATION DU RÈGLEMENT

Monténégro

Notification effectuée le Secrétaire général de l'Organisation des Nations Unies : 10 juin 2021

Date de prise d'effet : 10 juin 2021

Enregistrement auprès du Secrétariat de l'Organisation des Nations Unies : d'office, 10 juin 2021

*Le numéro de volume RTNU n'a pas encore été établie pour ce dossier.

APPLICATION DU RÈGLEMENT

Pays-Bas

Notification effectuée le Secrétaire général de l'Organisation des Nations Unies : 10 juin 2021

Date de prise d'effet : 10 juin 2021

Enregistrement auprès du Secrétariat de l'Organisation des Nations Unies : d'office, 10 juin 2021

*Le numéro de volume RTNU n'a pas encore été établie pour ce dossier.

APPLICATION OF REGULATION*

New Zealand

Notification effected on the Secretary-General of the United Nations: 10 June 2021

Date of effect: 10 June 2021

Registration with the Secretariat of the United Nations: ex officio, 10 June 2021

*No UNTS volume number has yet been determined for this record.

APPLICATION OF REGULATION*

Nigeria

Notification effected on the Secretary-General of the United Nations: 10 June 2021

Date of effect: 10 June 2021

Registration with the Secretariat of the United Nations: ex officio, 10 June 2021

*No UNTS volume number has yet been determined for this record.

APPLICATION OF REGULATION*

North Macedonia

Notification effected on the Secretary-General of the United Nations: 10 June 2021

Date of effect: 10 June 2021

Registration with the Secretariat of the United Nations: ex officio, 10 June 2021

*No UNTS volume number has yet been determined for this record.

APPLICATION DU RÈGLEMENT

Nouvelle-Zélande

Notification effectuée le Secrétaire général de l'Organisation des Nations Unies : 10 juin 2021

Date de prise d'effet : 10 juin 2021

Enregistrement auprès du Secrétariat de l'Organisation des Nations Unies : d'office, 10 juin 2021

*Le numéro de volume RTNU n'a pas encore été établie pour ce dossier.

APPLICATION DU RÈGLEMENT

Nigéria

Notification effectuée le Secrétaire général de l'Organisation des Nations Unies : 10 juin 2021

Date de prise d'effet : 10 juin 2021

Enregistrement auprès du Secrétariat de l'Organisation des Nations Unies : d'office, 10 juin 2021

*Le numéro de volume RTNU n'a pas encore été établie pour ce dossier.

APPLICATION DU RÈGLEMENT

Macédoine du Nord

Notification effectuée le Secrétaire général de l'Organisation des Nations Unies : 10 juin 2021

Date de prise d'effet : 10 juin 2021

Enregistrement auprès du Secrétariat de l'Organisation des Nations Unies : d'office, 10 juin 2021

*Le numéro de volume RTNU n'a pas encore été établie pour ce dossier.

APPLICATION OF REGULATION*

Norway

Notification effected on the Secretary-General of the United Nations: 10 June 2021

Date of effect: 10 June 2021

Registration with the Secretariat of the United Nations: ex officio, 10 June 2021

*No UNTS volume number has yet been determined for this record.

APPLICATION OF REGULATION*

Pakistan

Notification effected on the Secretary-General of the United Nations: 10 June 2021

Date of effect: 10 June 2021

Registration with the Secretariat of the United Nations: ex officio, 10 June 2021

*No UNTS volume number has yet been determined for this record.

APPLICATION OF REGULATION*

Poland

Notification effected on the Secretary-General of the United Nations: 10 June 2021

Date of effect: 10 June 2021

Registration with the Secretariat of the United Nations: ex officio, 10 June 2021

*No UNTS volume number has yet been determined for this record.

APPLICATION DU RÈGLEMENT

Norvège

Notification effectuée le Secrétaire général de l'Organisation des Nations Unies : 10 juin 2021

Date de prise d'effet : 10 juin 2021

Enregistrement auprès du Secrétariat de l'Organisation des Nations Unies : d'office, 10 juin 2021

*Le numéro de volume RTNU n'a pas encore été établie pour ce dossier.

APPLICATION DU RÈGLEMENT

Pakistan

Notification effectuée le Secrétaire général de l'Organisation des Nations Unies : 10 juin 2021

Date de prise d'effet : 10 juin 2021

Enregistrement auprès du Secrétariat de l'Organisation des Nations Unies : d'office, 10 juin 2021

*Le numéro de volume RTNU n'a pas encore été établie pour ce dossier.

APPLICATION DU RÈGLEMENT

Pologne

Notification effectuée le Secrétaire général de l'Organisation des Nations Unies : 10 juin 2021

Date de prise d'effet : 10 juin 2021

Enregistrement auprès du Secrétariat de l'Organisation des Nations Unies : d'office, 10 juin 2021

*Le numéro de volume RTNU n'a pas encore été établie pour ce dossier.

APPLICATION OF REGULATION*

Portugal

Notification effected on the Secretary-General of the United Nations: 10 June 2021

Date of effect: 10 June 2021

Registration with the Secretariat of the United Nations: ex officio, 10 June 2021

*No UNTS volume number has yet been determined for this record.

APPLICATION OF REGULATION*

Republic of Korea

Notification effected on the Secretary-General of the United Nations: 10 June 2021

Date of effect: 10 June 2021

Registration with the Secretariat of the United Nations: ex officio, 10 June 2021

*No UNTS volume number has yet been determined for this record.

APPLICATION OF REGULATION*

Republic of Moldova

Notification effected on the Secretary-General of the United Nations: 10 June 2021

Date of effect: 10 June 2021

Registration with the Secretariat of the United Nations: ex officio, 10 June 2021

*No UNTS volume number has yet been determined for this record.

APPLICATION DU RÈGLEMENT

Portugal

Notification effectuée le Secrétaire général de l'Organisation des Nations Unies : 10 juin 2021

Date de prise d'effet : 10 juin 2021

Enregistrement auprès du Secrétariat de l'Organisation des Nations Unies : d'office, 10 juin 2021

*Le numéro de volume RTNU n'a pas encore été établie pour ce dossier.

APPLICATION DU RÈGLEMENT

République de Corée

Notification effectuée le Secrétaire général de l'Organisation des Nations Unies : 10 juin 2021

Date de prise d'effet : 10 juin 2021

Enregistrement auprès du Secrétariat de l'Organisation des Nations Unies : d'office, 10 juin 2021

*Le numéro de volume RTNU n'a pas encore été établie pour ce dossier.

APPLICATION DU RÈGLEMENT

République de Moldova

Notification effectuée le Secrétaire général de l'Organisation des Nations Unies : 10 juin 2021

Date de prise d'effet : 10 juin 2021

Enregistrement auprès du Secrétariat de l'Organisation des Nations Unies : d'office, 10 juin 2021

*Le numéro de volume RTNU n'a pas encore été établie pour ce dossier.

APPLICATION OF REGULATION*

Romania

Notification effected on the Secretary-General of the United Nations: 10 June 2021

Date of effect: 10 June 2021

Registration with the Secretariat of the United Nations: ex officio, 10 June 2021

*No UNTS volume number has yet been determined for this record.

APPLICATION OF REGULATION*

Russian Federation

Notification effected on the Secretary-General of the United Nations: 10 June 2021

Date of effect: 10 June 2021

Registration with the Secretariat of the United Nations: ex officio, 10 June 2021

*No UNTS volume number has yet been determined for this record.

APPLICATION OF REGULATION*

San Marino

Notification effected on the Secretary-General of the United Nations: 10 June 2021

Date of effect: 10 June 2021

Registration with the Secretariat of the United Nations: ex officio, 10 June 2021

*No UNTS volume number has yet been determined for this record.

APPLICATION DU RÈGLEMENT

Roumanie

Notification effectuée le Secrétaire général de l'Organisation des Nations Unies : 10 juin 2021

Date de prise d'effet : 10 juin 2021

Enregistrement auprès du Secrétariat de l'Organisation des Nations Unies : d'office, 10 juin 2021

*Le numéro de volume RTNU n'a pas encore été établie pour ce dossier.

APPLICATION DU RÈGLEMENT

Fédération de Russie

Notification effectuée le Secrétaire général de l'Organisation des Nations Unies : 10 juin 2021

Date de prise d'effet : 10 juin 2021

Enregistrement auprès du Secrétariat de l'Organisation des Nations Unies : d'office, 10 juin 2021

*Le numéro de volume RTNU n'a pas encore été établie pour ce dossier.

APPLICATION DU RÈGLEMENT

Saint-Marin

Notification effectuée le Secrétaire général de l'Organisation des Nations Unies : 10 juin 2021

Date de prise d'effet : 10 juin 2021

Enregistrement auprès du Secrétariat de l'Organisation des Nations Unies : d'office, 10 juin 2021

*Le numéro de volume RTNU n'a pas encore été établie pour ce dossier.

APPLICATION OF REGULATION*

Serbia

Notification effected on the Secretary-General of the United Nations: 10 June 2021

Date of effect: 10 June 2021

Registration with the Secretariat of the United Nations: ex officio, 10 June 2021

*No UNTS volume number has yet been determined for this record.

APPLICATION OF REGULATION*

Slovakia

Notification effected on the Secretary-General of the United Nations: 10 June 2021

Date of effect: 10 June 2021

Registration with the Secretariat of the United Nations: ex officio, 10 June 2021

*No UNTS volume number has yet been determined for this record.

APPLICATION OF REGULATION*

Slovenia

Notification effected on the Secretary-General of the United Nations: 10 June 2021

Date of effect: 10 June 2021

Registration with the Secretariat of the United Nations: ex officio, 10 June 2021

*No UNTS volume number has yet been determined for this record.

APPLICATION DU RÈGLEMENT

Serbie

Notification effectuée le Secrétaire général de l'Organisation des Nations Unies : 10 juin 2021

Date de prise d'effet : 10 juin 2021

Enregistrement auprès du Secrétariat de l'Organisation des Nations Unies : d'office, 10 juin 2021

*Le numéro de volume RTNU n'a pas encore été établie pour ce dossier.

APPLICATION DU RÈGLEMENT

Slovaquie

Notification effectuée le Secrétaire général de l'Organisation des Nations Unies : 10 juin 2021

Date de prise d'effet : 10 juin 2021

Enregistrement auprès du Secrétariat de l'Organisation des Nations Unies : d'office, 10 juin 2021

*Le numéro de volume RTNU n'a pas encore été établie pour ce dossier.

APPLICATION DU RÈGLEMENT

Slovénie

Notification effectuée le Secrétaire général de l'Organisation des Nations Unies : 10 juin 2021

Date de prise d'effet : 10 juin 2021

Enregistrement auprès du Secrétariat de l'Organisation des Nations Unies : d'office, 10 juin 2021

*Le numéro de volume RTNU n'a pas encore été établie pour ce dossier.

APPLICATION OF REGULATION*

South Africa

Notification effected on the Secretary-General of the United Nations: 10 June 2021

Date of effect: 10 June 2021

Registration with the Secretariat of the United Nations: ex officio, 10 June 2021

*No UNTS volume number has yet been determined for this record.

APPLICATION OF REGULATION*

Spain

Notification effected on the Secretary-General of the United Nations: 10 June 2021

Date of effect: 10 June 2021

Registration with the Secretariat of the United Nations: ex officio, 10 June 2021

*No UNTS volume number has yet been determined for this record.

APPLICATION OF REGULATION*

Sweden

Notification effected on the Secretary-General of the United Nations: 10 June 2021

Date of effect: 10 June 2021

Registration with the Secretariat of the United Nations: ex officio, 10 June 2021

*No UNTS volume number has yet been determined for this record.

APPLICATION DU RÈGLEMENT

Afrique du Sud

Notification effectuée le Secrétaire général de l'Organisation des Nations Unies : 10 juin 2021

Date de prise d'effet : 10 juin 2021

Enregistrement auprès du Secrétariat de l'Organisation des Nations Unies : d'office, 10 juin 2021

*Le numéro de volume RTNU n'a pas encore été établie pour ce dossier.

APPLICATION DU RÈGLEMENT

Espagne

Notification effectuée le Secrétaire général de l'Organisation des Nations Unies : 10 juin 2021

Date de prise d'effet : 10 juin 2021

Enregistrement auprès du Secrétariat de l'Organisation des Nations Unies : d'office, 10 juin 2021

*Le numéro de volume RTNU n'a pas encore été établie pour ce dossier.

APPLICATION DU RÈGLEMENT

Suède

Notification effectuée le Secrétaire général de l'Organisation des Nations Unies : 10 juin 2021

Date de prise d'effet : 10 juin 2021

Enregistrement auprès du Secrétariat de l'Organisation des Nations Unies : d'office, 10 juin 2021

*Le numéro de volume RTNU n'a pas encore été établie pour ce dossier.

APPLICATION OF REGULATION*

Switzerland

Notification effected on the Secretary-General of the United Nations: 10 June 2021

Date of effect: 10 June 2021

Registration with the Secretariat of the United Nations: ex officio, 10 June 2021

*No UNTS volume number has yet been determined for this record.

APPLICATION OF REGULATION*

Thailand

Notification effected on the Secretary-General of the United Nations: 10 June 2021

Date of effect: 10 June 2021

Registration with the Secretariat of the United Nations: ex officio, 10 June 2021

*No UNTS volume number has yet been determined for this record.

APPLICATION OF REGULATION*

Tunisia

Notification effected on the Secretary-General of the United Nations: 10 June 2021

Date of effect: 10 June 2021

Registration with the Secretariat of the United Nations: ex officio, 10 June 2021

*No UNTS volume number has yet been determined for this record.

APPLICATION DU RÈGLEMENT

Suisse

Notification effectuée le Secrétaire général de l'Organisation des Nations Unies : 10 juin 2021

Date de prise d'effet : 10 juin 2021

Enregistrement auprès du Secrétariat de l'Organisation des Nations Unies : d'office, 10 juin 2021

*Le numéro de volume RTNU n'a pas encore été établie pour ce dossier.

APPLICATION DU RÈGLEMENT

Thaïlande

Notification effectuée le Secrétaire général de l'Organisation des Nations Unies : 10 juin 2021

Date de prise d'effet : 10 juin 2021

Enregistrement auprès du Secrétariat de l'Organisation des Nations Unies : d'office, 10 juin 2021

*Le numéro de volume RTNU n'a pas encore été établie pour ce dossier.

APPLICATION DU RÈGLEMENT

Tunisie

Notification effectuée le Secrétaire général de l'Organisation des Nations Unies : 10 juin 2021

Date de prise d'effet : 10 juin 2021

Enregistrement auprès du Secrétariat de l'Organisation des Nations Unies : d'office, 10 juin 2021

*Le numéro de volume RTNU n'a pas encore été établie pour ce dossier.

APPLICATION OF REGULATION*

Turkey

Notification effected on the Secretary-General of the United Nations: 10 June 2021

Date of effect: 10 June 2021

Registration with the Secretariat of the United Nations: ex officio, 10 June 2021

*No UNTS volume number has yet been determined for this record.

APPLICATION OF REGULATION*

Ukraine

Notification effected on the Secretary-General of the United Nations: 10 June 2021

Date of effect: 10 June 2021

Registration with the Secretariat of the United Nations: ex officio, 10 June 2021

*No UNTS volume number has yet been determined for this record.

APPLICATION OF REGULATION*

United Kingdom of Great Britain and Northern Ireland

Notification effected on the Secretary-General of the United Nations: 10 June 2021

Date of effect: 10 June 2021

Registration with the Secretariat of the United Nations: ex officio, 10 June 2021

*No UNTS volume number has yet been determined for this record.

APPLICATION DU RÈGLEMENT

Turquie

Notification effectuée le Secrétaire général de l'Organisation des Nations Unies : 10 juin 2021

Date de prise d'effet : 10 juin 2021

Enregistrement auprès du Secrétariat de l'Organisation des Nations Unies : d'office, 10 juin 2021

*Le numéro de volume RTNU n'a pas encore été établie pour ce dossier.

APPLICATION DU RÈGLEMENT

Ukraine

Notification effectuée le Secrétaire général de l'Organisation des Nations Unies : 10 juin 2021

Date de prise d'effet : 10 juin 2021

Enregistrement auprès du Secrétariat de l'Organisation des Nations Unies : d'office, 10 juin 2021

*Le numéro de volume RTNU n'a pas encore été établie pour ce dossier.

APPLICATION DU RÈGLEMENT

Royaume-Uni de Grande-Bretagne et d'Irlande du Nord

Notification effectuée le Secrétaire général de l'Organisation des Nations Unies : 10 juin 2021

Date de prise d'effet : 10 juin 2021

Enregistrement auprès du Secrétariat de l'Organisation des Nations Unies : d'office, 10 juin 2021

*Le numéro de volume RTNU n'a pas encore été établie pour ce dossier.

APPLICATION OF REGULATION*

Uganda

*Notification effected on the Secretary-General of the United Nations:
23 August 2022*

Date of effect: 22 October 2022

Registration with the Secretariat of the United Nations: ex officio, 23 August 2022

**No UNTS volume number has yet been determined for this record.*

APPLICATION OF REGULATION*

Philippines

*Notification effected on the Secretary-General of the United Nations:
3 November 2022*

Date of effect: 2 January 2023

Registration with the Secretariat of the United Nations: ex officio, 3 November 2022

**No UNTS volume number has yet been determined for this record.*

APPLICATION DU RÈGLEMENT

Ouganda

Notification effectuée le Secrétaire général de l'Organisation des Nations Unies : 23 août 2022

Date de prise d'effet : 22 octobre 2022

Enregistrement auprès du Secrétariat de l'Organisation des Nations Unies : d'office, 23 août 2022

**Le numéro de volume RTNU n'a pas encore été établie pour ce dossier.*

APPLICATION DU RÈGLEMENT

Philippines

Notification effectuée le Secrétaire général de l'Organisation des Nations Unies : 3 novembre 2022

Date de prise d'effet : 2 janvier 2023

Enregistrement auprès du Secrétariat de l'Organisation des Nations Unies : d'office, 3 novembre 2022

**Le numéro de volume RTNU n'a pas encore été établie pour ce dossier.*