

No. 4789. Multilateral

AGREEMENT CONCERNING THE ADOPTION OF HARMONIZED TECHNICAL UNITED NATIONS REGULATIONS FOR WHEELED VEHICLES, EQUIPMENT AND PARTS WHICH CAN BE FITTED AND/OR BE USED ON WHEELED VEHICLES AND THE CONDITIONS FOR RECIPROCAL RECOGNITION OF APPROVALS GRANTED ON THE BASIS OF THESE UNITED NATIONS REGULATIONS. GENEVA, 20 MARCH 1958 [*United Nations, Treaty Series, vol. 335, I-4789.*]

UNITED NATIONS REGULATION NO. 166. UNIFORM PROVISIONS CONCERNING THE APPROVAL OF DEVICES AND MOTOR VEHICLES WITH REGARD TO THE DRIVER'S AWARENESS OF VULNERABLE ROAD USERS IN CLOSE PROXIMITY TO THE FRONT AND LATERAL SIDES OF VEHICLES. GENEVA, 15 NOVEMBER 2022*

Entry into force: 8 June 2023, in accordance with article 1(4)

Authentic texts: English, French and Russian

Registration with the Secretariat of the United Nations: ex officio, 8 June 2023

*No UNTS volume number has yet been determined for this record. The Text(s) reproduced below, if attached, are the authentic texts of the agreement /action attachment as submitted for registration and publication to the Secretariat. For ease of reference they were sequentially paginated. Translations, if attached, are not final and are provided for information only.

N° 4789. Multilatéral

ACCORD CONCERNANT L'ADOPTION DE RÈGLEMENTS TECHNIQUES HARMONISÉS DE L'ONU APPLICABLES AUX VÉHICULES À ROUES ET AUX ÉQUIPEMENTS ET PIÈCES SUSCEPTIBLES D'ÊTRE MONTÉS OU UTILISÉS SUR LES VÉHICULES À ROUES ET LES CONDITIONS DE RECONNAISSANCE RÉCIPROQUE DES HOMOLOGATIONS DÉLIVRÉES CONFORMÉMENT À CES RÈGLEMENTS. GENÈVE, 20 MARS 1958 [*Nations Unies, Recueil des Traités, vol. 335, I-4789.*]

RÈGLEMENT DE L'ONU N° 166. PRESCRIPTIONS UNIFORMES RELATIVES À L'HOMOLOGATION DES DISPOSITIFS ET DES VÉHICULES À MOTEUR EN CE QUI CONCERNE LA PERCEPTION PAR LE CONDUCTEUR DE LA PRÉSENCE D'USAGERS DE LA ROUTE VULNÉRABLES À PROXIMITÉ IMMÉDIATE DE L'AVANT ET DES CÔTÉS DU VÉHICULE. GENÈVE, 15 NOVEMBRE 2022*

Entrée en vigueur : 8 juin 2023, conformément au paragraphe 4 de l'article 1

Textes authentiques : anglais, français et russe

Enregistrement auprès du Secrétariat de l'Organisation des Nations Unies : d'office, 8 juin 2023

*Aucun numéro de volume n'a encore été attribué à ce dossier. Les textes disponibles qui sont reproduits ci-dessous sont les textes originaux de l'accord ou de l'action tels que soumis pour enregistrement. Par souci de clarté, leurs pages ont été numérotées. Les traductions qui accompagnent ces textes ne sont pas définitives et sont fournies uniquement à titre d'information.

[TEXT IN ENGLISH – TEXTE EN ANGLAIS]

Economic Commission for Europe

Inland Transport Committee

World Forum for Harmonization of Vehicle Regulations

188th session

Geneva, 14-16 November 2022

Item 4.13.1 of the provisional agenda

1958 Agreement:

Consideration of proposals for new UN Regulations submitted by the Working Parties subsidiary to the World Forum

Proposal of new UN Regulation on Vulnerable Road Users in Front and Side Close Proximity

Submitted by the Working Party on General Safety Provisions *

The text reproduced below was adopted by the Working Party on General Safety Provisions (GRSG) at its 123rd session (ECE/TRANS/WP.29/GRSG/102, para. 25). It is based on ECE/TRANS/WP.29/GRSG/2022/6 as amended by annex VI to the report. It is submitted to the World Forum for Harmonization of Vehicle Regulations (WP.29) and to the Administrative Committee (AC.1) for consideration at their November 2022 sessions.

* In accordance with the programme of work of the Inland Transport Committee for 2022 as outlined in proposed programme budget for 2022 (A/76/6 (part V, sect. 20) para. 20.76), the World Forum will develop, harmonize and update UN Regulations in order to enhance the performance of vehicles. The present document is submitted in conformity with that mandate.

Proposal of a new UN Regulation on Vulnerable Road Users in Front and Side Close Proximity, to read:

"UN Regulation No. XXX¹

**Uniform Provisions Concerning the Approval of
Devices and Motor Vehicles with Regard to the
Driver's Awareness of Vulnerable Road Users in Close-
Proximity to the Front and Lateral Sides of Vehicles**

Contents

Page**

Regulation

0.	Introduction	
1.	Scope	
Part I.	Devices for Means of Front and Lateral Side Visibility	
2.	Definitions	
3.	Application for Approval	
4.	Markings	
5.	Approval	
6.	Requirements	
7.	Modification of the Type of Device for Means of Front and Lateral Side Visibility and Extension of Approval	
8.	Conformity of Production	
9.	Penalties for Non-Conformity of Production	
10.	Production Definitively Discontinued	
11.	Names and Addresses of Technical Services Responsible for Conducting Approval Tests, and of Type Approval Authorities	
Part II.	Vehicle Installation of Means of Front and Lateral Vision or Detection	
12.	Definitions	
13.	Application for Approval	
14.	Approval	
15.	Requirements	
16.	Requirements for Front and Lateral View Camera System	
17.	Requirements for Detection Systems	
18.	Modifications of the Vehicle Type and Extension of Approvals	
19.	Conformity of Production	
20.	Penalties for Non-Conformity of Protection	
21.	Production Definitively Discontinued	

¹ The Regulation number will be known at the time of entry into force of this UN Regulation. [XXX] is to be replaced by the Regulation number once determined.

** Page numbers will be added at a later stage.

- 22. Names and Addresses of Technical Services Responsible for Conducting Approval Tests, and of Type Approval Authorities

Annexes

- 1 Information Document for Type Approval of a Device for Means of Front and Lateral Vision
- 2 Information Document for Type Approval of a Vehicle to be Installed with a Means of Front and Lateral Vision or Detection
- 3 Communication on the Approval or Refusal or Extension or Withdrawal of Approval or Production Definitively Discontinued of a Type of Device (Separate Technical Unit) for Means of Front and Lateral Vision
- 4 Communication on the Approval or Refusal or Extension or Withdrawal of Approval or Production Definitively Discontinued of a Type of Vehicle with Regard to Means of Front and Lateral Vision or Detection
- Appendix
- 5 Arrangement of Approval Mark for a Device for Means of Front and Lateral Vision.....
- 6 Test Method to Determine Reflectivity
- 7 Procedure to Determine the Radius of Curvature "r" of the Reflective Surface of a Mirror.....
- 8 Procedure to Determine the "H" Point and the Actual Torso Angle for Seat Positions in Motor Vehicles.....
- Appendix 1 - Description of the Three-Dimensional "H" Point Machine (3-D H Machine)
- Appendix 2 - Three-Dimensional Reference System.....
- Appendix 3 - Reference Data for the Seat Positions
- 9 Test Methods for Close-Proximity Front and Lateral Field of Vision
- 10 Adjustment Methods for the Driver's Ocular Points.....
- 11 Range of Blind Area Created by the A-Pillar or Exterior Front and Lateral Side View Mirror.....
- 12 Test Methods for Detection Systems.....

0. Introduction (for information)

The purpose of this Regulation is to provide the provisions for enhancing Driver's awareness of vulnerable road users at the front and sides of the vehicles before the vehicle starts from standstill. While UN Regulation No. 46. provides the provisions for indirect vision of motor vehicles, this Regulation expands a driver's vision or awareness of the vehicle's front and lateral directions before the vehicle is starts from standstill. Therefore, some requirements of this Regulation may be satisfied by devices complying with UN Regulation No.46.

1. Scope

- 1.1. This Regulation applies to:
 - 1.1.1. Approval of means of front and lateral vision defined in Part I intended to be fitted to vehicles of category M₁ and N₁.
 - 1.1.2. Approval of vehicle installation of devices of front and lateral vision or detection defined in Part II intended to be fitted to vehicles of category M₁ and N₁.
 - 1.1.3. At the request of the manufacturer, Contracting Parties may grant approvals under Parts I and II to vehicles, and to the installation of devices for fitting to such vehicles, of other categories and devices for fitting to such vehicles.
 - 1.1.4. It does not apply to systems primarily meant to aid parking manoeuvres of the vehicle.
- 1.2. Vehicles where installation of means of front and lateral vision or detection is incompatible with their on-road use may be partly or fully exempted from this Regulation, subject to the decision of the Type Approval Authority.
- 1.3. If a vehicle has multiple device(s), the manufacturer shall designate the device that meets the provisions of the UN Regulation.

Part I - Devices for Means of Front and Lateral Side Visibility

2. Definitions

For the purposes of this UN Regulation:

- 2.1. "*Devices for means of front and lateral vision or detection*" means devices intended to give a clear driver vision of the front and lateral of the vehicle within the fields of vision defined in paragraph 15.2. or intended to detect objects in the field of detection defined in paragraph 15.3.
These can be conventional mirrors, front and lateral view camera system, detection systems or any other devices having the same purpose.
- 2.1.1. "*Close-proximity front and lateral view device*" means a device that gives the field of vision defined in paragraph 15.2. of this Regulation.
- 2.1.2. "*Devices for means of front and lateral vision*" means devices that present information of the fields of vision defined in paragraph 15.2."
- 2.1.2.1. "*Front and Lateral Side View Camera System (FLVCS)*" means any system intended to render an image of the outside world and give a clear view to the front and lateral of the vehicle within the fields of vision defined in paragraph 15.2. by means of camera.

- 2.1.2.1.1. "*Luminance contrast*" means the brightness ratio between an object and its immediate background/surrounding that allows the object to be distinguished from its background/surroundings. The definition is in accordance with the definition given in ISO 9241-302:2008.
- 2.1.2.1.2. "*Resolution*" means the smallest detail that can be discerned with a perceptual system, i.e., perceived as separate from the larger whole. The resolution of the human eye is indicated as "visual acuity".
- 2.1.2.1.3. "*Visual spectrum*" means light with a wavelength within the range of the perceptual limits of the human eyes: 380-780 nm.
- 2.1.2.2. "*Close-proximity front and lateral view mirror*" means any device, excluding devices such as periscopes, intended to give a clear view to the front and lateral side(s) of the vehicle within the fields of vision defined in 2.1.4. and described in paragraph 15.2. by means of a reflective surface.
- 2.1.2.2.1. "*r*" means the average of the radii of curvature measured over the reflecting surface, in accordance with the method described in Annex 7.
- 2.1.2.2.2. "*The principal radii of curvature at one point on the reflecting surface (r_j)*" means the values obtained with the apparatus defined in Annex 7, measured on the arc of the reflecting surface passing through the centre of this surface parallel to the segment b, as defined in paragraph 6.1.2.1.2. of this Regulation and on the arc perpendicular to this segment.
- 2.1.2.2.3. "*The radius of curvature at one point on the reflecting surface (r_p)*" means the arithmetical average of the principal radii of curvature r_i and r_i' , i.e.:

$$r_p = \frac{r_i + r_i'}{2}$$

- 2.1.2.2.4. "*Spherical surface*" means a surface, which has a constant and equal radius in all directions.
- 2.1.2.2.5. "*Aspherical surface*" means a surface, which has only in one plane a constant radius.
- 2.1.2.2.6. "*Aspherical mirror*" means a mirror composed of a spherical and an aspherical part, in which the transition of the reflecting surface from the spherical to the aspherical part has to be marked. The curvature of the main axis of the mirror is defined in the x/y coordinate system defined by the radius of the spherical primary calotte with:

$$y = R - \sqrt{(R^2 - x^2)} + k(x - a)^3$$

Where:

- R: nominal radius in the spherical part
 k: constant for the change of curvature
 a: constant for the spherical size of the spherical primary calotte

- 2.1.2.2.7. "*Centre of the reflecting surface*" means the centre of the visible area of the reflecting surface.
- 2.1.2.2.8. "*The radius of curvature of the constituent parts of the mirror*" means the radius "c" of the arc of the circle which most closely approximates to the curved form of the part in question.
- 2.1.2.3. "*Other devices for means of front and lateral vision*" means devices as defined in paragraph 2.1.2.1. to 2.1.2.2.8. above, where the field of vision is not obtained by means of a mirror or a FLVCS.

- 2.1.3. "Test object" means a cylindrical object with a height of 1.0 m and a diameter of 0.30 m.
- 2.1.4. "Field of vision" means the section of the tri-dimensional space above ground level which is monitored by direct vision or with the help of a device for indirect vision. Unless otherwise stated, this is based on the view offered by a device and/or devices other than mirrors. This may be limited by the relevant detection distance corresponding to the test object.
- 2.1.5. "Detection System" means a system which uses signals to enable the driver to detect objects in the area adjacent to the vehicle.
- 2.1.5.1. "Acoustic information" means information using auditory signals provided by a detection system as defined in paragraph 2.1.5. above to enable the driver to detect objects in the area adjacent to the vehicle.
- 2.1.5.2. "Optical information" means information using optical signals provided by a detection system as defined in paragraph 2.1.5. above to enable the driver to detect objects in the area adjacent to the vehicle.
- 2.1.5.3. "Haptic information" means information using haptic signals provided by a detection system as defined in paragraph 2.1.5. above to enable the driver to detect objects in the area adjacent to the vehicle.
- 2.1.6. "Field of detection" means the section of the tri-dimensional space above ground level which is monitored with the help of a detection system.
- 2.2. "Type of device for means of front and lateral vision or detection" means devices that do not differ on the following essential characteristics:
 - (a) Design of the device inclusive, if pertinent, the attachment to the bodywork;
 - (b) In the case of mirrors, the shape, the dimensions and radius of curvature of the mirror's reflecting surface;
 - (c) In the case of FLVCS, the field of view, the magnification.
 - (d) In the case of detection systems, the sensor type, the information signal type.

3. Application for Approval

- 3.1. The application for approval of a type of device for means of front and lateral vision shall be submitted by the holder of the trade name or mark or by his duly accredited representative.
- 3.2. A model of information document is shown in Annex 1.
- 3.3. For each type of device for means of front and lateral vision the application shall be accompanied by three samples of the parts.
- 3.4. The manufacturer shall designate the device(s) that are presented for approval to this UN Regulation.

4. Markings

- 4.1. The samples of devices for means of front and lateral vision submitted for approval shall bear the trade name or mark of the manufacturer; this marking shall be clearly legible and be indelible.
- 4.2. Every device for means of front and lateral vision shall possess, on at least one of the main components, a space large enough to accommodate the approval mark, which shall be legible; this space shall be shown on the drawings referred to in Annex 1. The approval mark shall also be legible

when the device is mounted on the vehicle. Other components of the device shall bear a means of identification. In the case of limited space for the approval mark(s), other means of identification that link it to the approval mark shall be provided.

5. Approval

- 5.1. If the samples submitted for approval meet the requirements of paragraph 6. of this Regulation, approval of the pertinent type of device for means of front and lateral vision shall be granted.
- 5.2. An approval number shall be assigned to each type approved. Its first two digits (at present 00) shall indicate the series of amendments incorporating the most recent major technical amendments made to the Regulation at the time of issue of the approval. The same Contracting Party shall not assign the same number to another type of device for means of front and lateral vision.
- 5.3. Notice of approval or of refusal or of extension or withdrawal of approval or of production definitively discontinued of a type of device for means of front and lateral vision pursuant to this Regulation shall be communicated to the Parties to the Agreement which apply this Regulation by means of a form conforming to the model in Annex 3 to this Regulation.
- 5.4. There shall be affixed, on at least one of the main components, conspicuously and in the space referred to in paragraph 4.2. above, to every device for means of front and lateral vision, conforming to a type approved under this Regulation, in addition to the mark prescribed in paragraph 4.1. above, an international approval mark consisting of:
 - 5.4.1. A circle surrounding the letter "E" followed by:
 - (a) The distinguishing number of the country which has granted approval;¹ and
 - (b) The number of this Regulation, followed by the letter "R", a dash and the approval number.
- 5.5. The approval mark and the additional symbol(s) shall be clearly legible and be indelible.
- 5.6. Annex 5 to this Regulation gives an example of the arrangement of the aforesaid approval mark and additional symbol.

6. Requirements

- 6.1. Close-proximity front and lateral vision mirrors
 - 6.1.1. General specifications
 - 6.1.1.1. Locations of all mirror surface that comply this Regulation shall be fixed to the vehicle body in order to provide the field of vision when the driver sees it.
 - 6.1.2. Special specifications
 - 6.1.2.1. Dimensions

¹ The distinguishing numbers of the Contracting Parties to the 1958 Agreement are reproduced in Annex 3 to the Consolidated Resolution on the Construction of Vehicles (R.E.3), document ECE/TRANS/WP.29/78/Rev.6 - <https://unece.org/transport/standards/transport/vehicle-regulations-wp29/resolutions>.

- 6.1.2.1.1. The contours of the reflecting surface shall be of simple geometric form and its dimensions such that the mirror provides the field of vision specified in paragraph 15.2. of this UN Regulation.
- 6.1.2.2. Reflecting surface and coefficients of reflection
- 6.1.2.2.1. The reflecting surface of a mirror shall be either flat or spherically convex. Exterior mirrors may be equipped with an additional aspherical part provided that the main mirror fulfils the requirements of the indirect field of vision.
- 6.1.2.2.2. Differences between the radii of curvature of mirrors
- 6.1.2.2.2.1. The difference between r_1 or r'_1 , and r_p at each reference point shall not exceed 0.15 r.
- 6.1.2.2.2.2. The difference between any of the radii of curvature (r_{p1} , r_{p2} , and r_{p3}) and r shall not exceed 0.15 r.
- 6.1.2.2.2.3. When r is not less than 3,000 mm, the value of 0.15 r quoted in paragraphs 6.1.2.2.2.1. and 6.1.2.2.2.2. above is replaced by 0.25 r.
- 6.1.2.2.3. The value of the normal coefficient of reflection, as determined according to the method described in Annex 6, shall be not less than 40 per cent.

In the case of reflecting surfaces with a changeable degree of reflection, the "day" position shall allow the colours of the signals used for road traffic to be recognized. The value of the normal coefficient of reflection in the "night" position shall be not less than 4 per cent.
- 6.1.2.2.4. The reflecting surface shall retain the characteristics laid down in paragraph 6.1.2.2.3. above in spite of prolonged exposure to adverse weather conditions in normal use.

7. Modification of the Type of Device for Means of Front and Lateral Side Visibility and Extension of Approval

- 7.1. Every modification to an existing type of device for means of front and lateral vision including its connection to the bodywork shall be notified to the Type Approval Authority which approved the type of device for means of front and lateral vision. The Type Approval Authority shall then either:
 - (a) Decide, in consultation with the manufacturer, that a new type-approval is to be granted; or
 - (b) Apply the procedure contained in paragraph 7.1.1. (Revision) and, if applicable, the procedure contained in paragraph 7.1.2. (Extension).
- 7.1.1. Revision

When particulars recorded in the information folder have changed and the Type Approval Authority considers that the modifications made are unlikely to have an appreciable adverse effect and that in any case the device for means of front and lateral vision still complies with the requirements, the modification shall be designated a "revision".

In such a case, the Type Approval Authority shall issue the revised pages of the information folder as necessary, marking each revised page to show clearly the nature of the modification and the date of re-issue. A consolidated, updated version of the information folder, accompanied by a detailed description of the modification, shall be deemed to meet this requirement.
- 7.1.2. Extension

The modification shall be designated an "extension" if, in addition to the change of the particulars recorded in the information folder;

- (a) Further inspections or tests are required; or
 - (b) Any information on the communication document (with the exception of its attachments) has changed; or
 - (c) Approval to a later series of amendments is requested after its entry into force.
- 7.2. Confirmation or refusal of approval, specifying the alterations shall be communicated by the procedure specified in paragraph 5.3. above to the Parties to the Agreement which apply this Regulation. In addition, the index to the information package, attached to the communication document, shall be amended accordingly to show the date of the most recent revision or extension.
- 7.3. The Type Approval Authority issuing the extension of approval shall assign a series number to each communication form drawn up for such an extension.

8. Conformity of Production

- 8.1. The conformity of production procedure shall comply with those set out in the Agreement, Schedule 1 (E/ECE/324-E/ECE/TRANS/505/Rev.3).
- 8.2. Every device for means of front and lateral vision approved under this Regulation shall be so manufactured as to conform to the type approved by meeting the requirements set out in paragraph 6. above.

9. Penalties for Non-Conformity of Production

- 9.1. The approval granted in respect of a type of device for means of front and lateral vision pursuant to this Regulation may be withdrawn if the requirement laid down in paragraph 8.1. above is not complied with or if the type of device for means of front and lateral vision did not satisfy the requirements prescribed in paragraph 8.2. above.
- 9.2. If a Contracting Party to the Agreement which applies this Regulation withdraws an approval it has previously granted, it shall forthwith so notify the other Contracting Parties applying this Regulation by means of a copy of the communication form bearing at the end, in large letters, the signed and dated annotation "APPROVAL WITHDRAWN".

10. Production Definitively Discontinued

If the holder of the approval completely ceases to manufacture a type of device for means of front and lateral vision approved in accordance with this Regulation, he shall so inform the Type Approval Authority which granted the approval. Upon receiving the relevant communication, the Authority shall inform thereof the other Parties to the Agreement applying this Regulation by means of a copy of the approval form bearing at the end, in large letters, the signed and dated annotation "PRODUCTION DISCONTINUED".

11. Names and Addresses of Technical Services Responsible for Conducting Approval Tests, and of Type Approval Authorities

The Contracting Parties to the Agreement applying this Regulation shall communicate to the United Nations Secretariat the names and addresses of the Technical Services responsible for conducting approval tests and of the Type Approval Authorities which grant approval and to which forms certifying approval or refusal or extension or withdrawal of approval, issued in other countries, are to be sent.

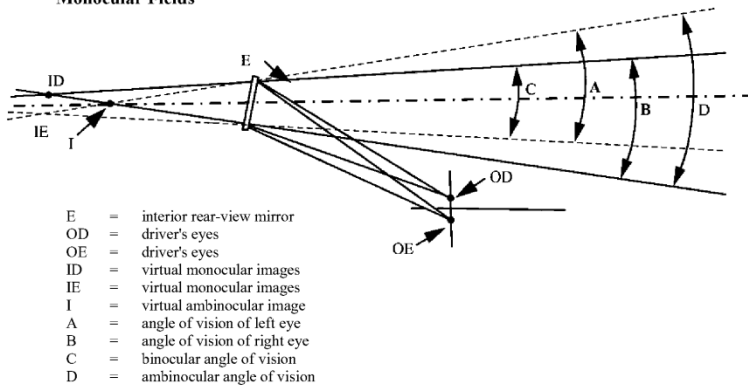
Part II - Vehicle Installation of Means of Front and Lateral Vision or Detection

12. Definitions

For the purpose of this Regulation:

- 12.1. "The driver's ocular points" means two points 65 mm apart and 635 mm vertically above point R of the driver's seat as defined in Annex 8. The straight line joining these points runs perpendicular to the vertical longitudinal median plane of the vehicle. The centre of the segment joining the two ocular points is in a vertical longitudinal plane which shall pass through the centre of the driver's designated seating position, as specified by the vehicle manufacturer.
- 12.2. "Ambinocular vision" means the total field of vision obtained by the superimposition of the monocular fields of the right eye and the left eye (see Figure 1 below).

Figure 1
Monocular Fields



- 12.3. "Type of vehicle as regards to the driver's awareness of vulnerable road users in close-proximity of the front and lateral sides of the vehicle" means motor vehicles which are identical in respect of the following basic features:
- 12.3.1. Type of means of front and lateral vision or detection;
- 12.3.2. The bodywork features which reduce the field of vision;
- 12.3.3. The coordinates of point R (where applicable);

- 12.3.4. The prescribed positions, and type-approval markings of compulsory and (if fitted) optional devices for indirect vision.
- 12.4. "*The ocular reference point*" means the middle point between the driver's ocular points.
- 12.5. "*Type cf means cf front and lateral vision or detection*" means front and lateral side(s) visibility or detection means that do not differ on the following essential characteristics:
 - (a) The type of devices of front and lateral vision or detection;
 - (b) The mean of front and lateral vision or detection;
- 12.6. "*Electronic system*" means a system working depending up on electronic variables like power or voltage or current, and formed of a number of blocks having different input – output relationships connected together.

13. Application for Approval

- 13.1. The application for approval of a vehicle type with regard to the installation of means of front and lateral vision or detection shall be submitted by the vehicle manufacturer or by his duly accredited representative.
- 13.2. A model of information document is shown in Annex 2.
- 13.3. A vehicle representative of the vehicle type to be approved shall be submitted to the Technical Service responsible for conducting the approval tests.
- 13.4. The Type Approval Authority shall verify the existence of satisfactory arrangements for ensuring effective checks on conformity of production before type-approval is granted.
- 13.5. FLVCS shall be provided by the applicant with the following documents:
 - (a) Technical specification of FLVCS;
 - (b) Operator's manual.

14. Approval

- 14.1. If the vehicle type submitted for approval in accordance with paragraph 13. above meets the requirements of paragraph 15. of this Regulation, approval shall be granted.
- 14.2. An approval number shall be assigned to each type approved. Its first two digits (at present 00) shall indicate the series of amendments incorporating the most recent or technical amendments made to the Regulation at the time of issue of the approval. The same Contracting Party shall not assign the same number to another vehicle type.
- 14.3. Notice of approval or of refusal or of extension or withdrawal of approval of a vehicle type pursuant to this Regulation shall be communicated to the Parties to the Agreement which apply this UN Regulation by means of a form conforming to the model in Annex 4 to this UN Regulation.

15. Requirements

- 15.1. General
 - For the purposes of this UN Regulation, the vehicle shall fulfil the following requirements:
 - The vehicle shall be equipped with at least one means of vision or awareness.

Any means using one or several electronic system(s) (e.g. vision camera systems, detection systems), may be activated upon the driver's request.

The combination of means of vision provide a close-proximity front and lateral field of vision as defined in paragraph 15.2. These means shall be selected from:

- (a) Direct vision;
- (b) Devices approved to UN Regulation No. 46, 04 Series of amendments;
- (c) Close-proximity front and lateral view mirror complying with this Regulation; and
- (d) Close-proximity front and lateral view camera system (FLVCS) complying with this Regulation.

The combination of means of awareness shall provide information for field of detection as defined in paragraph 15.3. Possible means are:

These means shall be detection systems complying with this UN Regulation.

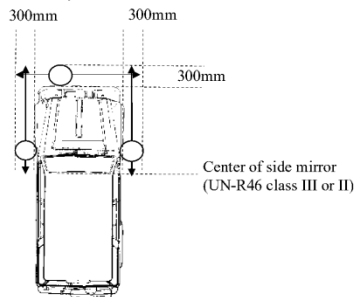
15.2. Close-proximity front and lateral sides field of vision

The field of vision (see Figure 2 below) shall be bounded by the following planes:

- (a) A transverse vertical plane passing through a point 300 mm from the contour of the sides of the vehicle;
- (b) A transverse horizontal plane passing through a point 300 mm from the contour of the front of the vehicle;
- (c) Areas ahead of the centre of the side mirrors on the driver's seat side and the passenger seat side. In the case of the vehicle that equipped with CMS that comply UN Regulation No. 46, 04 Series of amendments, the manufacturer shall consider the same vehicle equipped with side mirrors or to use the centre of Class III or II CMS camera lens instead of the centre of the side mirrors.

The contour shall be defined by the vehicle outside shape projection to the ground that can place the test object defined in Annex 9 of this Regulation (300mm diameter pole). Small outside shape irregularity is not included.

Figure 2
Close-Proximity Front and Lateral Sides View Field of Vision



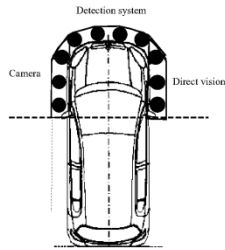
15.2.1. Requirements

When tested under the test method described in Annex 9, the test object shall be revealed.

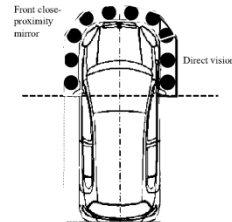
- 15.2.1.1. Via the direct view from ambinocular vision from the adjusted driver's ocular points, or binocular vision from the adjusted ocular reference point calculated by the methods described in Annex 10;
- 15.2.1.2. Via a device of indirect vision (mirror or CMS or other) approved to UN Regulation No. 46; or
- 15.2.1.3. Via a means of indirect vision for front and lateral vision (mirror or camera system or other) complying with this Regulation; or
- 15.2.1.4. Via a device of detection system; or
- 15.2.1.5. Via a combination of the means described in the paragraphs 15.2.1.1 to 15.2.1.4. and declared by the manufacturer.
- 15.2.2. Overlaps of designated areas by different means (see examples in Figure 3) shall be permitted.
- 15.2.3. The manufacturer shall declare to the technical service which means is used for which designated area, so that the technical service can set up the testing equipment accordingly. This shall be recorded in the test report.

Figure 3
Examples of Designated Area of Each Means (Right-Handed Drive Case)

(a) In the case of direct vision, detection system, FLVCS.



(b) In the case of direct vision and mirror.



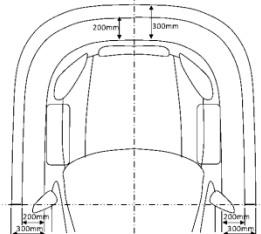
- 15.2.4. Particular requirements for FLVCS and detection system requirements
- 15.2.4.1. It shall be possible to easily activate the FLVCS and the detection system when the gear is in the out of parking or neutral range.
- 15.2.4.2. FLVCS or detection system that cannot cover all field of means for driver awareness at the same time shall easily show area of the driver's interest by the driver's operations.

It shall be possible to easily activate FLVCS or detection system. In case their combination cannot cover the full field of view, they shall show at least the area of driver's interest.

- 15.2.5. The close-proximity front and lateral field of vision shall be established using ambinocular vision from the adjusted driver's ocular points, the eyes being at the "driver's ocular points" as defined in paragraph 12.1. or binocular vision from the adjusted ocular reference point. The fields of vision shall be determined when the vehicle is in running order as defined in the consolidated Resolution on the Construction of vehicles (R.E.3) (ECE/TRANS/WP.29/78/Rev.6, paragraph 2.2.5.4.), plus for M1 and N1 vehicles one front seat passenger (75 kg). When established through windows, the glazing shall have a total light transmission factor in accordance with UN Regulation No. 43, 04 series of amendments, Annex 24.
- 15.2.6. In the case of mirrors consisting of several reflecting surfaces which are either of different curvature or not in the same plane, at least one of the reflecting surfaces shall provide the field of vision and have the dimensions specified for the class to which they belong.
- 15.3. Field of detection
- The field of detection shall be bounded by the following curved surfaces and planes (see Figure 4)
- A vertical curved surface passing through a point 200 mm from the contour of the front of the vehicle;
 - A vertical curved surface passing through a point 300 mm from the contour of the front of the vehicle;
 - Areas ahead of the centre of the side mirrors on the driver's seat side and the passenger seat side between defined surface by (a) and (b). In the case of the vehicle that equipped with CMS that comply UN Regulation No. 46, 04 Series of amendments, the manufacturer shall consider the same vehicle equipped with side mirrors or to use the centre of Class III or II CMS camera lens instead of the centre of the side mirrors.

The contour shall be defined by the vehicle outside shape projection to the ground that can place the test object defined in Annex 9 of this regulation (300mm diameter pole). Small outside shape irregularity is not included.

Figure 4
Field of Detection



- 15.3.1. When tested under the test method described in Annex 12 the requirements for field of detection shall be considered satisfied if the information as defined in paragraph 17.2. is provided to the driver.
- 15.4. Devices for means of front and lateral vision or detection
- 15.4.1. Position
- 15.4.1.1. Devices for means of front and lateral vision or detection shall be so placed that the driver, when sitting on the driving seat in a normal driving position, has a clear view of the road to the front and lateral side(s) of the vehicle.

- 15.4.1.2. In the case of any vehicle, which is in chassis/cab form when the field of vision or detection is measured, the minimum and maximum recommended body widths, heights and lengths shall be stated by the manufacturer and, if necessary, simulated by dummy headboards. All vehicles and devices for means of front and lateral vision or detection configurations taken into consideration during the tests shall be shown on the type-approval certificate for a vehicle with regard to the installation of devices for means of front and lateral vision or detection (see Annex 4). This includes information related to a range of device installation positions (in length, width and height).
- 15.4.1.3. Devices for means of front and lateral vision or detection shall not project beyond the external bodywork of the vehicle substantially more than is necessary to comply with the requirements concerning fields of vision or fields of detection.
- 15.4.1.4. Devices for means of front and lateral side(s) visibility or detection shall be firmly fitted in such a way that the devices do not move so as to significantly change the field of vision or detection as measured or vibrate to an extent which would cause the driver to misinterpret the nature of the image perceived. Wiring of the devices shall not be exposed on the surface of the vehicle.
- 15.5. Blind area exemption
Range of blind area created by the A-pillar or exterior rear-view mirror that satisfies the conditions described in Annex 11 of this Regulation is excluded from the field of vision or detection.

16. Requirements for Front and Lateral View Camera System

- 16.1. System activation
The vehicle shall be equipped with dedicated means for the driver to activate and deactivate the system.
If proper functioning cannot be ensured, the system shall automatically shut off or the driver shall be able to deactivate.
- 16.2. Default view
In default view the FLVCS shall show at least the part of the field of view as described in paragraph 15.2.
The FLVCS must default to the front and lateral side(s) view image the instruction to activate it is given by the driver.
- 16.2.1. Luminance and contrast adjustment
If manual adjustment is provided, the operator's manual shall provide information on how to change the luminance/contrast.
- 16.2.2. Overlay requirements within the required field of vision
Overlays shall display only front and lateral side(s) driving-related visual information or safety-related information. Overlays for other purposes of information in the required field of vision are not allowed.
- 16.3. View adjustment
The front and lateral side(s) view image may change the camera view by the driver's operation or automatically without the driver's operations.
- 16.4. Operating readiness (System availability)
The system deactivated status shall be indicated to the driver (e.g., FLVCS failure by, i.e., warning indication, display information, black screen,

- absence of status indicator). The information for the driver shall be explained in the operator's manual.
- 16.5. Monitor inside the vehicle
The monitor shall be visible without any obstruction from the ocular reference point. Virtual testing is acceptable.
- 16.5.1. Obstruction of the driver's direct view caused by the installation of a device for indirect vision shall be restricted to a minimum.
- 16.6. Vehicles may be equipped with additional devices for indirect vision.
- 16.7. Notwithstanding the provisions above, any other design concept shall be demonstrated to the satisfaction of the Technical Service within the safety concept that is provided in the provisions above.
- 16.8. The effectiveness of the FLVCS shall not be adversely affected by magnetic or electrical fields. This shall be demonstrated by compliance with the technical requirements and transitional provisions of UN Regulation No. 10, 05 series of amendments or any later series of amendments.

17. Requirements for Detection Systems

- 17.1. System activation
The vehicle shall be equipped with dedicated means for the driver to activate and deactivate the system.
If proper functioning cannot be ensured, the system shall automatically shut off or the driver shall be able to deactivate.
- 17.2. Driver interface and information presentation strategy
- 17.2.1. The system shall have at least two kinds of driver information signal selected from acoustic, optical, and haptics.
- 17.2.1.1. As long as one information signal remains active, the driver may de-activate the other information signals.
- 17.2.2. Acoustic information
When an object is detected in the front and lateral side(s) horizontal area as described in paragraph 1.3. of Annex 12. while the instruction to activate was given by the driver, acoustic information shall be given.
- 17.2.3. Duration of signalling
Signalling for an object shall last as long as the object is detected and shall end when the object is no longer detected or when the system is deactivated.
The acoustic signal may be automatically temporarily suspended after a certain time provided that the system remains activated.
- 17.2.4. Optical information
In the case optical information is displayed on common space used for other information (such as meter cluster display or other displays), overlay is allowed and shall comply with the overlay requirements of the camera system in 16.2.2. of this UN Regulation.
- 17.2.5. Operating readiness (System availability)
The system deactivated status shall be indicated to the driver (e.g., Detection system failure by, i.e., warning indication, display information, black screen, absence of status indicator). The information for the driver shall be explained in the operator's manual.

- 17.3 The effectiveness of the detection system shall not be adversely affected by magnetic or electrical fields. This shall be demonstrated by compliance with the technical requirements and transitional provisions of UN Regulation No. 10, 05 series of amendments or any later series of amendments.

18. Modifications of the Vehicle Type and Extension of Approvals

- 18.1. Every modification of the vehicle type shall be notified to the Type Approval Authority which approved the vehicle type. Type Approval Authority shall then either:
- (a) Decide, in consultation with the manufacturer, that a new type approval is to be granted; or
 - (b) Apply the procedure contained in paragraph 18.1.1. (Revision) and, if applicable, the procedure contained in paragraph 18.1.2. (Extension).
- 18.1.1. Revision
- When particulars recorded in the information folder have changed and the Type Approval Authority considers that the modifications made are unlikely to have an appreciable adverse effect, and that in any case the vehicle still complies with the requirements, the modification shall be designated a "revision".
- In such a case, the Type Approval Authority shall issue the revised pages of the information folder as necessary, marking each revised page to show clearly the nature of the modification and the date of re-issue. A consolidated, updated version of the information folder, accompanied by a detailed description of the modification, shall be deemed to meet this requirement.
- 18.1.2. Extension
- The modification shall be designated an "extension" if, in addition to the change of the particulars recorded in the information folder,
- (a) Further inspections or tests are required; or
 - (b) Any information on the communication document (with the exception of its attachments) has changed; or
 - (c) Approval to a later series of amendments is requested after its entry into force.
- 18.2. Confirmation or refusal of approval, specifying the alterations, shall be communicated to the Parties to the Agreement which apply this Regulation by means of a form conforming to the model in Annex 4 to this Regulation. In addition, the index to the information package, attached to the communication document, shall be amended accordingly to show the date of the most recent revision or extension.
- 18.3. The Type Approval Authority issuing the extension of approval shall assign a series number to each communication form drawn up for such an extension.

19. Conformity of Production

- 19.1. The conformity of production procedure shall comply with those set out in the Agreement, Schedule 1, (E/ECE/324-E/ECE/TRANS/505/Rev.3).
- 19.2. Every vehicle approved under this Regulation shall be so manufactured as to conform to the type approved by meeting the requirements set out in paragraph 15., where applicable paragraph 16. and paragraph 17. above.

20. Penalties for Non-Conformity of Protection

20.1. The approval granted in respect of a vehicle type pursuant to this Regulation may be withdrawn if the requirement laid down in paragraph 19.1. above is not complied with or if the vehicle fails to pass the checks prescribed in paragraph 19.2. above.

20.2. If a Party to the Agreement which applies this Regulation withdraws an approval it has previously granted, it shall forthwith so notify the other Contracting Parties applying this Regulation by means of a copy of the approval form bearing at the end, in large letters, the signed and dated annotation "APPROVAL WITHDRAWN".

21. Production Definitively Discontinued

If the holder of the approval completely ceases to manufacture a type of vehicle approved in accordance with this Regulation, he shall so inform the Type Approval Authority which granted the approval. Upon receiving the relevant communication, the Authority shall inform thereof the other Parties to the Agreement applying this Regulation by means of a copy of the approval form bearing at the end, in large letters, the signed and dated annotation "PRODUCTION DISCONTINUED".

22. Names and Addresses of Technical Services Responsible for Conducting Approval Tests, and of Type Approval Authorities

The Parties to the Agreement applying this Regulation shall communicate to the United Nations Secretariat the names and addresses of the Technical Services responsible for conducting approval tests and of the Type Approval Authorities which grant approval and to which forms certifying approval or refusal or extension or withdrawal of approval, issued in other countries, are to be sent.

Annex 1

**Information Document for Type Approval of a Device
for Means of Front and Lateral Vision**

The following information, if applicable, shall be supplied in triplicate and shall include a list of contents.

Any drawings shall be supplied in appropriate scale and in sufficient detail on size A4 paper or on a folder of A4 format.

Photographs, if any, shall show sufficient details.

1. Make (trade name of manufacturer):
2. Type and general commercial description(s):
3. Means of identification of the type, if indicated on the device:
4. Category of vehicle for which the device is intended:
5. Name and address of manufacturer:
6. Location and method of affixing of the approval mark for Close-proximity front and lateral side(s) view mirrors:
- 6.1. Other mean of identification link to the approval mark for Close-proximity front and lateral side(s) view mirrors:
7. Address(es) of assembly plant(s):
8. Mirrors (state for each mirror):
- 8.1. Variant
- 8.2. Drawing(s) for the identification of the mirror:
- 8.3. Details of the method of attachment:

Annex 2

Information Document for Type Approval of a Vehicle to be Installed with a Means of Front and Lateral Vision or Detection

The following information, if applicable, shall be supplied in triplicate and include a list of contents.

Any drawings shall be supplied in appropriate scale and in sufficient detail on size A4 paper or on a folder of A4 format.

Photographs, if any, shall show sufficient details.

General

1. Make (trade name of manufacturer):
2. Type and general commercial description(s):
3. Means of identification of type, if marked on the vehicle:
4. Location of that marking:
5. Category of vehicle:
6. Name and address of manufacturer:
7. Address(es) of assembly plant(s):

General construction characteristics of the vehicle

8. Photograph(s) and/or drawing(s) of a representative vehicle:
9. Driving position: left/right¹
- 9.1. The vehicle is equipped to be driven in right-hand/left hand traffic²
10. Range of vehicle dimensions (overall):
- 10.1 For chassis without bodywork
- 10.1.1. Width:³
- 10.1.1.1. Maximum permissible width:
- 10.1.1.2. Minimum permissible width:
- 10.1.2. Length:
- 10.1.2.1. Maximum permissible length:

¹ Strike out what does not apply.

² Strike out what does not apply.

³ "Overall width" of a vehicle means a dimension which is measured according to ISO standard 612-1978, term No. 6.2. In the case of vehicles of category other than M₁, in addition to the provisions of that standard, when measuring the vehicle width the following devices shall not be taken into account:

- (a) Customs sealing devices and their protection;
- (b) Devices for securing the tarpaulin and their protection;
- (c) Tyre failure tell-tale devices;
- (d) Protruding flexible parts of a spray-suppression system;
- (e) Lighting equipment;
- (f) For buses, access ramps in running order, lifting platforms and similar equipment in running order provided that they do not exceed 10 mm from the side of the vehicle and the corners of the ramps facing forwards or rearwards are rounded to a radius of not less than 5 mm; the edges shall be rounded to a radius of not less than 2.5 mm;
- (g) Devices for indirect vision;
- (h) Tyre-pressure indicators;
- (i) Retractable steps;
- (j) The deflected part of the tyre walls immediately above the point of contact with the ground.

- 10.1.2.2. Minimum permissible length:
- 10.1.3. Height:
- 10.1.3.1. Maximum permissible height:
- 10.1.3.2. Minimum permissible height:
- 10.2. For chassis with bodywork:
- 10.2.1. Width²
- 10.2.2. Length
- 10.2.3. Height
- 11. Bodywork
- 11.1. Means of front and lateral vision or detection: Direct vision, Devices approved to UN Regulation No. 46, Close-proximity front and lateral side(s) view Mirror complying with this Regulation, FLVCS complying with this Regulation, Detection System complying with this Regulation.
- 11.1.1. Direct vision,
- 11.1.1.1. Drawing(s)/photograph(s) showing the direct vision relative to the vehicle structure:
- 11.1.2. Devices approved to UN Regulation No. 46,
- 11.1.2.1. Type approval number(s) of the device(s) approved according UN Regulation No. 46
- 11.1.2.2. Class(es) of mirrors and devices for indirect vision (I, II, III, IV, V, VI)²
- 11.1.2.3. Drawing(s) showing the position(s) of the device(s) relative to the vehicle structure:
- 11.1.3. Close-proximity front and lateral view mirror complying with this Regulation,
- 11.1.3.1. Drawing(s) showing the position(s) of the mirror relative to the vehicle structure:
- 11.1.3.2. Details of the method(s) of attachment including that part of the vehicle structure to which it is attached:
- 11.1.3.3. Optional equipment which may affect the front and lateral field of vision:
- 11.1.3.4. A brief description of the electronic components (if any) of the adjustment device:
- 11.1.4. FLVCS complying with this Regulation.
- 11.1.4.1. Drawing(s)/photograph(s) showing the position(s) of the camera(s) relative to the vehicle structure:
- 11.1.4.2. Drawing(s)/photograph(s) showing the arrangement of the monitor(s) including surrounding interior parts:
- 11.1.4.3. Drawing(s)/photograph(s) showing the driver's view onto the monitor(s):
- 11.1.4.4. Drawing(s)/photograph(s) showing the setup and monitor image of the required field of view:
- 11.1.4.5. Details of the method(s) of attachment of the FLVCS including that part of the vehicle structure to which it is attached:
- 11.1.4.6. Optional equipment which may affect the front and lateral field of vision:
- 11.1.4.7. A brief description of the electronic components (if any) of the adjustment device:
- 11.1.4.8. A technical specification and operator's manual of the FLVCS:

- 11.1.5. Detection System complying with this Regulation.
- 11.1.5.1. Drawing(s)/photograph(s) showing the position(s) of the sensor(s) relative to the vehicle structure:
- 11.1.5.2. Information signal: acoustic, optical, haptics.
- 11.1.5.3. A technical specification and operator's manual of the detection system:
- 12. Device(s) that are presented for approval to this Regulation:

Annex 3

Communication on the Approval or Refusal or Extension or Withdrawal of Approval or Production Definitively Discontinued of a Type of Device (Separate Technical Unit) for Means of Front and Lateral Vision

(Maximum format: A4 (210 x 297 mm))



issued by:

Name of administration:

.....

Concerning:² Approval granted

- Approval extended
- Approval refused
- Approval withdrawn
- Production definitively discontinued

of a type of device (Separate Technical Unit) for means of front and lateral vision pursuant to UN Regulation No. xxx.

Approval No. Extension No.

1. Trade name or mark of device:
2. Manufacturer's name for the type of device:
3. Manufacturer's name and address:
4. If applicable, name and address of manufacturer's representative:
5. Submitted for approval on:
6. Technical Service responsible for conducting approval tests:
7. Date of report issued by that Service
8. Number of reports issued by that Service
9. Brief description
 Identification of the device: mirror, FLVCS, other device²
 Device for Close-proximity front and lateral side(s) view²
10. Position of the approval mark:
11. Reason(s) for extension (if applicable):
12. Approval granted/refused/extended/withdrawn:²
13. Place:.....
14. Date:.....
15. Signature:

¹ Distinguishing number of the country which has granted/extended/refused/withdrawn approval (see approval provisions in the Regulations).

² Strike out what does not apply.

16. The list of documents deposited with the Type Approval Authority which has granted approval is annexed to this communication and may be obtained on request.

Annex 4

Communication on the Approval or Refusal or Extension or Withdrawal of Approval or Production Definitively Discontinued of a Type of Vehicle with Regard to Means of Front and Lateral Vision or Detection

(Maximum format: A4 (210 x 297 mm))



issued by :

Name of administration:

.....

- Concerning:² Approval granted
 Approval extended
 Approval refused
 Approval withdrawn
 Production definitively discontinued

of a type of vehicle with regard to the means of front and lateral vision or detection pursuant to UN Regulation No. xxx.

Approval number: Extension No.:

1. Make (trade name of manufacturer):
2. Type and general commercial description(s)
3. Means of identification of type, if marked on the vehicle:.....
- 3.1. Location of that marking:.....
4. Category of vehicle: (M₁, N₁)²
5. Name and address of manufacturer:.....
6. Address(es) of the production plant(s)
7. Additional information: (where applicable). See appendix
8. Technical Service responsible for carrying out the tests:.....
9. Date of test report:
10. Number of test report:
11. Remarks: (if any). See appendix
12. Place:.....
13. Date:.....
14. Signature:
15. The index to the information package lodged with the Type Approval Authority, which may be obtained on request is attached.

¹ Distinguishing number of the country which has granted/extended/refused/withdrawn approval (see approval provisions in the Regulation).

² Strike out what does not apply.

Annex 4 – Appendix

Appendix to type approval communication form No. concerning the type approval of a vehicle with regard to the means of front and lateral vision or detection pursuant to UN Regulation No. xxx.

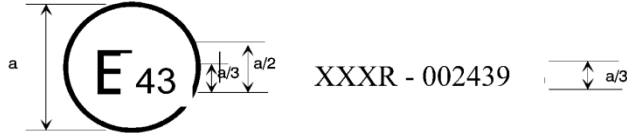
1. Trade name or mark of means of front and lateral vision or detection and component type-approval number (if applicable):
2. Means of front and lateral vision or detection: Direct vision, Devices approved to UN Regulation No. 46, Close-proximity front and lateral view Mirror complying with this Regulation, FLVCS complying with this Regulation, Detection System complying with this Regulation.¹
3. Extension of type approval of the vehicle to cover the following means of front and lateral vision or detection
4. Data for identification of the R point of the driver's seating position:
5. Maximum and minimum bodywork width, length and height in respect of which the means of front and lateral vision or detection have been granted type-approval
6. The following documents, bearing the type approval number shown above, are annexed to this certificate (if applicable):
- (a) Drawings showing the mounting(s) of the devices for means of front and lateral vision or detection.....
- (b) Drawings and plans showing the mounting position(s) and characteristics of the part of the structure where the devices for means of front and lateral vision or detection are mounted.....
- (c) Drawings and plans showing the visual obstructions which affect the front and lateral vision, e.g. the interior fittings, glazing, etc.
7. Remarks: (e.g. valid for right hand/left hand traffic¹)

Annex 5

Arrangement of Approval Mark for a Device for Means of Front and Lateral Vision

(See paragraph 5.4. of the Regulation)

a = 5 millimetre min.



The above approval mark affixed to a device for means of front and lateral vision indicates that the device is a main close-proximity front and lateral view device, which has been approved in Japan (E 43) pursuant to UN Regulation No. xxx and under approval number 002439. The first two digits of the approval number indicate that the approval was granted in accordance with the requirements of UN Regulation No. xxx in its original form.

Note: The approval number and the additional symbol shall be placed close to the circle and either above or below the "E" or to the left or right of that letter. The digits of the approval number shall be on the same side of the "E" and point in the same direction. The additional symbol shall be directly opposite the approval number. The use of Roman numerals as approval numbers shall be avoided so as to prevent any confusion with other symbols.

Annex 6

Test Method to Determine Reflectivity

1. Definitions
 - 1.1. CIE standard illuminate A:¹ Colorimetric illuminate, respecting the full radiator at $T_{68} = 2,855.6$ K.
 - 1.1.2. CIE standard source A¹: Gas-filled tungsten filament lamp operating at a correlated colour temperature of $T_{68} = 2,855.6$ K.
 - 1.1.3. CIE 1931 standard colorimetric observer¹: Receptor of radiation whose colorimetric characteristics correspond to the spectral tristimulus values (see $\bar{x}(\lambda)$, $\bar{y}(\lambda)$, $\bar{z}(\lambda)$ table).
 - 1.1.4. CIE spectral tristimulus values¹: Tristimulus values of the spectral components of an equi energy spectrum in the CIE (XYZ) system.
 - 1.1.5. Photopic vision¹: Vision by the normal eye when it is adapted to levels of luminance of at least several cd/m^2 .
2. Apparatus
 - 2.1. General

The apparatus shall consist of a light source, a holder for the test sample, a receiver unit with a photodetector and an indicating meter (see Figure 1), and means of eliminating the effects of extraneous light.

The receiver may incorporate a light-integrating sphere to facilitate measuring the reflectance of non-flat (convex) mirrors (see Figure 2).
 - 2.2. Spectral characteristics of light source and receiver

The light source shall consist of a CIE standard source A and associated optics to provide a near-collimated light beam. A voltage stabiliser is recommended in order to maintain a fixed lamp voltage during instrument operation.

The receiver shall have a photodetector with a spectral response proportional to the photopic luminosity function of the CIE (1931) standard colorimetric observer (see table). Any other combination of illuminate-filter-receptor giving the overall equivalent of CIE standard illuminate A and photopic vision may be used. When an integrating sphere is used in the receiver, the interior surface of the sphere shall be coated with a matt (diffusive) spectrally non-selective white coating.
 - 2.3. Geometrical conditions

The angle of the incident beam (Θ) should preferably be 0.44 ± 0.09 rad ($25 \pm 5^\circ$) from the perpendicular to the test surface and shall not exceed the upper limit of the tolerance (i.e. 0.53 rad or 30°). The axis of the receptor shall make an angle (θ) with this perpendicular equal to that of the incident beam (see Figure 1). The incident beam upon arrival at the test surface shall have a diameter of not less than 13 mm (0.5 inch). The reflected beam shall not be wider than the sensitive area of the photodetector, shall not cover less than 50 per cent of such area, and as nearly as possible shall cover the same area segment as used during instrument calibration.

When an integrating sphere is used in the receiver section, the sphere shall have a minimum diameter of 127 mm (5 inch). The sample and incident beam

¹ Definitions taken from CIE publication 50 (45), International Electrotechnical Vocabulary, Group 45, Lighting

apertures in the sphere wall shall be of such a size as to admit the entire incident and reflected light beams. The photodetector shall be so located as not to receive direct light from either the incident or the reflected beam.

2.4. Electrical characteristics of the photodetector-indicator unit

The photodetector output as read on the indicating meter shall be a linear function of the light intensity of the photosensitive area. Means (electrical and/or optical) shall be provided to facilitate zeroing and calibration adjustments. Such means shall not affect the linearity or the spectral characteristics of the instrument. The accuracy of the receptor indicator unit shall be within ± 2 per cent of full scale, or ± 10 per cent of the magnitude of the reading, whichever is the smaller.

2.5. Sample holder

The mechanism shall be capable of locating the test sample so that the axes of the source arm and receptor intersect at the reflecting surface. The reflecting surface may lie within or at either face of the mirror sample, depending on whether it is a first surface, second surface or prismatic "flip" type mirror.

3. Procedure

3.1. Direct calibration method

In the direct calibration method, air is used as the reference standard. This method is applicable for those instruments, which are so constructed as to permit calibration at the 100 per cent point by swinging the receiver to a position directly on the axis of the light source (see Figure 1).

It may be desired in some cases (such as when measuring low-reflectivity surfaces) to use an intermediate calibration point (between 0 and 100 per cent on the scale) with this method. In these cases, a neutral density filter of known transmittance shall be inserted in the optical path, and the calibration control shall then be adjusted until the meter reads the percentage transmission of the neutral density filter. This filter shall be removed before reflectivity measurements are performed.

3.2. Indirect calibration method

The indirect calibration method is applicable in the case of instruments with fixed source and receiver geometry. A properly calibrated and maintained reflectance standard is required. This reference standard should preferably be a flat mirror with a reflectance value as near as possible to that of the test samples.

3.3. Flat mirror measurement

The reflectance of flat mirror samples can be measured on instruments employing either the direct or the indirect calibration method. The reflectance value is read directly from the indicating meter.

3.4. Non-flat (convex) mirror measurement

Measurement of the reflectance of non-flat (convex) mirrors requires the use of instruments which incorporate an integrating sphere in the receiver unit (see Figure 2). If the instrument-indicating meter indicates n_x divisions with a standard mirror of E per cent reflectance, then, with a mirror of unknown reflectance, n_e divisions will correspond to a reflectance of X per cent, in accordance with the formula:

$$X = E \frac{n_x}{n_e}$$

Figure 1
Generalised Reflectometer Showing Experimental Set-Ups for the Two Calibration Methods

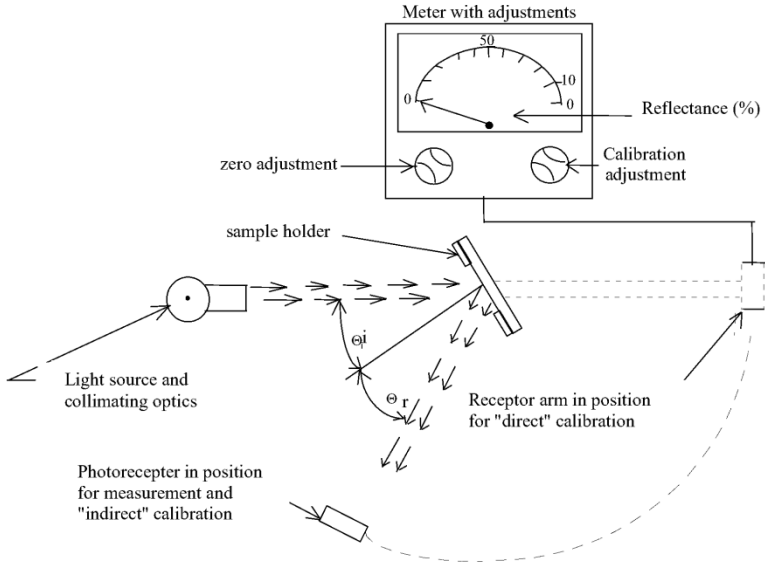
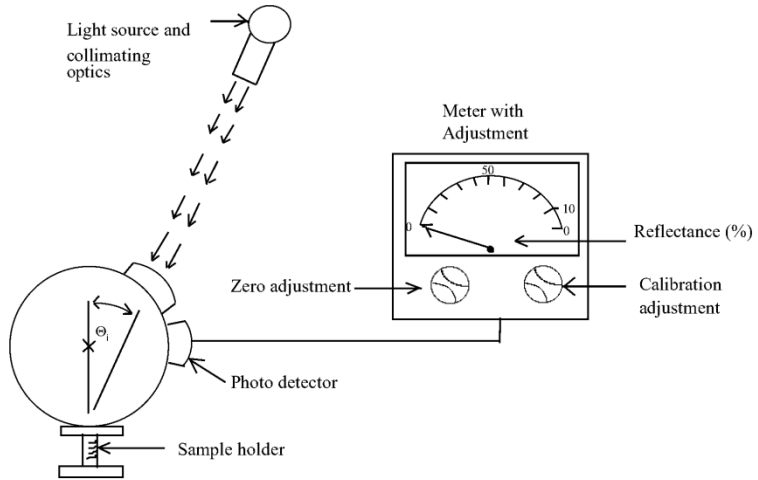


Figure 2
Generalised Reflectometer, Incorporating an Integrating Sphere in the Receiver



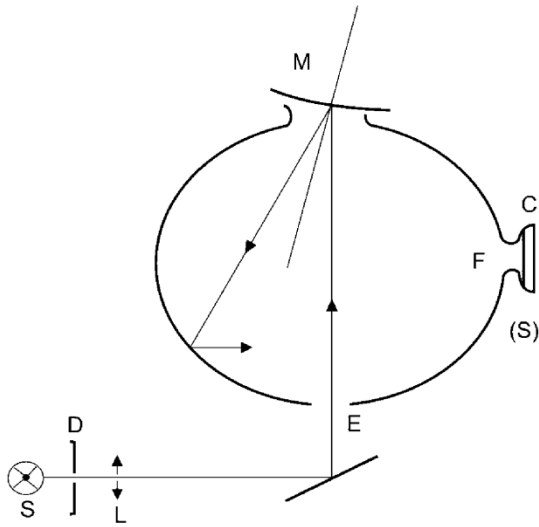
4. Spectral tristimulus values for the CIE 1931 standard colorimetric observer¹
This table is taken from CIE publication 50 (45) (1970)

λ nm	$\bar{x}(\lambda)$	$\bar{y}(\lambda)$	$\bar{z}(\lambda)$
380	0.001 4	0.000 0	0.006 5
390	0.004 2	0.000 1	0.020 1
400	0.014 3	0.000 4	0.067 9
410	0.043 5	0.001 2	0.207 4
420	0.134 4	0.004 0	0.645 6
430	0.283 9	0.011 6	1.385 6
440	0.348 3	0.023 0	1.747 1
450	0.336 2	0.038 0	1.772 1
460	0.290 8	0.060 0	1.669 2
470	0.195 4	0.091 0	1.287 6
480	0.095 6	0.139 0	0.813 0
490	0.032 0	0.208 0	0.465 2
500	0.004 9	0.323 0	0.272 0
510	0.009 3	0.503 0	0.158 2
520	0.063 3	0.710 0	0.078 2
530	0.165 5	0.862 0	0.042 2
540	0.290 4	0.954 0	0.020 3
550	0.433 4	0.995 0	0.008 7
560	0.594 5	0.995 0	0.003 9
570	0.762 1	0.952 0	0.002 1
580	0.916 3	0.870 0	0.001 7
590	1.026 3	0.757 0	0.001 1
600	1.062 2	0.631 0	0.000 8
610	1.002 6	0.503 0	0.000 3
620	0.854,4	0.381 0	0.000 2
630	0.642 4	0.265 0	0.000 0
640	0.447 9	0.175 0	0.000 0
650	0.283 5	0,107 0	0.000 0
660	0.164 9	0.061 0	0.000 0
670	0.087 4	0,032 0	0.000 0
680	0.046 8	0.017 0	0.000 0
690	0.22 7	0,008 2	0.000 0
700	0.011 4	0.004 1	0.000 0
710	0.005 8	0.002 1	0.000 0
720	0.02 9	0.001 0	0.000 0
730	0.001 4	0.000 5	0.000 0
740	0.000 7	0.000 2 (*)	0.000 0
750	0.000 3	0.000 1	0.000 0
760	0.000 2	0.000 1	0.000 0
770	0.000 1	0.000 0	0.000 0
780	0.000 0	0.000 0	0.000 0

(*) Changed in 1966 (from 3 to 2)

¹ Abridged table. The values of $\bar{y}(\lambda) = V(\lambda)$ are rounded off to four decimal places.

Figure 3
 Example of a Device for Measuring the Reflection Factor of Spherical Mirrors



- | | | |
|-----|---|-----------------------|
| C | = | Receiver |
| D | = | Diaphragm |
| E | = | Window of entry |
| F | = | Window of measurement |
| L | = | Lens |
| M | = | Object window |
| S | = | Light source |
| (S) | = | Integrating sphere |

Annex 7

Procedure to Determine the Radius of Curvature "r" of the Reflective Surface of a Mirror

1. Measurement
 - 1.1. Equipment

A "spherometer" similar to the one described in Figure 1 of this annex having the indicated distances between the tracing pin of the dial gauge and the fixed legs of the bar is used.
 - 1.2. Measuring points
 - 1.2.1. The principal radii of curvature shall be measured at three points situated as close as possible to positions at one-third, one-half and two-thirds of the distance along the arc of the reflecting surface passing through the centre of this surface and parallel to segment b, or of the arc passing through the centre of the reflecting surface which is perpendicular to it if this arc is the longer.
 - 1.2.2. Where, owing to the size of the reflecting surface, it is impossible to obtain measurements in the directions defined in paragraph 2.1.2.2. of this Regulation, the Technical Services responsible for the tests may take measurements at the said point in two perpendicular directions as close as possible to those prescribed above.
2. Calculation of the radius of curvature "r"

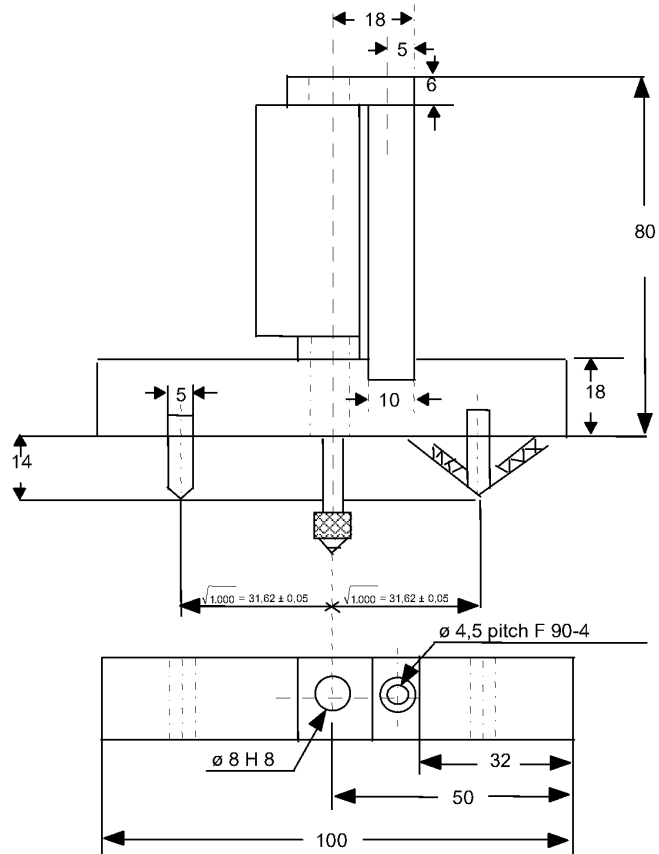
"r" expressed in mm is calculated from the formula:

$$r = \frac{r_p1 + r_p2 + r_p3}{3}$$

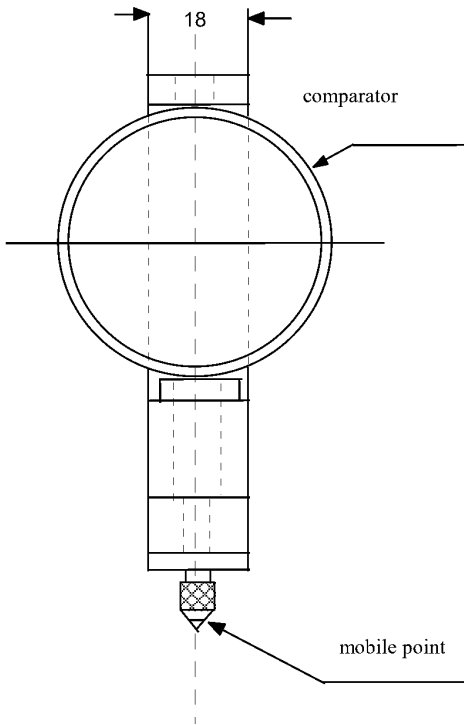
Where:

- r_{p1} = the radius of curvature at the first measuring point,
 r_{p2} = the radius of curvature at the second measuring point,
 r_{p3} = the radius of curvature at the third measuring point.

Figure 1
Spherometer



(all dimensions in millimetres)



Annex 8

Procedure to Determine the "H" Point and the Actual Torso Angle for Seat Positions in Motor Vehicles¹

Appendix 1 - Description of the Three-Dimensional "H" Point Machine (3-D H Machine)¹

Appendix 2 - Three-Dimensional Reference System¹

Appendix 3 - Reference Data for the Seat Positions¹

Annex 9

Test Methods for Close-Proximity Front and Lateral Field of Vision

This method shall be applied in the area that is designated by the manufacturer as covering direct or indirect (mirrors or FLVCS) means.

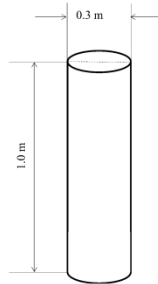
1. Field of vision

The requirements of field of vision defined in paragraphs 15.2. of this Regulation can be tested under the conditions described in this Annex.

1.1. Test objects

Each test object shall be a right circular cylinder that is 1.0 m high and 0.3 m in external diameter. See figure 1.

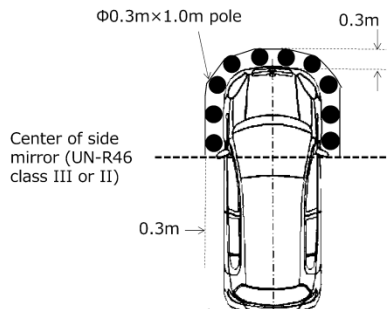
Figure 1
Test Object



1.2. Test object locations and orientations

The test object shall be in contact with the vehicle's front and lateral side from the centre of passenger side mirror to driver's side mirror shall be seen in the close-proximity front and lateral view field of vision. In the case of the vehicle that equipped with CMS that comply UN Regulation No. 46, 04 Series of amendments, the manufacturer shall consider the same vehicle equipped with side mirrors or to use centres of Class II CMS camera lens instead of the centres of the side mirrors.

Figure 2
Test Object Locations



- 1.3 Test conditions
- 1.3.1 Lighting condition for FLVCS.

The ambient illumination conditions in which testing is conducted consists of light that is evenly distributed from above and is at an intensity of between 7,000 lux and 10,000 lux, as measured at the centre of the exterior surface of the vehicle's roof.

At the request of the manufacturer, the test may be carried out at lower ambient illumination intensity conditions.
- 1.3.2 Temperature for FLVCS.

The temperature inside the vehicle during the test shall be is any temperature between 15 ° C and 25 °C.
- 1.3.3 Vehicle conditions.
- 1.3.3.1 Tyres.

The vehicle's tyres shall be set to the vehicle manufacturer's recommended cold inflation pressure.
- 1.3.3.2 Vehicle load.

The vehicle is in running order as defined in the Consolidated Resolution on the Construction of vehicles (R.E.3) (ECE/TRANS/WP.29/78/Rev.6, paragraph 2.2.5.4., plus for M₁ and N₁ vehicles one front seat passenger (75 kg).
- 1.3.3.3 Adjustable suspension.

If the vehicle is equipped with adjustable suspension system, it shall be set at worst condition.
- 1.4 Test procedure.

The vision of each pole shall be tested by sweeping through the pole in contact with the vehicle's front and side from at the centre of passenger side mirror to driver's side mirror.

Annex 10

Adjustment Methods for the Driver's Ocular Points

1. Back angle compensation

In testing according to paragraph 15.2.1.1., driver's ocular points, or the ocular reference point shall be adjusted in the forward/rearward or upward/downward direction by a specific compensation distance defined according to the respective back angle of the test vehicle, as shown in Table 1.

Table 1
Back angle compensation

Back angle [°]	Compensation distance		Back angle [°]	Compensation distance	
	Forward/rearward [mm]	Upward/downward [mm]		Forward/rearward [mm]	Upward/downward [mm]
5	-186	28	23	-18	5
6	-177	27	24	-9	3
7	-167	27	25	0	0
8	-157	27	26	9	-3
9	-147	26	27	17	-5
10	-137	25	28	26	-8
11	-128	24	29	34	-11
12	-118	23	30	43	-14
13	-109	22	31	51	-18
14	-99	21	32	59	-21
15	-90	20	33	67	-24
16	-81	18	34	76	-28
17	-72	17	35	84	-32
18	-62	15	36	92	-35
19	-53	13	37	100	-39
20	-44	11	38	108	-43
21	-35	9	39	115	-48
22	-26	7	40	123	-52

Note: Symbols used in the table: Forward/rearward direction (-: forward, +: rearward); Upward/downward direction (-: downward, +: upward)

2. Movable range compensation for the passenger's side

In testing according to paragraph 15.2.1.1., as compensation of the driver's ocular points (binocular) or the ocular reference point of the driver moving the body in forward/rearward, lateral, or upward/downward directions to check the vehicle's surroundings at the start of the vehicle, measurements may be taken with the driver's ocular points adjusted in the forward/rearward, lateral, or upward/downward directions, respectively, based on the driver's ocular points or the ocular reference point, provided that it is within the range of compensation distances listed in each column of Table 2.

Adjusted driver's ocular points or the ocular reference point shall be located in a three-dimensional space consisting of four points as follows, the driver's ocular points defined in 12.1. or the ocular reference point defined in 12.2. of this Regulation, and driver's ocular points or the ocular reference point compensation for the stretching defined in table 2.

Table 2
Range of driver's ocular points compensation for the passenger's side stretching

<i>Measures in [mm]</i>	<i>Forward/rearward compensation distance (+: rearward, -: forwara)</i>	<i>Lateral compensation distance (+: right, -: left)</i>	<i>Upward/downward compensation distance (+: upward, -: downward)</i>
Upward stretching ocular points	0	-10	40
Forward stretching ocular points	-140	-15	10
Lateral stretching ocular points	30	-110	15

Note: In the table, for the left-hand drive vehicles, "right" shall be read as "left", and "left" shall be read as "right".

3. Looking out compensation for the driver's side

In testing according to paragraph 15.2.1.1., as compensation of the driver's ocular points (binocular) or the ocular reference point of the driver moving the body for looking out from side window to check vulnerable road users around the front side corner, measurements may be taken with the driver's ocular points or the ocular reference point adjusted in the forward/rearward, lateral, or upward/downward directions, respectively, based on the driver's ocular points, provided that it is within the range of compensation distances listed in each column of Table 3.

Adjusted driver's ocular points or the ocular reference point shall be located in a three-dimensional space consisting of four points as follows, the driver's ocular points defined in 12.1. or the ocular reference point defined in 12.2. of this Regulation, and driver's ocular points or the ocular reference point compensation for the stretching defined in table 3.

Table 3
Range of Driver's Ocular Points Compensation for the Driver's Side Stretching

<i>Measures in [mm]</i>	<i>Forward/rearward compensation distance (+: rearward, -: forwara)</i>	<i>Lateral compensation distance (+: right, -: left)</i>	<i>Upward/downward compensation distance (+: upward, -: downward)</i>
Looking out with stretching upward side of the driver	-100	300	0
Looking out with stretching forward side of the driver	-200	250	-50
Looking out as much as possible for outer side of the driver	-50	350	-50

Note: In the table, for the left-hand drive vehicles, "right" shall be read as "left", and "left" shall be read as "right".

Annex 11

Range of Blind Area Created by the A-Pillar or Exterior Front and Lateral Side View Mirror

1. Definitions
 - 1.1. "*Blind area created by the exterior rear-view mirror*" means a blind area created by the vehicle structure that retains or protects the exterior rear-view mirror and exterior rear-view mirror.
 - 1.2. "*Blind area created by the A-pillar*" means a blind area created by the vehicle structure that is located forward of the ocular reference point and above a plane parallel to the vehicle centre and passing through the two points consisting of the ocular reference point and the lowermost point of the side glazing's transparent area where the ground surface can be viewed through the side glazing when the left side of the vehicle is checked from the ocular reference point (point a) (Figure 1). However, a window provided in a part of the lower area of the door is not considered as the side glazing.

For the left-hand drive vehicles, "left" shall be read as "right".

2. Range of the blind area

The range of the blind area created by the A-pillar or exterior rear-view mirror shall be an area that meets the following formula. In this case, if there are more than one blind area, each blind area shall meet the conditions of the formula.

$$X \leq 0.292 \cdot L - 0.203$$

Where:

- X (m): is the limit of the excluded area, i.e. the distance between the centre of a cylinder in contact with the front edge of the blind area and the centre of a cylinder in contact with its rear edge.
- L (m): is located inside the blind area created by the A-pillar or exterior rear-view mirror. Distance between the rear edge of a cylinder in contact with the rear edge of the blind area and the front edge of the rear wheel.

(See Figure 2).

Figure 1
Figure title
 (right-handed drive case)

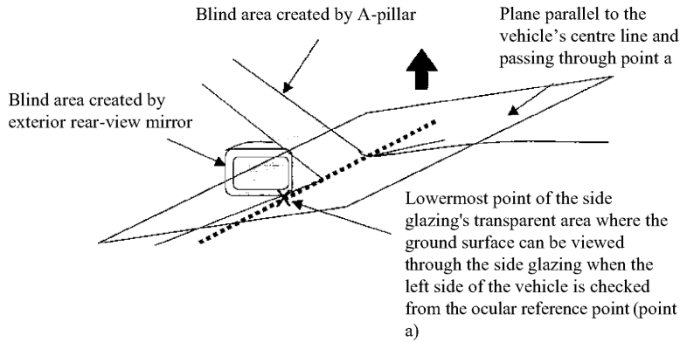
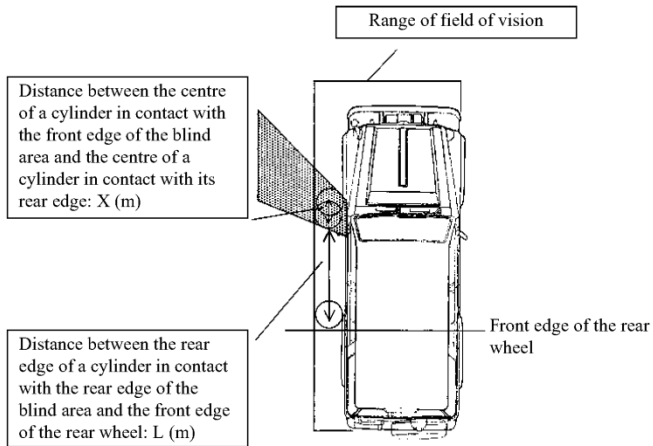


Figure 2
Figure Title
 (right-handed drive case)



Annex 12

Test Methods for Detection Systems

1. Front and lateral horizontal area detection

Detection system shall fulfil the test as specified in paragraph 1.3.1. in this Annex.
- 1.1. Test conditions

The test object shall be as per paragraph 7.1. of ISO 17386:2010. During testing, the wind speed shall not exceed 1 m/s. The temperature shall be 20 ± 5 °C and the humidity shall be 60 ± 25 per cent. There shall be no rain or snow. The test shall be performed on a flat, dry asphalt or concrete surface. The test shall not be affected by the reflection of sound waves or electromagnetic waves from any walls, auxiliary testing equipment or any other objects in the environment.
- 1.2. Test preparation

One test object shall be used. The positions of the test object are selected by the manufacturer to ensure the detection of the test object. The test object shall be located in the detectable grids within the front and lateral horizontal area in 1.3.1. of this annex. The test vehicle in the initial state shall be in the parking condition. Here, the parking condition means that the steering is in the neutral position, and the P (park) position is selected in the case of vehicles equipped with automatic transmissions, whereas it means the neutral gear being selected and the parking brake being engaged in the case of vehicles equipped with manual transmissions.

When testing, a person (of 75 kg in weight) shall sit in the driver's seat and, keeping the vehicle in the stationary condition, perform an operation that activates the detection system as described by the manufacturer or in the owner's manual.
- 1.3. Test method
- 1.3.1. Field of detection

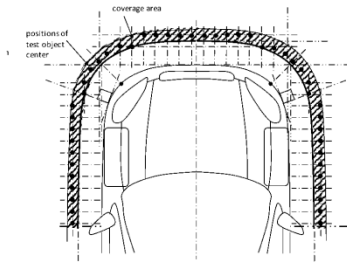
The field of detection shall be divided into three areas: front, corners, and sides. The test methods for the front, corners, and sides shall be specified in paragraphs 1.3.1.1., 1.3.1.2., and 1.3.1.3.

The test shall be conducted with the test object in the field of detection and shall be conducted until the first grid that exceeds the field of detection (See Figure 1).

The test shall be conducted with test objects installed at intervals of 100 mm, but for the purpose of reducing the number of measurements, the test may be conducted with the test objects installed at intervals of 200 mm, and if there is an undetected grid, the test shall be conducted for both neighbouring grids.

For overlapping areas between the grid of test points specified in paragraph 1.3.1.2. and the grid of test points specified in paragraph 1.3.1.1. or 1.3.1.3., either method can be used.

Figure 1
Field of detection



1.3.1.1. Field of detection of front area

The field of detection of the front area is shown in Figure 2.

W_f is equal to the vehicle width measured along the front axle.

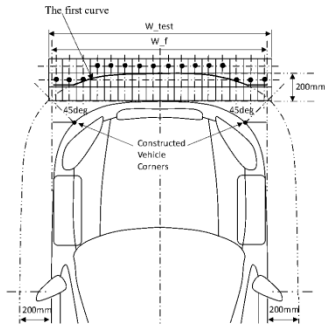
W_{test} is equal to half of W_f rounded to the nearest 100 mm and then multiplied by two.

Set a front area of W_{test} in the vehicle width direction and 300 mm in the vehicle forward direction, symmetrically around the vehicle's central axis based on the front end of the vehicle and draw a 100 mm x 100 mm grid on the floor of the area.

Draw a curve that follow the shape of the vehicle contour (vertical projection on the ground as shown in Figure 2) between the two constructed vehicle corners. The curve shall be set at 200mm forward of the vehicle contour. For the part outside of the constructed vehicle corners, the curve is completed by straight sections perpendicular to the vehicle's central axis to cover the whole vehicle width (W_{test}). For the construction of corners see paragraph 1.3.1.2. below. Place the test object centre on the grid intersection which is nearest and in the forward direction of the curve, in each grid row parallel to the vehicle's central axis.

The first curve shall follow the front bumper shape in the top view of the vehicle for the part between the two virtual corners of the vehicle but shall be a straight line orthogonal to the forward direction for the part outside the virtual corners.

Figure 2
Field of detection of front area



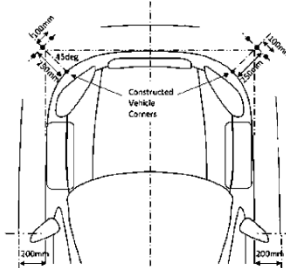
1.3.1.2. Field of detection of corner areas

The field of detection of the corner areas is shown in Figure 3.

- (a) Draw a rectangular box close to the vehicle contours;
- (b) Draw a line from each corner of the box to the vehicle at an angle of 45°;
- (c) The intersections of these lines and the vehicle contours are defined as the vehicle corners;
- (d) Test each of the test objects placed at the following points: one 250 mm away from one vehicle corner along a line that rises at a 45° angle, and two others, each 100 mm away from the point on both sides along a line that orthogonally crosses the 45° line.

Repeat the same for the other corner.

Figure 3
Field of detection of corner areas



1.3.1.3. Field of detection of side areas

The field of detection of the side areas is shown in Figure 4.

L_f is equal to the distance from the centre of the side mirror to the front end of the vehicle, measured parallel to the vehicle's central axis.

L_{test} is the value of L_f rounded to the nearest 100 mm.

Set a rectangular side area of L_{test} in the front-rear direction and 300 mm in the vehicle width direction, parallel to and symmetrical around the vehicle's

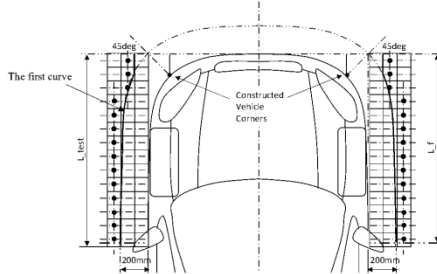
central axis based on the front end of the vehicle and draw a 100 mm x 100 mm grid on the floor of the area.

Draw a curve that follow the shape of the vehicle contour (vertical projection on the ground as shown in Figure 4). The curve has a distance of 200 mm to the vehicle contour. For the part outside of the constructed vehicle corners, the curve is completed by straight sections perpendicular to the vehicle's central axis to cover the whole vehicle width (W_{test}).

Place the test object centre on the grid intersection which is nearest and in the forward direction of the curve, in each grid row parallel to the vehicle's central axis.

The first curve shall be a straight line parallel to the forward direction for the part in front of the virtual corners, while the part behind the virtual corners shall follow the shapes of the vehicle sides and front bumper in the top view of the vehicle.

Figure 4
Field of detection of side areas



1.3.2. Detection test

In the field of detection, there shall be no more than two consecutive undetected grids.

When the warning is provided for more than five seconds continuously, it is judged that the test object is detected. The detection test shall be performed one time for each test object. However, if necessary, according to the agreement of the Technical Service and manufacturer, it can be judged that the test object is detected in case warnings are provided in four out of five tests."

[TEXT IN FRENCH – TEXTE EN FRANÇAIS]

Commission économique pour l'Europe

Comité des transports intérieurs

Forum mondial de l'harmonisation des Règlements concernant les véhicules

188^e session

Genève, 14-16 novembre 2022

Point 4.13.1 de l'ordre du jour provisoire

Accord de 1958 :

**Examen de propositions de nouveaux Règlements ONU soumises
par les groupes de travail subsidiaires du Forum mondial**

Proposition de nouveau Règlement ONU sur les usagers de la route vulnérables à proximité immédiate de l'avant et des côtés du véhicule

Communication du Groupe de travail des dispositions générales de sécurité*

Le texte ci-après, adopté par le Groupe de travail des dispositions générales de sécurité (GRSG) à sa 123^e session (ECE/TRANS/WP.29/GRSG/102, par. 25), est fondé sur le document ECE/TRANS/WP.29/GRSG/2022/6, tel que modifié par l'annexe VI du rapport. Il est soumis au Forum mondial de l'harmonisation des Règlements concernant les véhicules (WP.29) et au Comité d'administration de l'Accord de 1958 (AC.1) pour examen à leurs sessions de novembre 2022.

* Conformément au programme de travail du Comité des transports intérieurs pour 2022 tel qu'il figure dans le projet de budget-programme pour 2022 (A/76/6 (Sect. 20), par. 20.76), le Forum mondial a pour mission d'élaborer, d'harmoniser et de mettre à jour les Règlements ONU en vue d'améliorer les caractéristiques fonctionnelles des véhicules. Le présent document est soumis en vertu de ce mandat.

Proposition de nouveau Règlement ONU sur les usagers de la route vulnérables à proximité immédiate de l'avant et des côtés du véhicule, lire :

« **Règlement ONU n° XXX**¹ »

Prescriptions uniformes relatives à l'homologation des dispositifs et des véhicules à moteur en ce qui concerne la perception par le conducteur de la présence d'usagers de la route vulnérables à proximité immédiate de l'avant et des côtés du véhicule

Table des matières

	<i>Page**</i>
0. Introduction	
1. Domaine d'application	
Partie I – Dispositifs de vision ou de détection frontale et latérale	
2. Définitions.....	
3. Demande d'homologation	
4. Marques.....	
5. Homologation.....	
6. Prescriptions.....	
7. Modification du type de dispositif de vision frontale et latérale et extension de l'homologation	
8. Conformité de la production	
9. Sanctions pour non-conformité de la production	
10. Arrêt définitif de la production.....	
11. Noms et adresses des services techniques chargés des essais d'homologation et des autorités d'homologation de type.....	
Partie II – Montage des dispositifs de vision ou de détection frontale et latérale	
12. Définitions.....	
13. Demande d'homologation	
14. Homologation.....	
15. Prescriptions.....	
16. Prescriptions relatives aux systèmes à caméra pour vision frontale et latérale	
17. Prescriptions relatives aux systèmes de détection	
18. Modification du type de véhicule et extension de l'homologation.....	
19. Conformité de la production	
20. Sanctions pour non-conformité de la production	
21. Arrêt définitif de la production.....	

¹ Le numéro du présent Règlement ONU sera connu au moment de son entrée en vigueur. [XXX] sera remplacé par le numéro du Règlement le moment venu.

** Les numéros de page seront ajoutés ultérieurement.

22. Noms et adresses des services techniques chargés des essais d'homologation et des autorités d'homologation de type.....

Annexes

1. Fiche de renseignements relative à l'homologation de type d'un dispositif de vision frontale et latérale
2. Fiche de renseignements relative à l'homologation de type d'un véhicule en ce qui concerne le montage d'un dispositif de vision frontale et latérale
3. Communication concernant la délivrance, l'extension, le refus ou le retrait d'une homologation ou l'arrêt définitif de la production d'un type de dispositif de vision frontale et latérale (entité technique distincte).....
4. Communication concernant la délivrance, l'extension, le refus ou le retrait d'une homologation ou l'arrêt définitif de la production d'un type de véhicule en ce qui concerne les dispositifs de vision frontale et latérale
- Appendice
5. Exemple de marque d'homologation d'un dispositif de vision frontale et latérale
6. Méthode d'essai pour la détermination du facteur de réflexion
7. Procédure de détermination du rayon de courbure "r" de la surface réfléchissante du rétroviseur.....
8. Procédure de détermination du point H et de l'angle réel de torse pour les places assises des véhicules automobiles.....
- Appendice 1 – Description de la machine tridimensionnelle point H (machine 3D-H).....
- Appendice 2 – Système de référence à trois dimensions
- Appendice 3 – Paramètres des places assises.....
9. Méthodes d'essai concernant le champ de vision frontal et latéral à faible distance.....
10. Méthodes de correction de la position des points oculaires du conducteur
11. Étendue de l'angle mort produit par le montant avant ou le rétroviseur extérieur
12. Méthodes d'essai des systèmes de détection

0. Introduction (pour information)

Le présent Règlement a pour objet d'énoncer les prescriptions applicables aux dispositifs de vision et de détection en ce qui concerne la perception par le conducteur de la présence d'usagers de la route vulnérables à l'avant et sur les côtés du véhicule avant que celui-ci ne démarre à partir de l'arrêt. Si le Règlement ONU n° 46 prévoit des dispositions applicables aux systèmes de vision indirecte des véhicules, le présent Règlement énonce des prescriptions applicables aux dispositifs de vision et de détection (dispositifs de perception) surveillant l'avant et les côtés du véhicule avant que celui-ci ne démarre depuis l'arrêt. Il se peut donc que certains dispositifs conformes au Règlement ONU n° 46 soient aussi conformes au présent Règlement.

1. Domaine d'application

- 1.1 Le présent Règlement s'applique :
- 1.1.1 À l'homologation des dispositifs de vision frontale et latérale définis dans la Partie I, destinés à être installés sur des véhicules des catégories M₁ et N₁.
- 1.1.2 À l'homologation du montage sur des véhicules de dispositifs de vision ou de détection frontale et latérale définis dans la partie II, destinés à être installés sur des véhicules des catégories M₁ et N₁.
- 1.1.3 À la demande du constructeur, les Parties contractantes peuvent accorder des homologations en vertu des Parties I et II à des véhicules d'autres catégories et à des dispositifs destinés à être montés sur ces véhicules.
- 1.1.4 Le présent Règlement ne s'applique pas aux systèmes destinés principalement à faciliter les manœuvres de stationnement du véhicule.
- 1.2 Les véhicules pour lesquels l'installation de dispositifs de vision ou de détection frontale et latérale serait incompatible avec leur utilisation sur route peuvent être partiellement ou totalement dispensés des prescriptions du présent Règlement, sous réserve de la décision de l'autorité d'homologation de type.
- 1.3 Si un véhicule est équipé de plusieurs dispositifs, le constructeur doit préciser celui qui satisfait aux prescriptions du présent Règlement.

Partie I – Dispositifs de vision ou de détection frontale et latérale

2. Définitions

Aux fins du présent Règlement, on entend par :

- 2.1 “*Dispositif de vision ou de détection frontale et latérale*”, un dispositif destiné à donner au conducteur une bonne visibilité de l'avant et des côtés du véhicule dans les limites des champs de vision définis au paragraphe 15.2, ou destiné à détecter des objets dans les limites du champ de détection défini au paragraphe 15.3.
- Il peut s'agir de rétroviseurs classiques, de systèmes à caméra pour vision frontale et latérale, de systèmes de détection ou de tout autre dispositif ayant la même finalité.
- 2.1.1 “*Dispositif de vision frontale et latérale à faible distance*”, un dispositif qui procure un champ de vision tel que défini au paragraphe 15.2 du présent Règlement.

- 2.1.2 “Dispositif de vision frontale et latérale”, un dispositif qui fournit des informations sur ce qui se trouve dans les limites des champs de vision définis au paragraphe 15.2.
- 2.1.2.1 “Système à caméra pour vision frontale et latérale”, tout système à caméra destiné à restituer une image du monde extérieur et à donner une bonne visibilité de l’avant et des côtés du véhicule dans les limites des champs de vision définis au paragraphe 15.2.
- 2.1.2.1.1 “Contraste de luminance”, le rapport entre la luminance d’un objet et celle de son arrière-plan ou de son environnement immédiats, qui permet de distinguer l’objet de cet arrière-plan ou environnement. Cette définition est conforme à la définition donnée dans la norme ISO 9241-302:2008.
- 2.1.2.1.2 “Résolution”, le plus petit élément qu’un système de perception est capable de détecter et de distinguer de son environnement. La résolution de l’œil humain est appelée “acuité visuelle”.
- 2.1.2.1.3 “Spectre visible”, la plage de longueurs d’onde correspondant au rayonnement lumineux perceptible par l’œil humain (380-780 nm).
- 2.1.2.2 “Rétroiseur pour vision frontale et latérale à faible distance”, tout dispositif, à l’exclusion des dispositifs tels que les périscopes, destiné à donner, au moyen d’une surface réfléchissante, une bonne visibilité de l’avant et des côtés du véhicule dans les limites des champs de vision définis au paragraphe 2.1.4 et décrits au paragraphe 15.2.
- 2.1.2.2.1 “ r ”, le rayon de courbure moyen de la surface réfléchissante, obtenu selon la méthode décrite à l’annexe 7.
- 2.1.2.2.2 “Rayons de courbure principaux en un point de la surface réfléchissante (r_1 et r_1')”, les valeurs obtenues avec l’appareil décrit à l’annexe 7, mesurées respectivement sur l’arc de la surface réfléchissante passant par le centre de cette surface parallèle au segment b tel que défini au paragraphe 6.1.2.1.2 du présent Règlement et sur l’arc perpendiculaire à ce segment.
- 2.1.2.2.3 “Rayon de courbure en un point de la surface réfléchissante (r_p)”, la moyenne arithmétique des rayons de courbure principaux r_1 et r_1' , à savoir :
- $$r_p = \frac{r_1 + r_1'}{2}$$
- 2.1.2.2.4 “Surface sphérique”, une surface dont le rayon est constant dans toutes les directions.
- 2.1.2.2.5 “Surface asphérique”, une surface dont le rayon est constant dans un seul plan.
- 2.1.2.2.6 “Rétroiseur asphérique”, un rétroiseur composé d’une portion sphérique et d’une portion asphérique, sur lequel la transition entre la portion sphérique et la portion asphérique de la surface réfléchissante doit être marquée. Dans le système de coordonnées (x,y), la relation entre le rayon de courbure de l’axe principal du rétroiseur et le rayon de la calotte sphérique primaire est donnée par la formule :
- $$y = R - \sqrt{(R^2 - x^2) + k(x - a)^3}$$
- où :
- R est le rayon nominal de la partie sphérique ;
- k est la constante de variation de la courbure ;
- a est la constante de sphéricité de la calotte primaire.
- 2.1.2.2.7 “Centre de la surface réfléchissante”, le centre de la zone visible de la surface réfléchissante.

- 2.1.2.2.8 “*Rayon de courbure des parties constitutives du rétroviseur*”, le rayon “c” de l’arc du cercle qui se rapproche le plus de la courbure de la partie considérée.
- 2.1.2.3 “*Autre dispositif de vision frontale et latérale*”, un dispositif tel que défini aux paragraphes 2.1.2.1. à 2.1.2.2.8. ci-dessus, avec lequel le champ de vision n’est pas obtenu au moyen d’un rétroviseur ou d’un système à caméra pour vision frontale et latérale.
- 2.1.3 “*Accessoire d’essai*”, un objet cylindrique de 1 m de haut et de 0,3 m de diamètre.
- 2.1.4 “*Champ de vision*”, la portion de l’espace tridimensionnel située au-dessus du niveau du sol qui est surveillée par vision directe ou à l’aide d’un dispositif de vision indirecte. Sauf indication contraire, il s’agit de la zone de vision offerte par un ou des dispositifs autres que des rétroviseurs, qui peut être limitée par la distance de détection pertinente correspondant à celle des accessoires d’essai.
- 2.1.5 “*Système de détection*”, un système qui émet des signaux pour avertir le conducteur de la présence d’objets à proximité immédiate du véhicule.
- 2.1.5.1 “*Information sonore*”, des signaux sonores émis par un système de détection tel que défini au paragraphe 2.1.5 ci-dessus pour avertir le conducteur de la présence d’objets à proximité immédiate du véhicule.
- 2.1.5.2 “*Information visuelle*”, des signaux visuels émis par un système de détection tel que défini au paragraphe 2.1.5 ci-dessus pour avertir le conducteur de la présence d’objets à proximité immédiate du véhicule.
- 2.1.5.3 “*Information haptique*”, des signaux haptiques émis par un système de détection tel que défini au paragraphe 2.1.5 ci-dessus pour avertir le conducteur de la présence d’objets à proximité immédiate du véhicule.
- 2.1.6 “*Champ de détection*”, la portion de l’espace tridimensionnel située au-dessus du niveau du sol qui est surveillée à l’aide d’un système de détection.
- 2.2 “*Type de dispositif de vision ou de détection frontale et latérale*”, les dispositifs ne présentant pas entre eux de différences notables quant aux caractéristiques essentielles ci-après :
- a) Conception du dispositif, y compris, s’il y a lieu, la fixation à la carrosserie ;
 - b) En ce qui concerne les rétroviseurs, la forme, les dimensions et le rayon de courbure de la surface réfléchissante ;
 - c) En ce qui concerne les systèmes à caméra pour vision frontale et latérale, le champ de vision, le grossissement et la résolution ;
 - d) En ce qui concerne les systèmes de détection, le type de capteur et le type de signal d’information.

3. Demande d’homologation

- 3.1 La demande d’homologation d’un type de dispositif de vision frontale et latérale doit être soumise par le détenteur de la marque de fabrique ou de commerce ou son représentant dûment accrédité.
- 3.2 Un modèle de fiche de renseignements est présenté à l’annexe 1.
- 3.3 Pour chaque type de dispositif de vision frontale et latérale, la demande doit être accompagnée de trois échantillons.
- 3.4 Le fabricant doit préciser le(s) dispositif(s) concerné(s) par la demande d’homologation au titre du présent Règlement ONU.

4. Marques

- 4.1 Les échantillons de dispositifs de vision frontale et latérale présentés à l'homologation doivent porter la marque de fabrique ou de commerce du fabricant, apposée de manière nettement lisible et indélébile.
- 4.2 Chaque dispositif de vision frontale et latérale doit comporter, sur l'un au moins de ses principaux éléments, un emplacement de taille suffisante pour recevoir la marque d'homologation, qui doit être lisible ; cet emplacement doit être indiqué sur les dessins mentionnés à l'annexe 1. La marque d'homologation doit également être lisible lorsque le dispositif est monté sur le véhicule. Les autres éléments du dispositif doivent porter un moyen d'identification. Si l'emplacement prévu pour la ou les marques d'homologation est trop petit, il convient de fournir d'autres moyens d'identification permettant d'établir un lien avec la marque d'homologation.

5. Homologation

- 5.1 Si les échantillons présentés à l'homologation satisfont aux prescriptions du paragraphe 6 du présent Règlement, l'homologation pour le type de dispositif de vision frontale et latérale considéré doit être accordée.
- 5.2 Chaque type homologué reçoit un numéro d'homologation dont les deux premiers chiffres (actuellement 00) indiquent la série d'amendements correspondant aux plus récentes modifications techniques majeures apportées au Règlement à la date de délivrance de l'homologation. Une même Partie contractante ne peut pas attribuer ce même numéro à un autre type de dispositif de vision frontale et latérale.
- 5.3 L'homologation ou le refus, l'extension ou le retrait d'homologation ou encore l'arrêt définitif de la production d'un type de dispositif de vision frontale et latérale en application du présent Règlement doit être notifié aux Parties à l'Accord qui appliquent ledit Règlement au moyen d'une fiche conforme au modèle figurant à l'annexe 3 du présent Règlement.
- 5.4 Sur l'un au moins des principaux éléments de tout dispositif de vision frontale et latérale conforme à un type homologué en application du présent Règlement, il doit être apposé, de manière bien visible, à l'emplacement mentionné au paragraphe 4.2 ci-dessus, en plus de la marque prescrite au paragraphe 4.1, une marque d'homologation internationale composée :
- 5.4.1 D'un cercle à l'intérieur duquel est placée la lettre "E" suivie :
- a) Du numéro distinctif du pays qui a accordé l'homologation¹ ;
 - b) Du numéro du présent Règlement, suivi de la lettre "R", d'un tiret et du numéro d'homologation.
- 5.5 La marque d'homologation et le ou les symboles additionnels doivent être bien lisibles et indélébiles.
- 5.6 À l'annexe 5 du présent Règlement est donné un exemple de la marque d'homologation et du symbole additionnel mentionnés ci-dessus.

¹ La liste des numéros distinctifs des Parties contractantes à l'Accord de 1958 est reproduite à l'annexe 3 de la Résolution d'ensemble sur la construction des véhicules (R.E.3), document ECE/TRANS/WP.29/78/Rev.6 ; <https://unece.org/transport/standards/transport/vehicle-regulations-wp29/resolutions>.

6. Prescriptions

- 6.1 Rétroviseurs pour vision frontale et latérale à faible distance
- 6.1.1 Prescriptions générales
- 6.1.1.1 Tous les rétroviseurs conformes au présent Règlement doivent être fixés à la carrosserie du véhicule de manière à procurer au conducteur le champ de vision prévu.
- 6.1.2 Prescriptions particulières
- 6.1.2.1 Dimensions
- 6.1.2.1.1 La surface réfléchissante doit être de dimensions telles qu'elle offre le champ de vision prescrit au paragraphe 15.2 du présent Règlement, et son contour doit être de forme géométrique simple.
- 6.1.2.2 Surface réfléchissante et facteurs de réflexion
- 6.1.2.2.1 La surface réfléchissante d'un rétroviseur doit être plane ou sphérique convexe. Les rétroviseurs extérieurs peuvent être munis d'une partie asphérique supplémentaire à condition que le rétroviseur principal satisfasse aux prescriptions concernant le champ de vision indirecte.
- 6.1.2.2.2 Écarts entre les différents rayons de courbure des rétroviseurs
- 6.1.2.2.2.1 L'écart entre r_1 ou r'_1 et r_p à chaque point de référence doit être au maximum de 0,15 r.
- 6.1.2.2.2.2 L'écart entre l'un quelconque des rayons de courbure (r_{p1} , r_{p2} et r_{p3}) et r doit être au maximum de 0,15 r.
- 6.1.2.2.2.3 Lorsque r est égal ou supérieur à 3 000 mm, la valeur de 0,15 r mentionnée aux paragraphes 6.1.2.2.2.1 et 6.1.2.2.2.2 ci-dessus est portée à 0,25 r.
- 6.1.2.2.3 La valeur du facteur de réflexion normal, déterminée selon la méthode décrite à l'annexe 6, ne doit pas être inférieure à 40 %.
- Dans le cas de surfaces réfléchissantes à coefficient de réflexion variable, la position "jour" doit permettre de reconnaître les couleurs des signaux de circulation routière. La valeur du facteur de réflexion normale en position "nuit" ne doit pas être inférieure à 4 %.
- 6.1.2.2.4 La surface réfléchissante doit conserver les caractéristiques énoncées au paragraphe 6.1.2.2.3 ci-dessus même en cas d'exposition prolongée à des conditions météorologiques défavorables dans le cadre d'une utilisation normale.

7. Modification du type de dispositif de vision frontale et latérale et extension de l'homologation

- 7.1 Toute modification apportée à un type de dispositif de vision frontale et latérale existant, y compris sa fixation à la carrosserie, doit être portée à la connaissance de l'autorité d'homologation de type qui a accordé l'homologation de type à ce dispositif. L'autorité d'homologation de type doit alors :
- Décider, en consultation avec le fabricant, qu'il convient d'accorder une nouvelle homologation de type ; ou
 - Appliquer la procédure prévue au paragraphe 7.1.1 (Révision) et, le cas échéant, la procédure prévue au paragraphe 7.1.2 (Extension).
- 7.1.1 Révision
- Lorsque des renseignements consignés dans le dossier d'information ont changé et que l'autorité d'homologation de type considère que les

modifications apportées ne risquent pas d'avoir de conséquences négatives notables, et qu'en tout cas le dispositif de vision frontale et latérale continue de satisfaire aux prescriptions, la modification doit être considérée comme une "révision".

En pareil cas, l'autorité d'homologation de type doit publier les pages révisées du dossier d'information en faisant clairement apparaître sur chacune d'elles la nature de la modification et la date de republication. Une version récapitulative et actualisée du dossier d'information, accompagnée d'une description détaillée de la modification, est réputée satisfaire à cette exigence.

7.1.2 Extension

La modification doit être considérée comme une "extension" si, outre les modifications apportées aux renseignements consignés dans le dossier d'information :

- a) D'autres contrôles ou essais sont nécessaires ;
- b) Une des informations figurant dans la fiche de communication (à l'exception des pièces jointes) a été modifiée ; ou
- c) L'homologation en vertu d'une série d'amendements ultérieure est demandée après son entrée en vigueur.

7.2 La confirmation de l'homologation ou le refus d'homologation, avec l'indication des modifications, doivent être notifiés aux Parties à l'Accord appliquant le présent Règlement suivant la procédure indiquée au paragraphe 5.3 ci-dessus. En outre, la liste des pièces constituant le dossier d'homologation, annexée à la fiche de communication, doit être modifiée en conséquence pour que soit indiquée la date de la révision ou de l'extension la plus récente.

7.3 L'autorité d'homologation de type ayant délivré l'extension d'homologation doit attribuer un numéro de série à chaque fiche de communication établie pour une telle extension.

8. Conformité de la production

8.1 Les procédures de contrôle de la conformité de la production doivent satisfaire aux dispositions formulées dans l'appendice 1 de l'Accord (E/ECE/324-E/ECE/TRANS/505/Rev.3).

8.2 Tout dispositif de vision frontale et latérale homologué en vertu du présent Règlement doit être fabriqué de façon à être conforme au type homologué et à satisfaire aux prescriptions du paragraphe 6 ci-dessus.

9. Sanctions pour non-conformité de la production

9.1 L'homologation délivrée pour un type de dispositif de vision frontale et latérale en vertu du présent Règlement peut être retirée si les prescriptions énoncées au paragraphe 8.1 ci-dessus ne sont pas respectées ou si le dispositif ne satisfait pas aux dispositions du paragraphe 8.2 ci-dessus.

9.2 Si une Partie contractante à l'Accord appliquant le présent Règlement retire une homologation qu'elle avait précédemment accordée, elle doit en informer aussitôt les autres Parties contractantes appliquant le Règlement par l'envoi d'une copie de la fiche de communication portant à la fin, en gros caractères, la mention "HOMOLOGATION RETIRÉE" signée et datée.

10. Arrêt définitif de la production

Si le détenteur d'une homologation cesse totalement la production d'un type de dispositif de vision frontale et latérale homologué conformément au présent Règlement, il doit en informer l'autorité d'homologation de type ayant délivré l'homologation, laquelle autorité doit à son tour en aviser les autres Parties à l'Accord appliquant le présent Règlement par l'envoi d'une copie de la fiche d'homologation portant à la fin, en gros caractères, la mention "PRODUCTION ARRÊTÉE" signée et datée.

11. Noms et adresses des services techniques chargés des essais d'homologation et des autorités d'homologation de type

Les Parties à l'Accord appliquant le présent Règlement communiquent au Secrétariat de l'Organisation des Nations Unies les noms et adresses des services techniques chargés des essais d'homologation et des autorités d'homologation de type qui délivrent les homologations et auxquelles doivent être envoyées les fiches d'homologation ou d'extension, de refus ou de retrait d'homologation ou d'arrêt définitif de la production émises dans les autres pays.

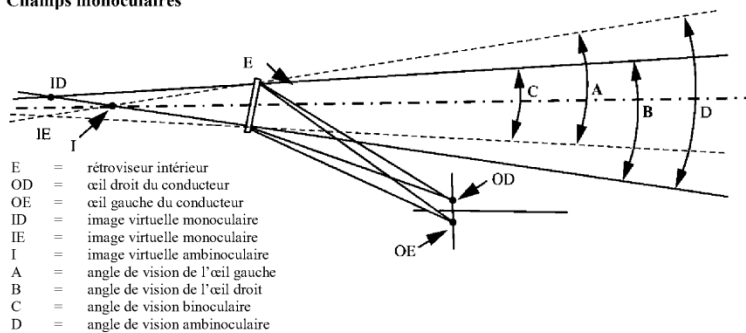
Partie II – Montage des dispositifs de vision ou de détection frontale et latérale

12. Définitions

Aux fins du présent Règlement, on entend par :

- 12.1 "Points oculaires du conducteur", deux points distants de 65 mm et situés à 635 mm verticalement au-dessus du point R relatif à la place du conducteur tel qu'il est défini à l'annexe 8. La droite qui relie ces points est perpendiculaire au plan médian longitudinal vertical du véhicule. Le milieu du segment qui joint les deux points oculaires est situé dans un plan vertical longitudinal qui doit passer par le centre de la place assise du conducteur, tel que défini par le constructeur.
- 12.2 "Vision ambinoculaire", le mode de vision permettant d'avoir un champ de vision total correspondant à l'addition des champs monoculaires de l'œil droit et de l'œil gauche (voir figure 1 ci-dessous).

Figure 1
Champs monoculaires



- 12.3 “Type de véhicule en ce qui concerne la détection par le conducteur de la présence d’usagers de la route vulnérables à proximité de l’avant et des côtés du véhicule”, des véhicules à moteur qui sont identiques quant aux éléments essentiels ci-après :
- 12.3.1 Type de dispositif de vision ou de détection frontale et latérale ;
- 12.3.2 Caractéristiques de la carrosserie réduisant le champ de vision ;
- 12.3.3 Coordonnées du point R (le cas échéant) ;
- 12.3.4 Emplacements prescrits et marques d’homologation de type des dispositifs de vision indirecte obligatoires et en option (si installés).
- 12.4 “Point de référence oculaire”, le point situé au milieu du segment reliant les points oculaires du conducteur ;
- 12.5 “Type de dispositif de vision ou de détection frontale et latérale”, une catégorie de dispositifs de vision ou de détection frontale et latérale qui ne présentent pas entre eux de différences notables en ce qui concerne :
- a) Le genre de dispositif ;
- b) Le moyen de vision ou de détection frontale et latérale utilisé ;
- 12.6 “Système électronique”, un système traitant des informations codées par des grandeurs variables (puissance, tension ou courant) et formé d’un certain nombre de composants interconnectés et présentant des relations entrée-sortie différentes.

13. Demande d’homologation

- 13.1 La demande d’homologation d’un type de véhicule en ce qui concerne le montage des dispositifs de vision ou de détection frontale et latérale doit être soumise par le détenteur de la marque de fabrique ou de commerce ou son représentant dûment accrédité.
- 13.2 Un modèle de fiche de renseignements est présenté à l’annexe 2.
- 13.3 Un véhicule représentatif du type de véhicule à homologuer doit être présenté au service technique chargé des essais d’homologation.
- 13.4 Avant d’accorder l’homologation de type, l’autorité d’homologation de type vérifie l’existence de dispositions satisfaisantes pour assurer des contrôles efficaces de la conformité de la production.
- 13.5 Le système à caméra pour vision frontale et latérale doit être fourni par le demandeur avec les documents suivants :
- a) Caractéristiques techniques du système à caméra ;
- b) Manuel d’utilisation.

14. Homologation

- 14.1 Lorsque le type de véhicule présenté à l’homologation conformément aux dispositions du paragraphe 13 ci-dessus satisfait aux dispositions du paragraphe 15 du présent Règlement, l’homologation pour ce type de véhicule doit être accordée.
- 14.2 Chaque type homologué reçoit un numéro d’homologation dont les deux premiers chiffres (actuellement 00) indiquent la série d’amendements correspondant aux plus récentes modifications techniques majeures apportées au Règlement à la date de délivrance de l’homologation. Une même Partie contractante ne peut pas attribuer ce numéro à un autre type de véhicule.

- 14.3 L'homologation ou le refus, l'extension ou le retrait d'homologation ou encore l'arrêt définitif de la production d'un type de véhicule en application du présent Règlement doit être notifié aux Parties à l'Accord qui appliquent ledit Règlement au moyen d'une fiche conforme au modèle figurant à l'annexe 4 du présent Règlement.

15. Prescriptions

15.1 Dispositions générales

Aux fins du présent Règlement, le véhicule doit satisfaire aux prescriptions suivantes :

Le véhicule doit être équipé d'au moins un moyen de vision ou de détection.

Tout moyen faisant appel à un ou plusieurs systèmes électroniques (par exemple, systèmes à caméra ou systèmes de détection) peut être activé à la demande du conducteur.

La combinaison des moyens de vision procure un champ de vision frontale et latérale à faible distance tel que défini au paragraphe 15.2. Ces moyens peuvent être les suivants :

- a) Vision directe ;
- b) Dispositif homologué conformément au Règlement ONU n° 46 modifié par la série 04 d'amendements ;
- c) Rétroviseur pour vision frontale et latérale à faible distance conforme au présent Règlement ;
- d) Système à caméra pour vision frontale et latérale à faible distance conforme au présent Règlement.

La combinaison des moyens de détection doit fournir des informations sur ce qui se trouve dans le champ de détection défini au paragraphe 15.3. Ces moyens peuvent être les suivants :

Les moyens doivent être des systèmes de détection conformes au présent Règlement.

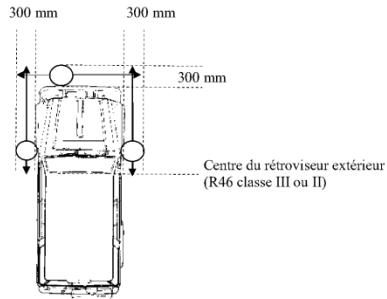
15.2 Champ de vision frontale et latérale à faible distance

Les limites du champ de vision sont définies par les plans suivants (voir la figure 2 ci-dessous) :

- a) Un plan vertical transversal passant par un point situé à 300 mm du contour des côtés du véhicule ;
- b) Un plan horizontal transversal passant par un point situé à 300 mm du contour de l'avant du véhicule ;
- c) Les zones situées en avant du centre des rétroviseurs extérieurs (côté conducteur et côté passager). Dans le cas d'un véhicule équipé d'un système à caméra et moniteur (CMS) conforme au Règlement ONU n° 46 modifié par la série 04 d'amendements, le constructeur doit se référer à un véhicule identique équipé de rétroviseurs extérieurs, ou utiliser le centre de l'objectif de la caméra du CMS de classe III ou II au lieu du centre des rétroviseurs extérieurs.

Le contour est défini par la projection au sol de la forme extérieure du véhicule le long de laquelle il est possible de déplacer l'accessoire d'essai défini à l'annexe 9 du présent Règlement (cylindre de 300 mm de diamètre). Les petites irrégularités de la forme extérieure ne sont pas prises en compte.

Figure 2
Champ de vision frontale et latérale à faible distance

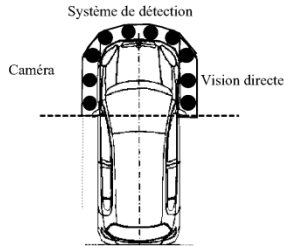


- 15.2.1 Prescriptions
- Lorsque l'essai se déroule selon la méthode décrite à l'annexe 9, le conducteur doit pouvoir repérer l'accessoire d'essai.
- 15.2.1.1 En regardant vers l'avant en vision ambinoculaire directe (les points d'observation étant les points oculaires corrigés) ou en vision binoculaire (le point d'observation étant le point de référence oculaire corrigé) ; la position de ces points doit être recalculée selon les méthodes de correction décrites à l'annexe 10 ;
- 15.2.1.2 En utilisant un dispositif de vision indirecte (rétroviseur, système à caméra et moniteur ou autre dispositif) homologué en application du Règlement ONU n° 46 ; ou
- 15.2.1.3 En utilisant un dispositif de vision frontale et latérale indirecte (rétroviseur ou système à caméra ou autre dispositif) conforme au présent Règlement ; ou
- 15.2.1.4 En utilisant un dispositif de détection ; ou
- 15.2.1.5 En recourant à une combinaison des moyens décrits aux paragraphes 15.2.1.1 à 15.2.1.4. et déclarés par le fabricant.
- 15.2.2 Les zones correspondant aux différents moyens de perception peuvent se chevaucher (voir les exemples de la figure 3).
- 15.2.3 Le fabricant doit indiquer au service technique le moyen de perception correspondant à chaque zone, afin que le service technique puisse installer le matériel d'essai en conséquence. Ces informations doivent être consignées dans le rapport d'essai.

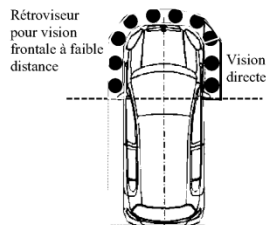
Figure 3

Moyens de perception et zones correspondantes (conduite à droite)

- a) Vision directe, système de détection et système à caméra pour vision frontale et latérale



- b) Vision directe et rétroviseur



15.2.4 Exigences particulières relatives aux systèmes à caméra pour vision frontale et latérale et aux systèmes de détection

15.2.4.1 Il doit être possible d'activer facilement le système à caméra pour vision frontale et latérale et le système de détection lorsqu'une vitesse est enclenchée.

15.2.4.2 Un système à caméra pour vision frontale et latérale ou un système de détection dont la plage de perception ne permet pas de surveiller simultanément la totalité du champ de perception requis doivent être en mesure d'adapter cette plage en fonction des actions du conducteur afin de lui fournir des informations sur la zone qui l'intéresse.

Il doit être possible d'activer facilement le système à caméra pour vision frontale et latérale et le système de détection. Si la combinaison de ces dispositifs ne permet pas de surveiller la totalité du champ de perception requis, elle doit permettre au moins de fournir au conducteur des informations sur la zone qui l'intéresse.

15.2.5 Le champ de vision frontale et latérale à faible distance doit être défini en vision ambinoculaire, les points d'observation étant les points oculaires corrigés tels que définis au paragraphe 12.1, ou en vision binoculaire, le point d'observation étant le point de référence oculaire corrigé. Les champs de vision doivent être déterminés lorsque le véhicule est en ordre de marche tel que défini dans la Résolution d'ensemble sur la construction des véhicules (R.E.3) (ECE/TRANS/WP.29/78/Rev.6, par. 2.2.5.4), avec en plus, pour les véhicules M_1 et N_1 , un passager sur le siège avant (75 kg). Lorsque le champ de vision est établi à travers un vitrage, le facteur de transmission lumineuse total de celui-ci doit être conforme aux prescriptions énoncées à l'annexe 24 du Règlement ONU n° 43 modifié par la série 04 d'amendements.

15.2.6 Dans le cas d'un rétroviseur comportant plusieurs surfaces réfléchissantes qui soit sont de courbure différente, soit ne sont pas dans le même plan, au moins

une de ces surfaces doit offrir le champ de vision et avoir les dimensions spécifiées pour la classe à laquelle le rétroviseur appartient.

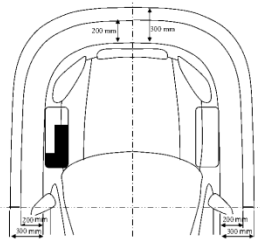
15.3 Champ de détection

Les limites du champ de détection sont définies par les surfaces courbes et les plans suivants (voir la figure 4) :

- Une surface courbe verticale passant par un point situé à 200 mm du contour de l'avant du véhicule ;
- Une surface courbe verticale passant par un point situé à 300 mm du contour de l'avant du véhicule ;
- Les zones situées en avant du centre des rétroviseurs extérieurs (côté conducteur et côté passager) et entre les surfaces définies aux points a) et b). Dans le cas d'un véhicule équipé d'un système à caméra et moniteur (CMS) conforme au Règlement ONU n° 46 modifié par la série 04 d'amendements, le constructeur doit se référer à un véhicule identique équipé de rétroviseurs extérieurs, ou utiliser le centre de l'objectif de la caméra du CMS de classe III ou II au lieu du centre des rétroviseurs extérieurs.

Le contour est défini par la projection au sol de la forme extérieure du véhicule le long de laquelle il est possible de déplacer l'accessoire d'essai défini à l'annexe 9 du présent Règlement (cylindre de 300 mm de diamètre). Les petites irrégularités de la forme extérieure ne sont pas prises en compte.

Figure 4
Champ de détection



- 15.3.1 Lors d'un essai effectué dans les conditions définies à l'annexe 12, les prescriptions relatives au champ de détection sont considérées comme satisfaites si les informations définies au paragraphe 17.2 sont fournies au conducteur.

15.4 Dispositifs de vision ou de détection frontale et latérale

15.4.1 Position

- 15.4.1.1 Les dispositifs de vision ou de détection frontale et latérale doivent être placés de manière à permettre au conducteur, assis sur son siège dans la position normale de conduite, d'avoir une vision claire de la route vers les côtés et l'avant du véhicule.

- 15.4.1.2 Pour tout véhicule qui, lors de la mesure du champ de vision ou du champ de détection, est à l'état de châssis cabine, les largeurs, hauteurs et longueurs minimales et maximales de carrosserie recommandées doivent être déclarées par le constructeur et, si nécessaire, simulées par des panneaux figurant la cloison avant du compartiment de charge. Toutes les configurations de véhicule et de dispositifs de vision ou de détection frontale et latérale prises en considération lors des essais doivent être mentionnées sur le certificat

d'homologation d'un type de véhicule en ce qui concerne l'installation des dispositifs de vision ou de détection frontale et latérale (voir annexe 4). Ces informations portent notamment sur la plage des positions d'installation des dispositifs (longueur, largeur et hauteur).

- 15.4.1.3 Les dispositifs de vision ou de détection frontale et latérale ne doivent pas dépasser de la carrosserie du véhicule plus qu'il n'est nécessaire pour que soient respectées les prescriptions relatives aux champs de vision ou aux champs de détection.
- 15.4.1.4 Les dispositifs de vision ou de détection frontale et latérale doivent être solidement fixés de telle manière qu'ils ne puissent se déplacer au point de modifier sensiblement le champ de vision ou de détection tel qu'il a été mesuré, ou vibrer au point que le conducteur puisse interpréter de manière erronée les informations fournies. Le câblage des dispositifs doit être protégé et ne pas être visible à la surface du véhicule.
- 15.5 Dérégation concernant l'angle mort
- L'angle mort produit par le montant avant ou le rétroviseur extérieur qui remplit les conditions décrites à l'annexe 11 du présent Règlement est exclu du champ de vision ou de détection.

16. Prescriptions relatives aux systèmes à caméra pour vision frontale et latérale

- 16.1 Activation du système
- Le véhicule doit être doté d'un dispositif permettant au conducteur d'activer ou de désactiver le système.
- En cas de dysfonctionnement, le système doit s'arrêter automatiquement ou pouvoir être désactivé manuellement par le conducteur.
- 16.2 Vue par défaut
- En mode de vue par défaut, le système à caméra pour vision frontale et latérale doit restituer l'image correspondant au moins au champ de vision décrit au paragraphe 15.2.
- Lorsque le conducteur active le système à caméra pour vision frontale et latérale, celui-ci doit par défaut afficher les vues de l'avant et des côtés du véhicule.
- 16.2.1 Réglage de la luminance et du contraste
- Si un réglage manuel de la luminance ou du contraste est possible, le manuel d'utilisation doit indiquer comment procéder.
- 16.2.2 Prescriptions concernant la superposition d'informations au champ de vision prescrit
- Seules des informations visuelles relatives à la conduite ou à la sécurité portant sur les côtés et l'avant du véhicule peuvent être superposées aux images. La superposition d'autres éléments d'information au champ de vision prescrit n'est pas autorisée.
- 16.3 Réglage des vues
- Les vues de l'avant et des côtés du véhicule peuvent être modifiées automatiquement par le système à caméra ou manuellement par le conducteur.
- 16.4 Disponibilité opérationnelle (disponibilité du système)
- Le conducteur doit être informé de la désactivation du système (par exemple, une défaillance du système à caméra pour vision frontale et latérale peut être indiquée par un signal d'avertissement, l'affichage d'informations ou par

l'absence de témoin d'état). L'information donnée au conducteur doit être expliquée dans le manuel d'utilisation.

- 16.5 **Moniteur à l'intérieur du véhicule**
Le moniteur doit être visible sans obstruction depuis le point de référence oculaire. Un essai virtuel est acceptable.
- 16.5.1 L'obstruction du champ de vision directe du conducteur découlant de l'installation d'un dispositif de vision indirecte doit être réduite au minimum.
- 16.6 Les véhicules peuvent être munis de dispositifs complémentaires de vision indirecte.
- 16.7 Nonobstant les dispositions ci-dessus, tout autre type de modèle doit faire l'objet d'une démonstration à la satisfaction du service technique dans le cadre du concept de sécurité conforme aux dispositions ci-dessus.
- 16.8 Les performances du système à caméra pour vision frontale et latérale ne doivent pas être affectées par des champs magnétiques ou électriques. Cette condition est réputée satisfaite si le système est conforme aux prescriptions techniques et aux dispositions transitoires de la série 05 d'amendements ou de toute autre série ultérieure d'amendements au Règlement ONU n° 10.

17. Prescriptions relatives aux systèmes de détection

- 17.1 **Activation du système**
Le véhicule doit être doté d'un dispositif permettant au conducteur d'activer ou de désactiver le système.
En cas de dysfonctionnement, le système doit s'arrêter automatiquement ou pouvoir être désactivé manuellement par le conducteur.
- 17.2 **Interface avec le conducteur et stratégie de présentation des informations**
- 17.2.1 Le système doit être capable d'émettre au moins deux des trois types de signaux d'information suivants : sonores, visuels ou haptiques.
- 17.2.1.1 Tant que l'un des signaux d'information reste actif, les autres peuvent être désactivés manuellement par le conducteur.
- 17.2.2 **Signal sonore**
Lorsque le système, après avoir été activé par une opération du conducteur, détecte un objet dans une zone horizontale située à l'avant et sur les côtés du véhicule, telle que décrite au paragraphe 1.3 de l'annexe 12, il émet un signal sonore.
- 17.2.3 **Durée de l'émission du signal**
Le signal est émis tant que l'objet est détecté et s'arrête dès que l'objet n'est plus détecté ou lorsque le système est désactivé.
L'émission du signal sonore peut être automatiquement suspendue temporairement après un certain temps, à condition que le système reste activé.
- 17.2.4 **Signal visuel**
Dans le cas où le signal visuel s'affiche sur un écran utilisé pour d'autres informations, telles que l'affichage de groupes de compteurs ou autres, la superposition d'informations est autorisée à condition d'être conforme aux prescriptions relatives à la superposition pour les systèmes à caméra figurant au point 16.2.2. du présent Règlement.

- 17.2.5 Disponibilité opérationnelle (disponibilité du système)
Le conducteur doit être informé de la désactivation du système (par exemple, une défaillance du système de détection peut être indiquée par un signal d'avertissement, l'affichage d'informations ou par l'absence de témoin d'état). L'information donnée au conducteur doit être expliquée dans le manuel d'utilisation.
- 17.3 Les performances du système de détection ne doivent pas être affectées par des champs magnétiques ou électriques. Cette condition est réputée satisfaite si le système est conforme aux prescriptions techniques et aux dispositions transitoires de la série 05 d'amendements ou de toute autre série ultérieure d'amendements au Règlement ONU n° 10.

18. Modification du type de véhicule et extension de l'homologation

- 18.1 Toute modification du type de véhicule doit être portée à la connaissance de l'autorité d'homologation de type qui a accordé l'homologation de type à ce véhicule. L'autorité d'homologation de type doit alors :
- a) Décider, en consultation avec le constructeur, qu'il convient d'accorder une nouvelle homologation de type ;
 - b) Appliquer la procédure prévue au paragraphe 18.1.1 (Révision) et, le cas échéant, la procédure prévue au paragraphe 18.1.2 (Extension).
- 18.1.1 Révision
- Lorsque des renseignements consignés dans le dossier d'information ont changé et que l'autorité d'homologation de type considère que les modifications apportées ne risquent pas d'avoir de conséquences négatives notables, et qu'en tout cas le véhicule continue de satisfaire aux prescriptions, la modification doit être considérée comme une "révision".
- En pareil cas, l'autorité d'homologation de type doit publier les pages révisées du dossier d'information en faisant clairement apparaître sur chacune d'elles la nature de la modification et la date de republication. Une version récapitulative et actualisée du dossier d'information, accompagnée d'une description détaillée de la modification, est réputée satisfaisante à cette exigence.
- 18.1.2 Extension
- La modification doit être considérée comme une "extension" si, outre les modifications apportées aux renseignements consignés dans le dossier d'information :
- a) D'autres contrôles ou essais sont nécessaires ;
 - b) Une des informations figurant dans la fiche de communication (à l'exception des pièces jointes) a été modifiée ; ou
 - c) L'homologation en vertu d'une série d'amendements ultérieure est demandée après son entrée en vigueur.
- 18.2 La confirmation de l'homologation ou le refus d'homologation, avec l'indication des modifications, doivent être notifiés aux Parties à l'Accord appliquant le présent Règlement par l'envoi d'une fiche conforme au modèle donné à l'annexe 4 au présent Règlement. En outre, la liste des pièces constituant le dossier d'homologation, annexée à la fiche de communication, doit être modifiée en conséquence pour que soit indiquée la date de la révision ou de l'extension la plus récente.

- 18.3 L'autorité d'homologation de type ayant délivré l'extension d'homologation doit attribuer un numéro de série à chaque fiche de communication établie pour une telle extension.

19. Conformité de la production

- 19.1 Les procédures de contrôle de la conformité de la production doivent satisfaire aux dispositions formulées dans l'appendice 1 de l'Accord (E/ECE/324-E/ECE/TRANS/505/Rev.3).

- 19.2 Tout véhicule homologué en vertu du présent Règlement doit être construit de façon à être conforme au type homologué et à satisfaire aux prescriptions du paragraphe 15 et, le cas échéant, du paragraphe 16 et du paragraphe 17 ci-dessus.

20. Sanctions pour non-conformité de la production

- 20.1 L'homologation délivrée pour un type de véhicule en vertu du présent Règlement peut être retirée si la prescription énoncée au paragraphe 19.1 ci-dessus n'est pas respectée ou si le véhicule n'a pas subi avec succès les vérifications prévues au paragraphe 19.2 ci-dessus.

- 20.2 Si une Partie contractante à l'Accord appliquant le présent Règlement retire une homologation qu'elle avait précédemment accordée, elle doit en informer aussitôt les autres Parties contractantes appliquant le Règlement par l'envoi d'une copie de la fiche de communication portant à la fin, en gros caractères, la mention "HOMOLOGATION RETIRÉE" signée et datée.

21. Arrêt définitif de la production

Si le détenteur d'une homologation cesse totalement la production d'un type de véhicule homologué conformément au présent Règlement, il doit en informer l'autorité d'homologation de type ayant délivré l'homologation, laquelle autorité doit à son tour en aviser les autres Parties à l'Accord appliquant le présent Règlement par l'envoi d'une copie de la fiche d'homologation portant à la fin, en gros caractères, la mention "PRODUCTION ARRÊTÉE" signée et datée.

22. Noms et adresses des services techniques chargés des essais d'homologation et des autorités d'homologation de type

Les Parties à l'Accord appliquant le présent Règlement communiquent au Secrétariat de l'Organisation des Nations Unies les noms et adresses des services techniques chargés des essais d'homologation et des autorités d'homologation de type qui délivrent les homologations et auxquelles doivent être envoyées les fiches d'homologation ou d'extension, de refus ou de retrait d'homologation ou d'arrêt définitif de la production émises dans les autres pays.

Annexe 1

Fiche de renseignements relative à l'homologation de type d'un dispositif de vision frontale et latérale

Les renseignements ci-après, dans la mesure où ils s'appliquent, doivent être soumis en trois exemplaires. Une liste des éléments inclus doit également être fournie.

Les dessins éventuellement soumis doivent être à une échelle appropriée et suffisamment détaillés, au format A4 ou sur un document plié à ce format.

Les photographies éventuellement soumises doivent être suffisamment détaillées.

1. Marque (raison sociale du fabricant) :
2. Type et dénomination(s) commerciale(s) générale(s) :
3. Moyen d'identification du type, s'il est indiqué sur le dispositif :
4. Catégorie de véhicules sur laquelle le dispositif est destiné à être monté :
5. Nom et adresse du fabricant :
6. Emplacement et méthode d'apposition de la marque d'homologation des rétroviseurs extérieurs pour vision frontale et latérale à faible distance :
- 6.1 Autres moyens d'identification permettant d'établir un lien avec la marque d'homologation des rétroviseurs extérieurs pour vision frontale et latérale à faible distance :
7. Adresse des usines de montage :
8. Rétroviseurs (renseignements à donner pour chaque rétroviseur) :
- 8.1 Variante :
- 8.2 Dessins permettant d'identifier le rétroviseur :
- 8.3 Caractéristiques détaillées du mode de fixation :

Annexe 2

Fiche de renseignements relative à l'homologation de type d'un véhicule en ce qui concerne le montage d'un dispositif de vision frontale et latérale

Les renseignements ci-après, dans la mesure où ils s'appliquent, doivent être soumis en trois exemplaires. Une liste des éléments inclus doit également être fournie.

Les dessins éventuellement soumis doivent être à une échelle appropriée et suffisamment détaillés, au format A4 ou sur un document plié à ce format.

Les photographies éventuellement soumises doivent être suffisamment détaillées.

Dispositions générales

1. Marque (raison sociale du constructeur) :
2. Type et dénomination(s) commerciale(s) générale(s) :
3. Moyen d'identification du type, s'il est indiqué sur le véhicule :
4. Emplacement de cette marque :
5. Catégorie du véhicule :
6. Nom et adresse du constructeur :
7. Adresse des ateliers de montage :

Caractéristiques générales de construction du véhicule

8. Photographies et/ou dessins d'un véhicule représentatif :
9. Position de conduite : à gauche/à droite¹
- 9.1 Véhicule aménagé pour la circulation à droite/circulation à gauche²
10. Dimensions du véhicule (dimensions hors tout) :
- 10.1 Pour un châssis sans carrosserie :
- 10.1.1 Largeur³ :
- 10.1.1.1 Largeur maximale admissible :
- 10.1.1.2 Largeur minimale admissible :
- 10.1.2. Longueur :
- 10.1.2.1. Longueur maximale admissible :

¹ Biffer la mention inutile.

² Biffer la mention inutile.

³ Par "largeur hors tout" d'un véhicule, on désigne une dimension mesurée conformément à la norme ISO 612-1978, terme n° 6.2. Dans le cas des véhicules de catégories autres que M₁, outre les dispositions de cette norme, il ne doit pas être tenu compte des équipements suivants lors de la mesure de la largeur du véhicule :

- a) Dispositifs de scellés douaniers et dispositifs de protection de ceux-ci ;
- b) Dispositifs de fixation de la bâche et dispositifs de protection de ceux-ci ;
- c) Témoins de défaillance des pneumatiques ;
- d) Parties souples en saillie d'un système antiprojection d'eau ;
- e) Dispositifs d'éclairage ;
- f) Pour les autobus, rampes d'accès en état de fonctionnement, plateformes de levage et autres équipements semblables en état de fonctionnement, à condition qu'ils ne fassent pas saillie de plus de 10 mm par rapport aux côtés du véhicule et que les angles des rampes orientés vers l'avant ou vers l'arrière soient arrondis selon un rayon d'au moins 5 mm ; les bords doivent être arrondis selon un rayon d'au moins 2,5 mm ;
- g) Dispositifs de vision indirecte ;
- h) Indicateurs de pression des pneumatiques ;
- i) Marchepieds rabattables ;
- j) Renflement du pneumatique au contact du sol.

- 10.1.2.2 Longueur minimale admissible :
- 10.1.3 Hauteur :
- 10.1.3.1 Hauteur maximale admissible :
- 10.1.3.2 Hauteur minimale admissible :
- 10.2 Pour un châssis avec carrosserie :
- 10.2.1 Largeur² :
- 10.2.2 Longueur :
- 10.2.3 Hauteur :
- 11. Carrosserie
- 11.1 Dispositifs de vision ou de détection frontale et latérale : vision directe, dispositifs homologués selon le Règlement ONU n° 46 ; rétroviseur extérieur pour vision frontale et latérale à faible distance conforme au présent Règlement, système à caméra pour vision frontale et latérale conforme au présent Règlement, système de détection conforme au présent Règlement.
- 11.1.1 Vision directe
- 11.1.1.1 Dessin(s)/photographie(s) montrant la vision directe par rapport à la structure du véhicule :
- 11.1.2 Dispositifs homologués conformément au Règlement ONU n° 46
- 11.1.2.1 Numéro d'homologation de type du ou des dispositifs homologués conformément au Règlement ONU n° 46 :
- 11.1.2.2 Classe(s) des rétroviseurs et dispositifs de vision indirecte (I, II, III, IV, V, VI)²
- 11.1.2.3 Dessin(s) indiquant la position du ou des dispositifs par rapport à la structure du véhicule :
- 11.1.3 Rétroviseur pour vision frontale et latérale à faible distance conforme au présent Règlement
- 11.1.3.1 Dessin(s) indiquant la position du ou des rétroviseurs par rapport à la structure du véhicule :
- 11.1.3.2 Caractéristiques détaillées du mode de fixation du rétroviseur, y compris la partie de la carrosserie du véhicule à laquelle il est fixé :
- 11.1.3.3 Équipements en option susceptibles d'affecter le champ de vision frontale et latérale :
- 11.1.3.4 Brève description des éléments électroniques du système de réglage, le cas échéant :
- 11.1.4 Système à caméra pour vision frontale et latérale conforme au présent Règlement
- 11.1.4.1 Dessin(s) ou photographie(s) indiquant la position de la ou des caméras par rapport à la structure du véhicule :
- 11.1.4.2 Dessin(s) ou photographie(s) montrant la disposition du ou des moniteurs, y compris les parties intérieures adjacentes :
- 11.1.4.3 Dessin(s) ou photographie(s) montrant la vue du conducteur sur le(s) moniteur(s) :
- 11.1.4.4 Dessin(s) ou photographie(s) montrant la configuration du champ de vision prescrit et l'image qu'en donne le moniteur :
- 11.1.4.5 Caractéristiques détaillées du mode de fixation du système à caméra pour vision frontale et latérale, y compris la partie de la carrosserie du véhicule à laquelle il est fixé :

- 11.1.4.6 Équipements en option susceptibles d'affecter le champ de vision frontale et latérale :
- 11.1.4.7 Brève description des éléments électroniques du système de réglage, le cas échéant :
- 11.1.4.8 Spécifications techniques et manuel d'utilisation du système à caméra pour vision frontale et latérale :
- 11.1.5 Système de détection conforme au présent Règlement
- 11.1.5.1 Dessin(s) ou photographie(s) indiquant la position du ou des capteurs par rapport à la structure du véhicule :
- 11.1.5.2 Signaux d'information : sonores, visuels ou haptiques.
- 11.1.5.3 Spécifications techniques et manuel d'utilisation du système de détection.
- 12. Dispositif(s) concerné(s) par la demande d'homologation au titre du présent Règlement ONU :

Annexe 3

Communication concernant la délivrance, l'extension, le refus ou le retrait d'une homologation ou l'arrêt définitif de la production d'un type de dispositif de vision frontale et latérale (entité technique distincte)

(Format maximum : A4 (210 x 297 mm))



Émanant de :
 Nom de l'administration :

Concernant² : Délivrance d'une homologation
 Extension d'homologation
 Refus d'homologation
 Retrait d'homologation
 Arrêt définitif de la production

d'un type de dispositif de vision frontale et latérale (entité technique distincte) en application du Règlement ONU n° xxx.

Numéro d'homologation Numéro d'extension

1. Marque déposée du dispositif :
2. Dénomination du type de dispositif attribuée par le fabricant :
3. Nom et adresse du fabricant :
4. Nom et adresse du mandataire du fabricant (s'il y a lieu) :
5. Soumis à l'homologation le :
6. Service technique chargé des essais d'homologation :
7. Date du procès-verbal d'essai :
8. Numéro du procès-verbal d'essai :
9. Description sommaire :
 Identification du dispositif: rétroviseur, système à caméra pour vision frontale et latérale, autre système².....
 Dispositif de vision frontale et latérale à faible distance²
10. Emplacement de la marque d'homologation :
11. Motif(s) de l'extension d'homologation (s'il y a lieu) :
12. L'homologation est accordée/refusée/étendue/retirée² :
13. Lieu :
14. Date :
15. Signature :
16. La liste annexée à la présente communication énumère les documents déposés auprès de l'autorité d'homologation de type ayant délivré l'homologation, qui peuvent être obtenus sur demande.

¹ Numéro distinctif du pays qui a délivré, étendu, refusé ou retiré l'homologation (voir les dispositions du présent Règlement relatives à l'homologation).

² Biffer les mentions inutiles.

Annexe 4

Communication concernant la délivrance, l'extension, le refus ou le retrait d'une homologation ou l'arrêt définitif de la production d'un type de véhicule en ce qui concerne les dispositifs de vision frontale et latérale

(Format maximum : A4 (210 x 297 mm))



Émanant de :

Nom de l'administration :

.....

Concernant² : Délivrance d'une homologation
 Extension d'homologation
 Refus d'homologation
 Retrait d'homologation
 Arrêt définitif de la production

d'un type de véhicule en ce qui concerne les dispositifs de vision frontale et latérale en application du Règlement ONU n° xxx.

Numéro d'homologation : Numéro d'extension :

1. Marque (raison sociale du constructeur) :
2. Type et dénomination(s) commerciale(s) générale(s)
3. Moyen d'identification du type, s'il est indiqué sur le véhicule :
- 3.1 Emplacement de cette marque :
4. Catégorie du véhicule : (M₁, N₁)²
5. Nom et adresse du constructeur :
6. Adresse des usines de montage :
7. Autres renseignements (le cas échéant) : voir l'appendice
8. Service technique chargé des essais :
9. Date du procès-verbal d'essai :
10. Numéro du procès-verbal d'essai :
11. Observations (le cas échéant) : voir l'appendice
12. Lieu :
13. Date :
14. Signature :
15. La liste annexée à la présente communication énumère les documents déposés auprès de l'autorité d'homologation de type ayant délivré l'homologation, qui peuvent être obtenus sur demande.

¹ Numéro distinctif du pays qui a délivré, étendu, refusé ou retiré l'homologation (voir les dispositions du présent Règlement relatives à l'homologation).

² Biffer les mentions inutiles.

Annexe 4 – Appendice

Appendice à la fiche de communication n° ... relative à l'homologation de type d'un véhicule en ce qui concerne les dispositifs de vision frontale et latérale en application du Règlement ONU n° xxx.

1. Marque de fabrique ou de commerce des dispositifs de vision ou de détection frontale et latérale et numéro d'homologation de type des éléments (le cas échéant) :
2. Dispositifs de vision ou de détection frontale et latérale : vision directe, dispositifs homologués selon le Règlement ONU n° 46 ; rétroviseur pour vision frontale et latérale à faible distance conforme au présent Règlement, système à caméra pour vision frontale et latérale conforme au présent Règlement, système de détection conforme au présent Règlement¹.
3. Extension de l'homologation de type du véhicule aux fins d'y inclure les dispositifs de vision ou de détection frontale et latérale suivants :
4. Données permettant de déterminer le point R de la place du conducteur :
5. Largeurs, longueurs et hauteurs maximales et minimales de la carrosserie pour lesquelles les dispositifs de vision ou de détection frontale et latérale ont reçu l'homologation de type :
6. Sont annexés au présent certificat les documents ci-après, portant le numéro d'homologation de type indiqué plus haut (le cas échéant) :

 - a) Dessins décrivant le montage des dispositifs de vision ou de détection frontale et latérale.....
 - b) Dessins et plans indiquant la ou les positions de montage et les caractéristiques de la partie de la structure sur laquelle sont montés les dispositifs de vision ou de détection frontale et latérale.....
 - c) Dessins et plans indiquant les obstacles à la vision frontale et latérale, par exemple les aménagements intérieurs, le vitrage, etc.

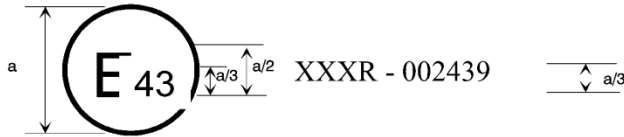
7. Observations (par exemple, valable pour la circulation à droite/la circulation à gauche)¹ :

Annexe 5

Exemple de marque d'homologation d'un dispositif de vision frontale et latérale

(Voir le paragraphe 5.4 du Règlement)

a = 5 mm min.



La marque d'homologation ci-dessus, apposée sur un dispositif de vision frontale et latérale, indique qu'il s'agit d'un dispositif de vision frontale et latérale à faible distance qui a été homologué au Japon (E 43) en application du Règlement ONU n° xxx, sous le numéro d'homologation 002439. Les deux premiers chiffres du numéro d'homologation signifient que le Règlement ONU n° xxx se trouvait dans sa version originale lorsque l'homologation a été accordée.

Note : Le numéro d'homologation et le symbole additionnel doivent être placés à proximité du cercle et soit au-dessus ou au-dessous, soit à gauche ou à droite de la lettre "E". Les chiffres du numéro d'homologation doivent être placés d'un même côté par rapport à la lettre "E" et orientés dans la même direction. Le symbole additionnel doit être placé de façon diamétralement opposée au numéro d'homologation. L'utilisation de chiffres romains pour les numéros d'homologation est à éviter afin de prévenir toute confusion avec d'autres symboles.

Annexe 6

Méthode d'essai pour la détermination du facteur de réflexion

1. Définitions
 - 1.1 Illuminant normalisé A de la Commission internationale de l'éclairage (CIE)¹ : illuminant colorimétrique correspondant à un corps noir de température de couleur $T_{68} = 2\,855,6$ K.
 - 1.1.2 Source normalisée CIE A¹ : lampe à filament de tungstène à atmosphère gazeuse fonctionnant à une température de couleur proximale $T_{68} = 2\,855,6$ K.
 - 1.1.3 Observateur de référence colorimétrique CIE 1931¹ : récepteur de rayonnement dont les caractéristiques colorimétriques correspondent aux composantes trichromatiques spectrales $\bar{x}(\lambda)$, $\bar{y}(\lambda)$, $\bar{z}(\lambda)$ (voir tableau).
 - 1.1.4 Composantes trichromatiques spectrales de la CIE¹ : composantes trichromatiques, dans le système de la CIE (XYZ), des éléments monochromatiques d'un spectre équidénergétique.
 - 1.1.5 Vision photopique¹ : vision de l'œil normal lorsqu'il est adapté à des niveaux de luminance d'au moins plusieurs cd/m^2 .
2. Appareillage
 - 2.1 Dispositions générales

L'appareillage doit comporter une source de lumière, un porte-échantillon, un récepteur comportant un photodétecteur et un appareil de mesure (voir fig. 1), ainsi que les moyens nécessaires pour supprimer les effets de la lumière parasite.

Le récepteur peut comprendre une sphère d'Ulbricht pour faciliter la mesure du facteur de réflexion des rétroviseurs non plans (convexes) (voir fig. 2).
 - 2.2 Caractéristiques spectrales de la source lumineuse et du photodétecteur

La source de lumière doit être une source normalisée CIE A associée à un système optique permettant d'obtenir un faisceau lumineux quasi parallèle. Il est recommandé de prévoir un stabilisateur de tension pour maintenir une tension fixe de la lampe pendant tout le fonctionnement de l'appareillage.

Le récepteur doit comprendre un photodétecteur dont la réponse spectrale est proportionnelle à la fonction de luminosité photopique de l'observateur de référence colorimétrique CIE (1931) (voir tableau). On peut également adopter toute autre combinaison d'illuminant-filtre-récepteur donnant un équivalent global de l'illuminant normalisé CIE A et de la vision photopique. Si le récepteur comprend une sphère d'Ulbricht, la surface intérieure de la sphère doit être revêtue d'un revêtement blanc mat diffusif et non sélectif.
 - 2.3 Conditions géométriques

Le faisceau incident doit de préférence former un angle (θ) de $0,44 \pm 0,09$ rad ($25 \pm 5^\circ$) par rapport à la perpendiculaire à la surface d'essai ; cet angle ne doit pas dépasser la limite supérieure de la tolérance (c'est-à-dire $0,53$ radian ou 30°). L'axe du récepteur doit former avec cette perpendiculaire un angle (θ) égal à celui du faisceau incident (voir fig. 1). Le diamètre du faisceau incident au niveau de la surface d'essai doit être d'au moins 13 mm ($0,5$ pouce). La tache formée par le faisceau réfléchi sur la surface sensible du photodétecteur doit être d'un diamètre inférieur aux dimensions de cette surface, en couvrir au

¹ Définitions extraites de la publication CIE 50 (45), Vocabulaire électronique international, Groupe 45, Éclairage.

moins 50 % et, si possible, correspondre à la même zone que la tache du faisceau utilisé pour l'étalonnage de l'instrument.

Si le récepteur comprend une sphère d'Ulbricht, celle-ci doit avoir un diamètre minimal de 127 mm (5 pouces). Les ouvertures pratiquées dans la paroi de la sphère pour l'échantillon et le faisceau incident doivent être de taille suffisante pour laisser passer totalement les faisceaux lumineux incident et réfléchi. Le photodétecteur doit être placé de manière à ne pas recevoir directement la lumière du faisceau incident ou du faisceau réfléchi.

2.4 Caractéristiques électriques de l'ensemble photodétecteur-appareil de mesure

Le signal du photodétecteur relevé sur l'appareil de mesure doit être une fonction linéaire de l'intensité lumineuse reçue par la surface photosensible. Des moyens (électriques ou optiques, ou les deux) doivent être prévus pour faciliter le réglage du zéro et l'étalonnage. Ces moyens ne doivent pas affecter la linéarité ou les caractéristiques spectrales de l'instrument. La précision de l'ensemble récepteur-appareil de mesure doit être de ± 2 % de la pleine échelle ou de ± 10 % de la valeur mesurée, la valeur la plus petite des deux étant retenue.

2.5 Porte-échantillon

Le mécanisme doit permettre de placer l'échantillon de telle manière que l'axe du bras de la source et celui du bras du récepteur se croisent au niveau de la surface réfléchissante. Cette surface réfléchissante peut se trouver à l'intérieur du rétroviseur échantillon ou sur l'un des deux côtés de celui-ci, selon qu'il s'agit d'un rétroviseur à première surface, à deuxième surface ou d'un rétroviseur prismatique de type jour-nuit.

3. Méthode opératoire

3.1 Méthode d'étalonnage direct

L'étalon de référence de la méthode d'étalonnage direct est l'air. Cette méthode est applicable aux instruments conçus de manière à permettre un étalonnage au maximum de la plage de mesure (100 % de l'échelle) en faisant pivoter le récepteur pour le placer directement dans l'axe de la source de lumière (voir fig. 1).

Il peut être nécessaire dans certains cas (par exemple, des surfaces à faible facteur de réflexion) de prendre un point d'étalonnage intermédiaire (entre 0 et 100 % de l'échelle). Dans ces cas, il faut ajouter un filtre de densité neutre de facteur de transmission connu sur le chemin optique, et régler le système d'étalonnage de l'appareil de mesure de manière à ce que celui-ci affiche le pourcentage de transmission correspondant au filtre à densité neutre. Ce filtre doit être enlevé avant de procéder aux mesures du facteur de réflexion.

3.2 Méthode d'étalonnage indirect

La méthode d'étalonnage indirect est applicable aux instruments ne permettant pas de modifier les positions relatives de la source et du récepteur. Elle nécessite un étalon de référence convenablement calibré et conservé dans de bonnes conditions. Cet étalon sera de préférence un rétroviseur plan dont le facteur de réflexion est aussi proche que possible de celui des échantillons.

3.3. Mesure sur rétroviseur plan

Le facteur de réflexion des échantillons de rétroviseur plan peut être mesuré à l'aide d'instruments fonctionnant sur le principe de l'étalonnage direct ou indirect. La valeur du facteur de réflexion est lue directement sur l'appareil de mesure.

3.4. Mesure sur rétroviseur non plan (convexe)

La mesure du facteur de réflexion de rétroviseurs non plans (convexes) demande l'utilisation d'instruments comprenant une sphère d'Ulbricht (voir fig. 2). Si la valeur affichée par l'appareil de mesure est n_e pour un rétroviseur étalon de facteur de réflexion $E\%$ et n_x pour un rétroviseur de facteur de réflexion inconnu $X\%$, le facteur de réflexion X est donné par la formule suivante :

$$X = E \frac{n_x}{n_e}$$

Figure 1

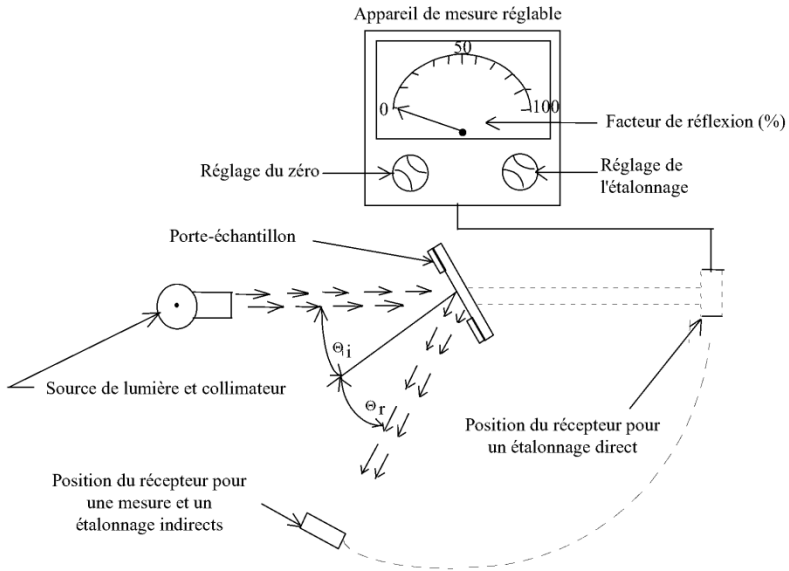
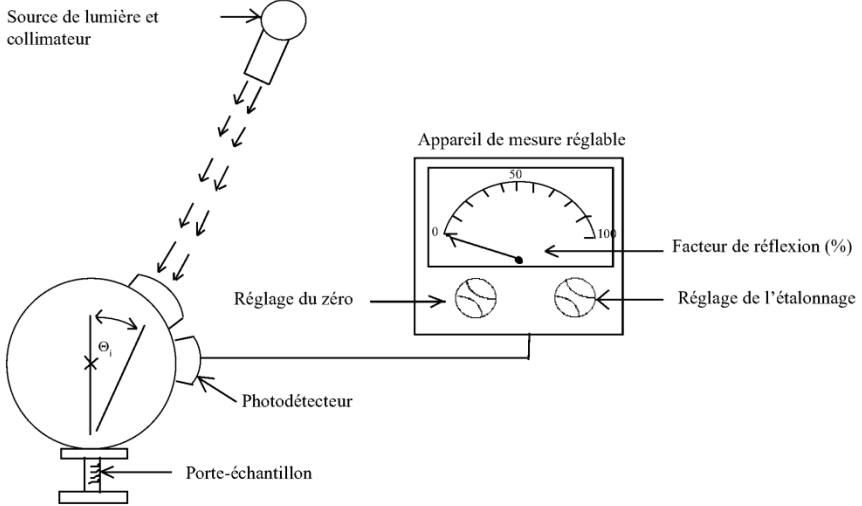
Dispositif expérimental d'étalonnage (étalonnage direct et indirect)

Figure 2

Dispositif expérimental lorsque le récepteur comprend une sphère d'Ulbricht

4. Valeurs des composantes trichromatiques spectrales de l'observateur de référence colorimétrique CIE 1931¹

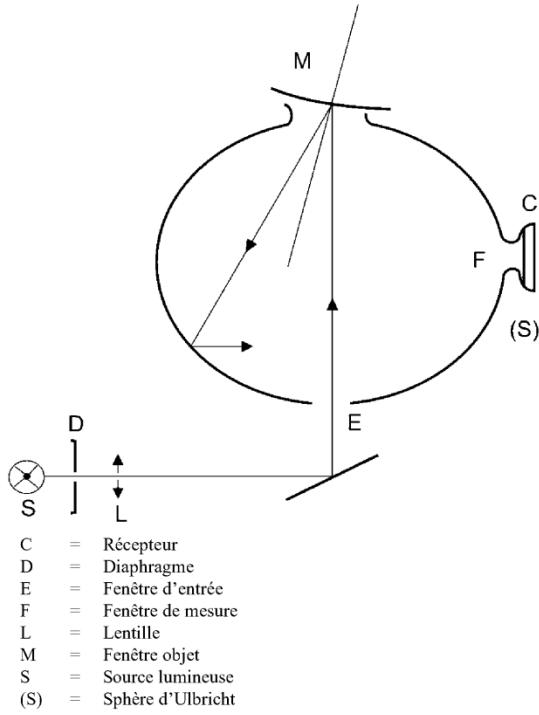
Ce tableau est extrait de la publication CIE 50 (45) (1970).

λ nm	$\bar{x}(\lambda)$	$\bar{y}(\lambda)$	$\bar{z}(\lambda)$
380	0,001 4	0,000 0	0,006 5
390	0,004 2	0,000 1	0,020 1
400	0,014 3	0,000 4	0,067 9
410	0,043 5	0,001 2	0,207 4
420	0,134 4	0,004 0	0,645 6
430	0,283 9	0,011 6	1,385 6
440	0,348 3	0,023 0	1,747 1
450	0,336 2	0,038 0	1,772 1
460	0,290 8	0,060 0	1,669 2
470	0,195 4	0,091 0	1,287 6
480	0,095 6	0,139 0	0,813 0
490	0,032 0	0,208 0	0,465 2
500	0,004 9	0,323 0	0,272 0
510	0,009 3	0,503 0	0,158 2
520	0,063 3	0,710 0	0,078 2
530	0,165 5	0,862 0	0,042 2
540	0,290 4	0,954 0	0,020 3
550	0,433 4	0,995 0	0,008 7
560	0,594 5	0,995 0	0,003 9
570	0,762 1	0,952 0	0,002 1
580	0,916 3	0,870 0	0,001 7
590	1,026 3	0,757 0	0,001 1
600	1,062 2	0,631 0	0,000 8
610	1,002 6	0,503 0	0,000 3
620	0,854, 4	0,381 0	0,000 2
630	0,642 4	0,265 0	0,000 0
640	0,447 9	0,175 0	0,000 0
650	0,283 5	0,107 0	0,000 0
660	0,164 9	0,061 0	0,000 0
670	0,087 4	0,032 0	0,000 0
680	0,046 8	0,017 0	0,000 0
690	0,022 7	0,008 2	0,000 0
700	0,011 4	0,004 1	0,000 0
710	0,005 8	0,002 1	0,000 0
720	0,002 9	0,001 0	0,000 0
730	0,001 4	0,000 5	0,000 0
740	0,000 7	0,000 2 *	0,000 0
750	0,000 3	0,000 1	0,000 0
760	0,000 2	0,000 1	0,000 0
770	0,000 1	0,000 0	0,000 0
780	0,000 0	0,000 0	0,000 0

* Modifié en 1966 (de 3 à 2)

¹ Tableau abrégé. Les valeurs $\bar{y}(\lambda) = V(\lambda)$ sont arrondies à la quatrième décimale.

Figure 3
Exemple de dispositif de mesure du facteur de réflexion des surfaces réfléchissantes
sphériques



Annexe 7

Procédure de détermination du rayon de courbure “r” de la surface réfléchissante du rétroviseur

1. Mesure
 - 1.1 Appareillage

On utilise un sphéromètre similaire à celui décrit à la figure 1 ci-dessous et satisfaisant aux distances indiquées entre la pointe traçante du comparateur à cadran et les pattes fixes de l'instrument.
 - 1.2 Points de mesure
 - 1.2.1. La mesure des rayons de courbure principaux est effectuée en trois points situés aussi près que possible du tiers, de la moitié et des deux tiers de l'arc de la surface réfléchissante passant par le centre de cette surface et parallèle au segment b, ou de l'arc passant par le centre de la surface réfléchissante qui lui est perpendiculaire si ce dernier arc est le plus long.
 - 1.2.2. Toutefois, si les dimensions de la surface réfléchissante rendent impossible l'obtention des mesures dans les directions définies au paragraphe 2.1.2.2.2 du présent Règlement, le service technique chargé des essais peut procéder à des mesures au point considéré dans deux directions perpendiculaires aussi proches que possible de celles prescrites ci-dessus.
2. Calcul du rayon de courbure “r”

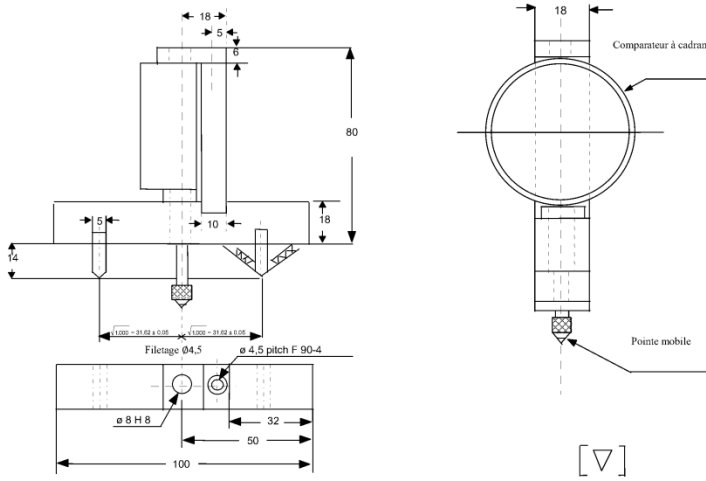
“r”, exprimé en mm, est calculé au moyen de la formule suivante :

$$r = \frac{r_p1 + r_p2 + r_p3}{3}$$

où :

- r_p1 est le rayon de courbure au premier point de mesure ;
- r_p2 est le rayon de courbure au deuxième point de mesure ;
- r_p3 est le rayon de courbure au troisième point de mesure.

Figure 1
Sphéromètre



(Toutes les dimensions sont en millimètres)

Annexe 8

Procédure de détermination du point H et de l'angle réel de torsion pour les places assises des véhicules automobiles¹

Appendice 1 – Description de la machine tridimensionnelle point H (machine 3D-H)¹

Appendice 2 – Système de référence à trois dimensions¹

Appendice 3 – Paramètres des places assises¹

Annexe 9

Méthodes d'essai concernant le champ de vision frontal et latéral à faible distance

La présente méthode doit être appliquée dans la zone qui est désignée par le fabricant comme correspondant aux dispositifs de vision directe ou indirecte (rétroviseurs ou systèmes à caméra pour vision frontale et latérale).

1. Champ de vision

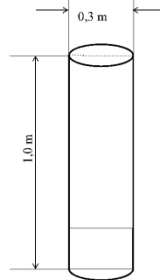
Les prescriptions relatives au champ de vision défini au paragraphe 15.2 du présent Règlement peuvent être soumises à des essais dans les conditions définies dans la présente annexe.

1.1. Accessoires d'essai

L'accessoire d'essai est constitué d'un cylindre droit de 1 m de haut et de 0,3 m de diamètre extérieur. Voir la figure 1.

Figure 1

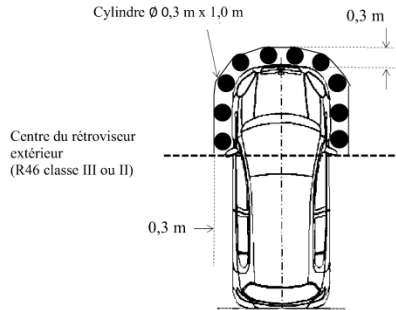
Accessoire d'essai



1.2. Disposition et orientation de l'accessoire d'essai

L'accessoire d'essai doit être en contact avec l'avant ou les côtés du véhicule en tout point d'une zone allant du centre du rétroviseur extérieur côté passager à celui du rétroviseur extérieur côté conducteur, et doit être visible dans le champ de vision frontale et latérale à faible distance. Dans le cas d'un véhicule équipé d'un système à caméra et moniteur (CMS) conforme au Règlement ONU n° 46 modifié par la série 04 d'amendements, le constructeur doit se référer à un véhicule identique équipé de rétroviseurs extérieurs, ou utiliser le centre de l'objectif de la caméra du CMS de classe II au lieu du centre des rétroviseurs extérieurs.

Figure 2
Positions de l'accessoire d'essai



- 1.3 Conditions d'essai
- 1.3.1 Conditions d'éclairage pour les systèmes à caméra pour vision frontale et latérale
- Les essais doivent être effectués dans les conditions de luminosité ambiante suivantes : éclairage uniforme par le haut avec une intensité comprise entre 7 000 lux et 10 000 lux, telle que mesurée au centre de la surface extérieure du toit du véhicule.
- À la demande du fabricant, l'essai peut être effectué dans des conditions de luminosité plus faible.
- 1.3.2 Conditions de température pour les systèmes à caméra pour vision frontale et latérale
- Pendant les essais, la température à l'intérieur de l'habitacle du véhicule doit être comprise entre 15 °C et 25 °C.
- 1.3.3 Préparation du véhicule
- 1.3.3.1 Pneumatiques
- Les pneumatiques du véhicule doivent être gonflés à la pression de gonflage à froid recommandée par le constructeur.
- 1.3.3.2 Chargement du véhicule
- Le véhicule doit être en ordre de marche, comme cela est défini dans la Résolution d'ensemble sur la construction des véhicules (R.E.3) (ECE/TRANS/WP.29/78/Rev.6, par. 2.2.5.4). Pour les véhicules des catégories M₁ et N₁, un passager doit se trouver sur le siège avant (75 kg).
- 1.3.3.3 Suspension réglable
- Si le véhicule est équipé d'un système de suspension réglable, celui-ci doit être réglé de manière à offrir les conditions les plus défavorables.
- 1.4 Procédure d'essai
- La visibilité du cylindre est testée en déplaçant le cylindre le long des côtés et de l'avant du véhicule, tout en le maintenant en contact avec celui-ci, du centre du rétroviseur extérieur côté passager à celui du rétroviseur extérieur côté conducteur.

Annexe 10

Méthodes de correction de la position des points oculaires du conducteur

1. Compensation de l'inclinaison du dossier

Lorsque les essais sont effectués conformément au paragraphe 15.2.1.1, les positions des points oculaires du conducteur ou du point de référence oculaire sont corrigées vers l'avant, l'arrière, le haut ou le bas en fonction de l'inclinaison du dossier du véhicule d'essai, comme indiqué dans le tableau 1.

Tableau 1
Compensation de l'inclinaison du dossier

Inclinaison du dossier [°] avant/arrière [mm]	Correction		Inclinaison du dossier [°] avant/arrière [mm]	Correction		
	haut/bas [mm]			haut/bas [mm]		
5	-186		28	23	-18	5
6	-177		27	24	-9	3
7	-167		27	25	0	0
8	-157		27	26	9	-3
9	-147		26	27	17	-5
10	-137		25	28	26	-8
11	-128		24	29	34	-11
12	-118		23	30	43	-14
13	-109		22	31	51	-18
14	-99		21	32	59	-21
15	-90		20	33	67	-24
16	-81		18	34	76	-28
17	-72		17	35	84	-32
18	-62		15	36	92	-35
19	-53		13	37	100	-39
20	-44		11	38	108	-43
21	-35		9	39	115	-48
22	-26		7	40	123	-52

Note : Notations utilisées dans le tableau : correction avant/arrière (- : vers l'avant, + : vers l'arrière) ; correction haut/bas (- : vers le bas, + : vers le haut)

2. Compensation des mouvements du conducteur pendant la vérification du côté passager

Lorsque les essais sont réalisés conformément au paragraphe 15.2.1.1, les positions des points oculaires (vision binoculaire) ou du point de référence oculaire peuvent être corrigées pour tenir compte des mouvements antéro-postérieurs (avant/arrière), latéraux (droite/gauche), et verticaux (haut/bas) que le conducteur accomplit lorsqu'il vérifie, au démarrage, l'environnement du véhicule du côté passager, à condition que les corrections se situent dans les plages indiquées au tableau 2.

Les points oculaires ou le point de référence oculaire corrigés sont situés dans un espace tridimensionnel défini par les points oculaires du conducteur définis au point 12.1 ou par le point de référence oculaire défini au point 12.2 du présent Règlement et les corrections des points oculaires du conducteur ou du point de référence oculaire indiquées au tableau 2.

Tableau 2

Compensation des mouvements du conducteur pendant la vérification du côté passager

<i>Mesures exprimées en mm</i>	<i>Correction avant/arrière (+ : vers l'arrière, - : vers avant)</i>	<i>Correction droite/gauche (+ : vers la droite, - : vers la gauche)</i>	<i>Correction haut/bas (+ : vers le haut, - : vers le bas)</i>
Mouvement vertical	0	-10	40
Mouvement antéro-postérieur	-140	-15	10
Mouvement latéral	30	-110	15

Note : Dans le tableau, pour les véhicules à conduite à gauche, on remplacera "gauche" par "droite" et "droite" par "gauche".

3. Compensation des mouvements du conducteur pendant la vérification du côté conducteur

Lorsque les essais sont réalisés conformément au paragraphe 15.2.1.1, les positions des points oculaires (vision binoculaire) ou du point de référence oculaire peuvent être corrigées pour tenir compte des mouvements antéro-postérieurs (avant/arrière), latéraux (droite/gauche), et verticaux (haut/bas) que le conducteur accomplit lorsqu'il regarde par la vitre latérale pour vérifier si un usager de la route vulnérable se trouve ou non à l'avant droit du véhicule, à condition que les corrections se situent dans les plages indiquées au tableau 3.

Les points oculaires ou le point de référence oculaire corrigés sont situés dans un espace tridimensionnel défini par les points oculaires du conducteur définis au point 12.1 ou par le point de référence oculaire défini au point 12.2 du présent Règlement et les corrections des points oculaires du conducteur ou du point de référence oculaire indiquées au tableau 3.

Tableau 3

Compensation des mouvements du conducteur pendant la vérification du côté conducteur

<i>Mesures exprimées en mm</i>	<i>Correction avant/arrière (+ : vers l'arrière, - : vers l'avant)</i>	<i>Correction droite/gauche (+ : vers la droite, - : vers la gauche)</i>	<i>Correction haut/bas (+ : vers le haut, - : vers le bas)</i>
Mouvement vertical	-100	300	0
Mouvement antéro-postérieur	-200	250	-50
Mouvement latéral maximal vers le côté conducteur	-50	350	-50

Note : Dans le tableau, pour les véhicules à conduite à gauche, on remplacera "gauche" par "droite" et "droite" par "gauche".

Annexe 11

Étendue de l'angle mort produit par le montant avant ou le rétroviseur extérieur

1. Définitions

1.1 Par "angle mort produit par le rétroviseur extérieur", on entend l'angle mort créé par la structure du véhicule qui maintient ou protège le rétroviseur extérieur et par le rétroviseur extérieur.

1.2 Par "angle mort produit par le montant avant", on entend l'angle mort créé par la structure du véhicule qui est située en avant du point de référence oculaire et au-dessus d'un plan parallèle à l'axe médian du véhicule et passant par les deux points que sont le point de référence oculaire et le point le plus bas de la zone transparente du vitrage latéral à travers lequel il est possible de voir la surface du sol lorsque le côté gauche du véhicule est observé depuis le point de référence oculaire (point a de la figure 1). Toutefois, une vitre située dans la partie inférieure de la portière n'est pas considérée comme un vitrage latéral.

Pour les véhicules à conduite à gauche, on remplacera "gauche" par "droite".

2. Étendue de l'angle mort

L'étendue de l'angle mort créé par le montant avant ou le rétroviseur extérieur est donnée par la formule ci-après. S'il y a plus d'un angle mort, l'étendue de chacun d'entre eux doit être calculée à l'aide de la formule.

$$X \leq 0,292 \cdot L - 0,203$$

où :

X (en m) correspond à la limite de l'angle mort, et est égal à la distance entre le centre d'un cylindre en contact avec la limite avant de l'angle mort et le centre d'un cylindre en contact avec la limite arrière de cet angle mort.

L (en m) correspond à un point situé à l'intérieur de l'angle mort créé par le montant avant ou le rétroviseur extérieur, et est égal à la distance entre le bord arrière d'un cylindre en contact avec la limite arrière de l'angle mort et le bord avant de la roue arrière.

(Voir la figure 2.)

Figure 1
Titre de la figure
(conduite à droite)

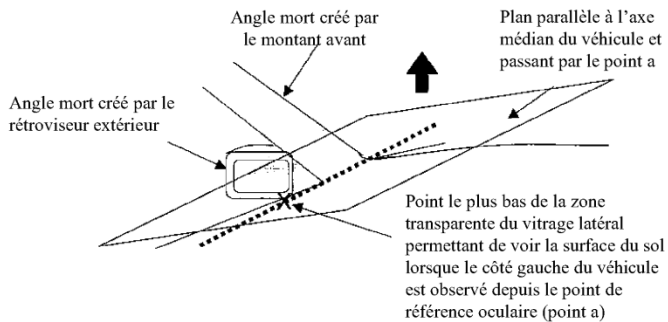
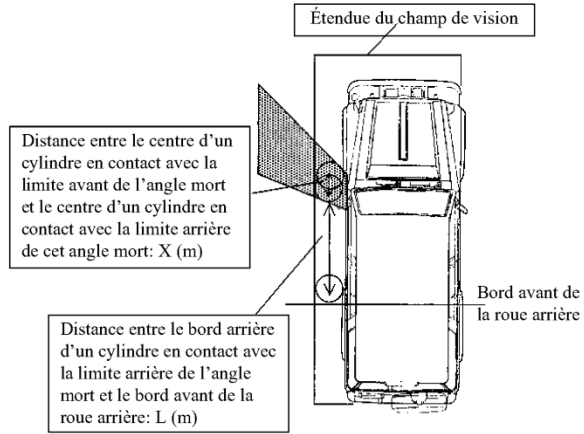


Figure 2
Titre de la figure
(conduite à droite)



Annexe 12

Méthodes d'essai des systèmes de détection

1. Détection dans la zone horizontale frontale et latérale

Le système de détection doit satisfaire aux essais prescrits au paragraphe 1.3.1 de la présente annexe.
- 1.1 Conditions d'essai

L'accessoire d'essai doit être conforme aux prescriptions du paragraphe 7.1 de la norme ISO 17386:2010. Pendant les essais, la vitesse du vent ne doit pas dépasser 1 m/s. La température doit être de $20 \pm 5^\circ\text{C}$ et l'humidité de $60 \pm 25\%$. Il ne doit y avoir ni pluie ni neige. L'essai doit être effectué sur une surface plane et sèche en asphalte ou en béton. Il ne doit pas être perturbé par la réflexion d'ondes sonores ou électromagnétiques sur un mur, par l'appareillage d'essai auxiliaire ou par tout autre objet se trouvant à proximité.
- 1.2 Préparation des essais

Un accessoire d'essai est utilisé. Les positions de l'accessoire d'essai sont définies par le constructeur afin de garantir la détection de l'accessoire. L'accessoire d'essai doit se trouver sur l'une des grilles de la zone horizontale frontale et latérale définie au point 1.3.1 de la présente annexe. Dans son état initial, le véhicule soumis à l'essai est à l'arrêt. Dans le cas des véhicules équipés d'une transmission automatique, "à l'arrêt" signifie que le véhicule est au point mort et que le levier de vitesse est sur la position P (parking), alors que sur les véhicules équipés d'une transmission manuelle, cela signifie que le véhicule est au point mort et que le frein de stationnement est serré.

Pendant l'essai, une personne (d'un poids de 75 kg) assise sur le siège du conducteur doit, tout en maintenant le véhicule à l'arrêt, effectuer une opération qui active le système de détection tel que décrit par le constructeur ou dans le manuel d'utilisation.
- 1.3 Méthode d'essai
 - 1.3.1 Champ de détection

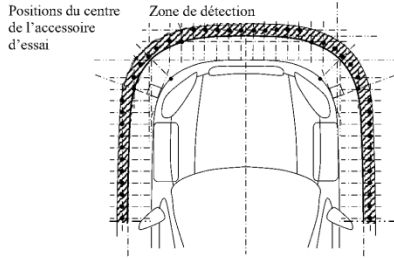
Le champ de détection est divisé en trois zones : avant, coins et côtés. Les méthodes d'essai pour l'avant, les coins et les côtés sont indiquées aux paragraphes 1.3.1.1, 1.3.1.2 et 1.3.1.3.

L'essai doit être effectué en déplaçant l'accessoire d'essai dans le champ de détection jusqu'à ce qu'il atteigne la première case de la grille dans laquelle il n'est pas détecté (voir figure 1).

L'essai doit être réalisé en respectant un intervalle de 100 mm entre les positions de l'accessoire d'essai ; afin de limiter le nombre de mesures, il est possible de porter cet intervalle à 200 mm et de procéder à l'essai pour les deux cases adjacentes à chaque case dans laquelle l'accessoire d'essai n'est pas détecté.

L'une ou l'autre de ces méthodes peut être utilisée pour les zones de chevauchement entre la grille de points d'essai spécifiée au paragraphe 1.3.1.2 et la grille de points d'essai spécifiée aux paragraphes 1.3.1.1 ou 1.3.1.3.

Figure 1
Champ de détection



1.3.1.1 Champ de détection à l'avant du véhicule

Le champ de détection de la zone avant est illustré à la figure 2.

W_f est la largeur du véhicule mesurée le long de l'essieu avant.

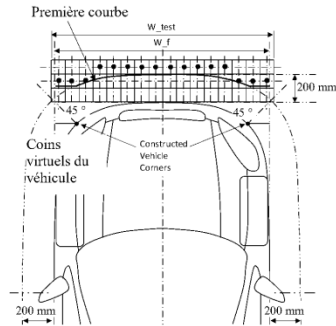
W_{test} est égal à la moitié de W_f , la valeur étant arrondie aux 100 mm les plus proches, puis multipliée par deux.

Délimiter la zone avant, qui est définie comme suit : un rectangle centré sur l'axe médian du véhicule, dont le grand côté est perpendiculaire à celui-ci et tangent à l'extrémité avant du véhicule, dont la largeur est W_{test} et dont la longueur vers l'avant est de 300 mm. Tracer ensuite une grille (cases de 100 mm x 100 mm) sur le sol de cette zone.

Tracer une courbe qui suit la forme du contour du véhicule (projection verticale sur le sol comme indiqué sur la figure 2) entre les deux coins virtuels du véhicule, obtenus par construction géométrique. La courbe doit se trouver à 200 mm à l'extérieur du contour du véhicule. Au-delà des coins virtuels du véhicule, la courbe est complétée par des segments de droite perpendiculaires à l'axe médian du véhicule pour couvrir toute la largeur du véhicule (W_{test}). La construction géométrique des coins virtuels du véhicule est décrite au paragraphe 1.3.1.2. ci-dessous. Placer le centre de l'accessoire d'essai sur le point d'intersection de la grille le plus proche de la courbe et en avant de celle-ci, dans chaque rangée de la grille parallèle à l'axe médian du véhicule.

La première courbe suit la forme du pare-chocs avant telle qu'elle apparaît dans la vue de dessus du véhicule pour la partie située entre les deux coins virtuels du véhicule, et se transforme en segments de droite perpendiculaires à l'axe médian du véhicule pour les parties situées au-delà des coins virtuels.

Figure 2
Champ de détection à l'avant du véhicule



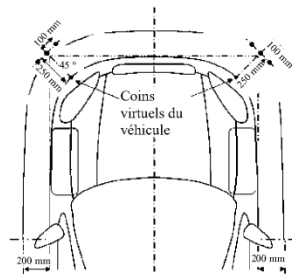
1.3.1.2 Champ de détection au niveau des coins du véhicule

Le champ de détection au niveau des coins du véhicule est illustré à la figure 3.

- Dessiner un rectangle tangent aux contours du véhicule ;
- Pour chaque sommet du rectangle, tracer une demi-droite entre le sommet et le véhicule en formant un angle de 45° ;
- Les intersections de ces demi-droites et des contours du véhicule sont les coins virtuels du véhicule ;
- Procéder à l'essai en plaçant l'accessoire d'essai sur les trois points suivants : le premier point est situé à 250 mm de l'un des coins virtuels du véhicule, sur la demi-droite à 45° passant par ce coin ; les deux autres se trouvent chacun à 100 mm du premier point, de part et d'autre de celui-ci sur une droite perpendiculaire à la demi-droite à 45° .

Répéter l'opération pour l'autre coin.

Figure 3
Champ de détection au niveau des coins du véhicule



1.3.1.3 Champ de détection des zones latérales

Le champ de détection des zones latérales est illustré à la figure 4.

L_f est la distance entre le centre du rétroviseur extérieur et l'extrémité avant du véhicule, mesurée parallèlement à l'axe médian du véhicule.

L_{test} est la valeur de L_f arrondie aux 100 mm les plus proches.

Délimiter les zones latérales, qui sont définies comme suit : deux rectangles symétriques par rapport à l'axe médian du véhicule et dont les grands côtés

sont parallèles à l'axe médian du véhicule, tangents aux côtés et à l'extrémité avant du véhicule, de longueur L_{test} et de largeur 300 mm. Tracer ensuite une grille (cases de 100 mm x 100 mm) sur le sol de cette zone.

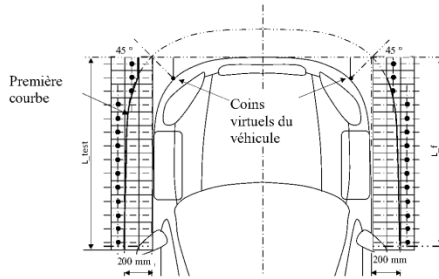
Tracer une courbe qui suit la forme du contour du véhicule (projection verticale sur le sol comme indiqué sur la figure 4) La courbe doit se trouver à 200 mm à l'extérieur du contour du véhicule. Au-delà des coins virtuels du véhicule, la courbe est complétée par des segments de droite perpendiculaires à l'axe médian du véhicule pour couvrir toute la largeur du véhicule (W_{test}).

Placer le centre de l'accessoire d'essai sur le point d'intersection de la grille le plus proche de la courbe et en avant de celle-ci, dans chaque rangée de la grille parallèle à l'axe médian du véhicule.

La première courbe suit la forme des côtés du véhicule et du pare-chocs avant telle qu'elle apparaît dans la vue de dessus du véhicule pour la partie située en deçà des deux coins virtuels du véhicule, et se transforme en segments de droite parallèles à l'axe médian du véhicule pour les parties situées au-delà des coins virtuels.

Figure 4

Champ de détection des zones latérales



1.3.2. Essai de détection

Le champ de détection ne doit pas présenter de zone non détectée de taille supérieure à deux cases adjacentes.

Si le signal sonore est émis pendant plus de 5 s en continu, l'accessoire d'essai est considéré comme détecté. L'essai de détection doit être effectué une fois pour chaque position de l'accessoire d'essai. Cependant, si nécessaire et en accord avec le service technique et le constructeur, l'accessoire d'essai peut être réputé détecté si le signal a été émis dans 4 essais sur 5. ».

[TEXT IN RUSSIAN – TEXTE EN RUSSE]

Европейская экономическая комиссия

Комитет по внутреннему транспорту

Всемирный форум для согласования правил в области транспортных средств

Сто восемьдесят восьмая сессия

Женева, 14–16 ноября 2022 года

Пункт 4.13.1 предварительной повестки дня

Соглашение 1958 года:

**рассмотрение предложений по новым правилам ООН,
переданных вспомогательными рабочими группами
Всемирному форуму**

Предложение по новым правилам ООН, касающимся присутствия уязвимых участников дорожного движения в непосредственной близости спереди и сбоку

Представлено Рабочей группой по общим предписаниям, касающимся безопасности*

Воспроизведенный ниже текст был принят Рабочей группой по общим предписаниям, касающимся безопасности (GRSG), на ее сто двадцать третьей сессии (ECE/TRANS/WP.29/GRSG/102, пункт 25). В его основу положен документ ECE/TRANS/WP.29/GRSG/2022/6 с поправками, содержащимися в приложении VI к докладу. Этот текст представляется Всемирному форуму для согласования правил в области транспортных средств (WP.29) и Административному комитету (AC.1) для рассмотрения на их сессиях в ноябре 2022 года.

* В соответствии с программой работы Комитета по внутреннему транспорту на 2022 год, изложенной в предлагаемом бюджете по программам на 2022 год (A/76/6 (часть V, разд. 20), п. 20.76), Всемирный форум будет разрабатывать, согласовывать и обновлять правила в целях улучшения характеристик транспортных средств. Настоящий документ представлен в соответствии с этим мандатом.

Предложение по новым правилам ООН, касающимся присутствия уязвимых участников дорожного движения в непосредственной близости спереди и сбоку, гласит следующее:

«Правила № XXX¹ ООН

Единообразные предписания, касающиеся официального утверждения устройств и автотранспортных средств в отношении предупреждения водителя о присутствии уязвимых участников дорожного движения в непосредственной близости впереди и по сторонам от транспортного средства

Содержание

Стр.**

Правила	
0. Введение	
1. Область применения	
Часть I. Устройства для средств переднего и бокового обзора	
2. Определения	
3. Заявка на официальное утверждение	
4. Маркировка	
5. Официальное утверждение	
6. Требования	
7. Модификация типа устройства для средств обеспечения переднего и бокового обзора и распространение официального утверждения	
8. Соответствие производства	
9. Санкции, налагаемые за несоответствие производства	
10. Окончательное прекращение производства	
11. Названия и адреса технических служб, ответственных за проведение испытаний для официального утверждения, и органов по официальному утверждению типа	
Часть II. Установка на транспортном средстве средств переднего и бокового обзора или обнаружения	
12. Определения	
13. Заявка на официальное утверждение	
14. Официальное утверждение	
15. Требования	
16. Требования к системе видеокамер переднего и бокового обзора	
17. Требования в отношении систем обнаружения	

¹ Номер Правил станет известен в момент вступления настоящих Правил ООН в силу. Предполагается, что вместо [XXX] будет указан номер правил, после того как он станет известен.

** Номера страниц будут добавлены позднее.

18. Модификация типа транспортного средства и распространение официального утверждения.....
19. Соответствие производства.....
20. Санкции, налагаемые за несоответствие производства.....
21. Окончательное прекращение производства.....
22. Названия и адреса технических служб, ответственных за проведение испытаний для официального утверждения, и органов по официальному утверждению типа.....

Приложения

- 1 Информационный документ для официального утверждения типа устройства для средств переднего и бокового обзора.....
- 2 Информационный документ для официального утверждения типа транспортного средства, оснащаемого средствами переднего и бокового обзора или обнаружения.....
- 3 Сообщение, касающееся предоставления официального утверждения, отказа в официальном утверждении, распространения официального утверждения, отмены официального утверждения или окончательного прекращения производства типа устройства (отдельного технического блока) для средств переднего и бокового обзора....
- 4 Сообщение, касающееся предоставления официального утверждения, отказа в официальном утверждении, распространения официального утверждения, отмены официального утверждения или окончательного прекращения производства типа транспортного средства в отношении средств переднего и бокового обзора или обнаружения.....
Добавление.....
- 5 Схемы знаков официального утверждения устройства для средств переднего и бокового обзора.....
- 6 Метод испытания для определения отражающей способности.....
- 7 Процедура определения радиуса кривизны «г» отражающей поверхности зеркала.....
- 8 Процедура определения точки «Н» и фактического угла наклона туловища сидящего в автомобиле водителя или пассажира.....
Добавление 1 — Описание объемного механизма определения точки «Н» (механизма 3-D H).....
Добавление 2 — Трехмерная система координат.....
Добавление 3 — Контрольные параметры, касающиеся мест для сидения.....
- 9 Методы испытаний в отношении поля переднего и бокового обзора в непосредственной близости.....
- 10 Методы корректировки положения окулярных точек водителя.....
- 11 Пространство мертвой зоны, создаваемой передней стойкой или наружным зеркалом переднего и бокового обзора.....
- 12 Методы проведения испытаний систем обнаружения.....

0. Введение (для информации)

Целью настоящих Правил является обеспечение положений для повышения эффективности предупреждения водителя о присутствии уязвимых участников дорожного движения впереди и по сторонам от транспортного средства до трогания транспортного средства с места. В то время как в Правилах № 46 ООН содержатся положения, касающиеся непрямого обзора автотранспортных средств, настоящие Правила направлены на расширение поля обзора водителя или повышение его осведомленности о ситуации впереди и по сторонам от транспортного средства в момент, предшествующий троганию транспортного средства с места. Поэтому некоторым требованиям настоящих Правил могут отвечать и устройства, соответствующие Правилам № 46 ООН.

1. Область применения

- 1.1 Настоящие Правила применяются:
 - 1.1.1 К официальному утверждению определенных в части I средств переднего и бокового обзора, предназначенных для оборудования ими транспортных средств категорий M₁ и N₁.
 - 1.1.2 К официальному утверждению определенного в части II порядка установки на транспортном средстве устройств переднего и бокового обзора или обнаружения, предназначенных для оборудования ими транспортных средств категорий M₁ и N₁.
 - 1.1.3 По просьбе изготовителя Договаривающиеся стороны могут предоставлять официальные утверждения на основании частей I и II в отношении транспортных средств других категорий и в отношении установки устройств для оснащения этих транспортных средств.
 - 1.1.4 Правила не применяются в отношении систем, предназначенных в первую очередь для оказания помощи при выполнении маневров транспортного средства на стоянке.
- 1.2 По решению органа по официальному утверждению типа транспортные средства, в случае которых установка средств переднего и бокового обзора или обнаружения несовместима с их использованием в дорожных условиях, могут быть частично или полностью исключены из сферы охвата настоящих Правил.
- 1.3 Если на транспортном средстве имеется несколько соответствующих устройств, то изготовитель может конкретно указать устройство, отвечающее положениям настоящих Правил ООН.

Часть I — Устройства для средств переднего и бокового обзора

2. Определения

Для целей настоящих Правил ООН:

- 2.1 “Устройства для средств переднего и бокового обзора или обнаружения” означают устройства, предназначенные для обеспечения для водителя четкой видимости впереди и по сторонам от транспортного средства в пределах полей обзора, определенных в пункте 15.2, или предназначенные для обнаружения объектов, находящихся в поле обнаружения, определенном в пункте 15.3.

- Этими устройствами могут быть обычные зеркала, система видеокамер для переднего и бокового обзора, системы обнаружения либо другие устройства, имеющие аналогичное предназначение.
- 2.1.1 “Устройство переднего и бокового обзора в непосредственной близости” означает устройство, обеспечивающее поле обзора, определенное в пункте 15.2 настоящих Правил.
- 2.1.2 “Устройства для средств переднего и бокового обзора” означают устройства, которые передают информацию о полях обзора, определенных в пункте 15.2.
- 2.1.2.1 “Система видеокамер переднего и бокового обзора (СВПБО)” означает любую систему, предназначенную для передачи с помощью видеокамеры изображения внешней обстановки и обеспечения четкой видимости впереди и по сторонам от транспортного средства в пределах полей обзора, определенных в пункте 15.2.
- 2.1.2.1.1 “Яркий контраст” означает соотношение яркости какого-либо объекта и его непосредственного фона/окружения, позволяющее выделить данный объект на этом фоне/на фоне его окружения. Данное определение соответствует определению, содержащемуся в стандарте ISO 9241-302:2008.
- 2.1.2.1.2 “Разрешающая способность” означает мельчайший элемент, видимый при помощи перцепционной системы, т.е. воспринимаемый как отдельная деталь общего целого. Разрешающая способность человеческого глаза называется “остротой зрения”.
- 2.1.2.1.3 “Видимый спектр” означает световые волны, длина которых находится в пределах границ восприятия человеческого глаза: 380–780 нм.
- 2.1.2.2 “Зеркало переднего и бокового обзора в непосредственной близости” означает любое устройство, за исключением таких устройств, как перископы, предназначенное для обеспечения с помощью отражающей поверхности четкой видимости впереди и сбоку (по сторонам от) транспортного средства в пределах полей обзора, определенных в пункте 2.1.4 и описанных в пункте 15.2.
- 2.1.2.2.1 “ r ” означает среднее значение радиусов кривизны, измеренных по отражающей поверхности в соответствии с методом, описанным в приложении 7.
- 2.1.2.2.2 “Основные радиусы кривизны в одной точке отражающей поверхности (r_j)” означают величины, полученные с использованием прибора, определенного в приложении 7, и измеренные по дуге отражающей поверхности, проходящей через центр этой поверхности параллельно сегменту b, определенному в пункте 6.1.2.1.2 настоящих Правил, и по дуге, перпендикулярной этому сегменту.
- 2.1.2.2.3 “Радиус кривизны в одной точке отражающей поверхности (r_p)” означает среднее арифметическое основных радиусов кривизны r_1 и r_1' , т.е.:
- $$r_p = \frac{r_1 + r_1'}{2}$$
- 2.1.2.2.4 “Сферическая поверхность” означает поверхность, имеющую постоянный и одинаковый радиус во всех направлениях.
- 2.1.2.2.5 “Несферическая поверхность” означает поверхность, имеющую постоянный радиус лишь в одной плоскости.
- 2.1.2.2.6 “Несферическое зеркало” означает зеркало, состоящее из сферической и несферической частей, в котором должен быть обозначен переход

отражающей поверхности от сферической к несферической части. Кривизну основной оси зеркала определяют в системе координат x/y в зависимости от радиуса основной сферической поверхности по формуле:

$$y = R - \sqrt{(R^2 - x^2) + k(x - a)^3},$$

где:

R — номинальный радиус в сферической части,

k — постоянная для изменения кривизны,

a — постоянная для сферической величины основной сферической поверхности.

- 2.1.2.2.7 “*Центр отражающей поверхности*” означает центр видимого участка отражающей поверхности.
- 2.1.2.2.8 “*Радиус кривизны составных элементов зеркала*” означает радиус “ c ” дуги окружности, которая в наибольшей степени приближается к кривизне рассматриваемого элемента.
- 2.1.2.3 “*Другие устройства для средств переднего и бокового обзора*” означают устройства, определенные в пунктах 2.1.2.1–2.1.2.2.8 выше, поле обзора которых обеспечивается без использования зеркала или СВПО.
- 2.1.3 “*Испытательный объект*” означает объект цилиндрической формы высотой 1,0 м и диаметром 0,30 м.
- 2.1.4 “*Поле обзора*” означает часть трехмерного пространства над уровнем земли, которая просматривается напрямую при помощи устройства непрямого обзора. Если не оговорено иное, то оно определяется обзором, обеспечиваемым тем(и) или иным(и) устройством и/или устройствами, помимо зеркал. Поле обзора может быть ограничено соответствующим расстоянием, на котором может быть обнаружен испытательный объект.
- 2.1.5 “*Система обнаружения*” означает систему, которая с помощью сигналов позволяет водителю обнаруживать объекты в зоне, прилегающей к транспортному средству.
- 2.1.5.1 “*Акустическая информация*” означает информацию в виде звуковых сигналов, поступающих от системы обнаружения, определенной в пункте 2.1.5 выше, и позволяющих водителю обнаруживать объекты в зоне, прилегающей к транспортному средству.
- 2.1.5.2 “*Оптическая информация*” означает информацию в виде оптических сигналов, поступающих от системы обнаружения, определенной в пункте 2.1.5 выше, и позволяющих водителю обнаруживать объекты в зоне, прилегающей к транспортному средству.
- 2.1.5.3 “*Тактильная информация*” означает информацию в виде тактильных сигналов, поступающих от системы обнаружения, определенной в пункте 2.1.5 выше, и позволяющих водителю обнаруживать объекты в зоне, прилегающей к транспортному средству.
- 2.1.6 “*Поле обнаружения*” означает часть трехмерного пространства над уровнем земли, которая просматривается при помощи системы обнаружения.
- 2.2 “*Тип устройства для средств переднего и бокового обзора или обнаружения*” означает устройства, не имеющие между собой различий в отношении следующих существенных характеристик:
- a) конструкции устройства, в том числе средств крепления к кузову, если таковые имеются;

- b) в случае зеркал: формы, размеров и радиуса кривизны отражающей поверхности зеркала;
- c) в случае СВПО: поля обзора, увеличения;
- d) в случае систем обнаружения: типа датчика, типа информационного сигнала.

3. Заявка на официальное утверждение

- 3.1 Заявка на официальное утверждение типа устройства для средств переднего и бокового обзора подается держателем торгового наименования или товарного знака либо его надлежащим образом уполномоченным представителем.
- 3.2 Образец информационного документа приведен в приложении 1.
- 3.3 Применительно к каждому типу устройства для средств переднего и бокового обзора к заявке прилагают три образца элементов.
- 3.4 Изготовитель указывает устройство(а), которое(ые) представлено(ы) на официальное утверждение на основании настоящих Правил ООН.

4. Маркировка

- 4.1 На образцы устройств для средств переднего и бокового обзора, представленные на официальное утверждение, наносят торговое наименование или товарный знак изготовителя; эта маркировка должна быть четкой и нестираемой.
- 4.2 На каждом устройстве для средств переднего и бокового обзора (по крайней мере на одном из основных компонентов) должно быть достаточно места для нанесения знака официального утверждения, который должен быть удобочитаемым; это место указывают на чертежах, упомянутых в приложении 1. Кроме того, знак официального утверждения должен быть видимым, когда устройство установлено на транспортном средстве. На другие компоненты устройства наносят средства идентификации. В случае ограниченности места для знака(ов) официального утверждения предусматривают другие средства идентификации, обеспечивающие отсылку к знаку официального утверждения.

5. Официальное утверждение

- 5.1 Если образцы, представленные на официальное утверждение, отвечают требованиям пункта 6 настоящих Правил, то в отношении данного типа устройства для средств переднего и бокового обзора предоставляется официальное утверждение.
- 5.2 Каждому официально утвержденному типу присваивается номер официального утверждения, первые две цифры которого (в настоящее время 00) указывают серию поправок, включающих самые последние основные технические изменения, внесенные в Правила к моменту предоставления официального утверждения. Одна и та же Договаривающаяся сторона не может присвоить этот номер другому типу устройства для средств переднего и бокового обзора.
- 5.3 Стороны Соглашения, применяющие настоящие Правила, уведомляются об официальном утверждении, отказе в официальном утверждении, распространении или отмене официального утверждения либо об окончательном прекращении производства того или иного типа

- устройства для средств переднего и бокового обзора на основании настоящих Правил посредством карточки, соответствующей образцу, приведенному в приложении 3 к настоящим Правилам.
- 5.4 По крайней мере на один из основных компонентов каждого устройства для средств переднего и бокового обзора, соответствующего типу, официально утвержденному на основании настоящих Правил, помимо знака, предписанного в пункте 4.1 выше, и в указанном в пункте 4.2 выше месте наносят хорошо видимый международный знак официального утверждения, состоящий из:
- 5.4.1 круга с проставленной в нем буквой “E”, за которой следуют:
- отличительный номер страны, предоставившей официальное утверждение¹; и
 - номер настоящих Правил, за которым следуют буква “R”, тире и номер официального утверждения.
- 5.5 Знак официального утверждения и дополнительное(ые) обозначение(я) должны быть четкими и нестираемыми.
- 5.6 В приложении 5 к настоящим Правилам приведен образец схемы знака официального утверждения и дополнительного обозначения, упомянутых выше.

6. Требования

- 6.1 Зеркала переднего и бокового обзора в непосредственной близости
- 6.1.1 Общие технические требования
- 6.1.1.1 Места расположения всех зеркальных поверхностей, соответствующих настоящим Правилам, должны быть закреплены на кузове транспортного средства таким образом, чтобы при направлении на них взгляда водителя обеспечивалось поле зрения.
- 6.1.2 Особые технические требования
- 6.1.2.1 Размеры
- 6.1.2.1.1 Контуры отражающей поверхности должны иметь простую геометрическую форму, а ее размеры должны быть такими, чтобы зеркало обеспечивало поле обзора, предписанное в пункте 15.2 настоящих Правил ООН.
- 6.1.2.2 Отражающая поверхность и коэффициенты отражения
- 6.1.2.2.1 Отражающая поверхность зеркала должна быть плоской или сферически выпуклой. Внешние зеркала могут оснащаться дополнительным несферическим элементом при условии, что основное зеркало соответствует требованиям, касающимся поля непрямого обзора.
- 6.1.2.2.2 Разница между радиусами кривизны зеркал
- 6.1.2.2.2.1 Разница между r_1 или r'_1 и r_p в каждой исходной точке не должна превышать 0,15 г.
- 6.1.2.2.2.2 Разница между любым из радиусов кривизны (r_{p1} , r_{p2} и r_{p3}) и r не должна превышать 0,15 г.

¹ Отличительные номера Договаривающихся сторон Соглашения 1958 года указаны в приложении 3 к Сводной резолюции о конструкции транспортных средств (СР.3), документ ECE/TRANS/WP.29/78/Rev.6 — <https://unece.org/transport/standards/transport/vehicle-regulations-wp29/resolutions>.

- 6.1.2.2.2.3 Если $r \geq 3000$ мм, то значение 0,15 г, указанное в пунктах 6.1.2.2.2.1 и 6.1.2.2.2.2 выше, заменяют на 0,25 г.
- 6.1.2.2.3 Значение обычного коэффициента отражения, определяемое по методу, описанному в приложении 6, должно составлять не менее 40%.
В случае отражающих поверхностей с изменяемой степенью отражения положение “день” должно обеспечивать возможность распознавания цветов, используемых в дорожной сигнализации. Нормальное значение коэффициента отражения в положении “ночь” должно быть не ниже 4%.
- 6.1.2.2.4 Отражающая поверхность должна сохранять характеристики, предписанные в пункте 6.1.2.2.3 выше, несмотря на продолжительное воздействие неблагоприятных погодных условий при нормальном режиме эксплуатации.

7. Модификация типа устройства для средств обеспечения переднего и бокового обзора и распространение официального утверждения

- 7.1 Любая модификация существующего типа устройства для средств переднего и бокового обзора, включая его крепление к кузову, доводится до сведения органа по официальному утверждению типа, который предоставил официальное утверждение для данного типа устройства для средств переднего и бокового обзора. Этот орган может:
- принять решение в консультации с изготовителем о предоставлении нового официального утверждения типа; или
 - применить процедуру, предусмотренную в пункте 7.1.1 (пересмотр) и, если это применимо, процедуру, предусмотренную в пункте 7.1.2 (распространение).
- 7.1.1 Пересмотр
- Если сведения, зарегистрированные в пакете документации, изменились и орган по официальному утверждению типа считает, что внесенные изменения, скорее всего, не окажут значительного неблагоприятного воздействия и что в любом случае устройство для средств переднего и бокового обзора по-прежнему удовлетворяет предъявляемым требованиям, изменение обозначают как “пересмотр”.
- В этом случае орган по официальному утверждению типа при необходимости издает пересмотренные страницы пакета документации, четко указывая на каждой пересмотренной странице характер изменения и дату переиздания. Считается, что сводный обновленный вариант пакета документации, сопровождаемый подробным описанием изменений, отвечает данному требованию.
- 7.1.2 Распространение
- Изменение обозначают как “распространение”, если помимо изменения данных, зарегистрированных в пакете документации:
- требуются дополнительные проверки или испытания; или
 - изменились какие-либо данные в карточке сообщения (за исключением приложений к ней); или
 - запрашивается официальное утверждение на основании поправок более поздней серии после их вступления в силу.
- 7.2 Подтверждение официального утверждения с указанием внесенных изменений или отказ в официальном утверждении доводят до сведения Сторон Соглашения, применяющих настоящие Правила, в соответствии

с процедурой, определенной в пункте 5.3 выше. Кроме того, соответствующим образом изменяют индексный указатель к пакету документации, прилагаемый к карточке сообщения, с указанием даты самого последнего пересмотра или распространения.

- 7.3 Орган по официальному утверждению типа, распространяющий официальное утверждение, присваивает соответствующий серийный номер каждой карточке сообщения, составленной в связи с таким распространением.

8. Соответствие производства

- 8.1 Процедура проверки соответствия производства должна соответствовать процедурам, описанным в приложении 1 к Соглашению (E/ECE/324-E/ECE/TRANS/505/Rev.3).

- 8.2 Каждое устройство для средств переднего и бокового обзора, официально утвержденное на основании настоящих Правил, должно быть изготовлено таким образом, чтобы оно соответствовало официально утвержденному типу, удовлетворяя требованиям, изложенным в пункте 6 выше.

9. Санкции, налагаемые за несоответствие производства

- 9.1 Официальное утверждение, предоставленное в отношении типа устройства для средств переднего и бокового обзора на основании настоящих Правил, может быть отменено, если не соблюдаются требования, изложенные в пункте 8.1 выше, или если данный тип устройства для средств переднего и бокового обзора не удовлетворяет требованиям, предписанным в пункте 8.2 выше.

- 9.2 Если какая-либо Договаривающаяся сторона Соглашения, применяющая настоящие Правила, отменяет предоставленное ею ранее официальное утверждение, она немедленно уведомляет об этом другие Договаривающиеся стороны, применяющие настоящие Правила, посредством карточки сообщения, в конце которой крупным шрифтом делают отметку "ОФИЦИАЛЬНОЕ УТВЕРЖДЕНИЕ ОТМЕНЕНО" и проставляют подпись и дату.

10. Окончательное прекращение производства

Если держатель официального утверждения полностью прекращает производство того или иного типа устройства для средств переднего и бокового обзора, официально утвержденного на основании настоящих Правил, он информирует об этом орган по официальному утверждению типа, предоставивший официальное утверждение. По получении соответствующего сообщения данный орган информирует об этом другие Договаривающиеся стороны Соглашения, применяющие настоящие Правила, посредством копии карточки официального утверждения, в конце которой крупным шрифтом делают отметку "ПРОИЗВОДСТВО ПРЕКРАЩЕНО" и проставляют подпись и дату.

11. Названия и адреса технических служб, ответственных за проведение испытаний для официального утверждения, и органов по официальному утверждению типа

Договаривающиеся стороны Соглашения, применяющие настоящие Правила, сообщают в Секретариат Организации Объединенных Наций названия и адреса технических служб, уполномоченных проводить испытания для официального утверждения, и органов по официальному утверждению типа, которые предоставляют официальные утверждения и которым надлежит направлять выдаваемые в других странах карточки, подтверждающие официальное утверждение, отказ в официальном утверждении, распространение официального утверждения или отмену официального утверждения.

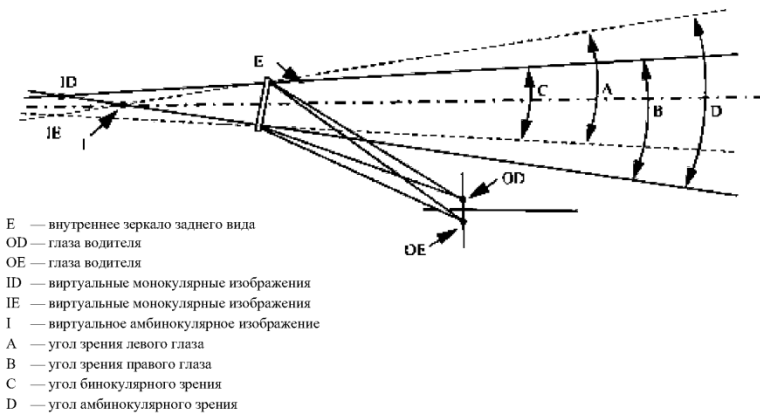
Часть II — Установка на транспортном средстве средств переднего и бокового обзора или обнаружения

12. Определения

Для целей настоящих Правил:

- 12.1 “Окулярные точки водителя” означают две точки, удаленные друг от друга на 65 мм и расположенные на вертикальном расстоянии 635 мм над точкой R, обозначающей сиденье водителя и определенной в приложении 8. Соединяющая их прямая проходит перпендикулярно вертикальной продольной средней плоскости транспортного средства. Середина отрезка, ограниченного двумя окулярными точками, располагается на вертикальной продольной плоскости, которая проходит через центр сиденья водителя, определенного изготовителем транспортного средства.
- 12.2 “Амбинокулярное поле обзора” означает совокупное поле обзора, получаемое наложением монокулярных полей зрения правого глаза и левого глаза (см. рис. 1 ниже).

Рис. 1
Поля монокулярного зрения



- 12.3 “Тип транспортного средства в отношении предупреждения водителя о присутствии уязвимых участников дорожного движения в непосредственной близости впереди и по сторонам от транспортного средства” означает автотранспортные средства, не имеющие между собой различий в отношении следующих основных аспектов:
- 12.3.1 типа средств переднего и бокового обзора или обнаружения;
 - 12.3.2 характеристик кузова, ограничивающих поле обзора;
 - 12.3.3 координат точки R (когда это применимо);
 - 12.3.4 предписанных положений и маркировки официального утверждения типа обязательных и факультативных (в случае их установки) оптических устройств непрямого обзора.
- 12.4 “Окулярная исходная точка” означает точку, расположенную посередине между окулярными точками водителя.
- 12.5 “Тип средства переднего и бокового обзора или обнаружения” означает средства переднего и бокового обзора или обнаружения, не имеющие между собой различий в отношении следующих существенных характеристик:
- a) типа устройства переднего и бокового обзора или обнаружения;
 - b) средства переднего и бокового обзора или обнаружения.
- 12.6 “Электронная система” означает систему, работа которой зависит от таких электродинамических переменных, как мощность, напряжение или сила тока, и состоящую из нескольких блоков, характеризующихся различными соотношениями между входными и выходными процессами, и подключенными друг к другу.

13. Заявка на официальное утверждение

- 13.1 Заявка на официальное утверждение типа транспортного средства в отношении установки средств переднего и бокового обзора или обнаружения подается изготовителем транспортного средства либо его надлежащим образом уполномоченным представителем.
- 13.2 Образец информационного документа приведен в приложении 2.
- 13.3 Технической службе, ответственной за проведение испытаний на официальное утверждение, передается транспортное средство, являющееся репрезентативным для типа транспортного средства, подлежащего официальному утверждению.
- 13.4 Прежде чем предоставить официальное утверждение типа, орган по официальному утверждению проверяет наличие удовлетворительных мер по обеспечению эффективного контроля за соответствием производства.
- 13.5 Податель заявки прилагает к СВПО следующие документы:
- a) техническую спецификацию СВПО;
 - b) руководство по эксплуатации.

14. Официальное утверждение

- 14.1 Если тип транспортного средства, представленный на официальное утверждение в соответствии с пунктом 13 выше, удовлетворяет требованиям пункта 15 настоящих Правил, то в отношении данного типа транспортного средства предоставляется официальное утверждение.

- 14.2 Каждому официально утвержденному типу присваивается номер официального утверждения, первые две цифры которого (в настоящее время 00) указывают серию поправок, включающих самые последние основные технические изменения, внесенные в Правила к моменту предоставления официального утверждения. Одна и та же Договаривающаяся сторона не может присвоить этот номер другому типу транспортного средства.
- 14.3 Стороны Соглашения, применяющие настоящие Правила, уведомляются об официальном утверждении, отказе в официальном утверждении, распространении или отмене официального утверждения в отношении того или иного типа транспортного средства на основании настоящих Правил ООН посредством карточки, соответствующей образцу, приведенному в приложении 4 к настоящим Правилам ООН.

15. Требования

15.1 Общие положения

Для целей настоящих Правил ООН транспортное средство должно отвечать нижеследующим требованиям.

Транспортное средство должно быть оборудовано по крайней мере одним средством обеспечения обзора или предупреждения.

Должна быть предусмотрена возможность включения по запросу водителя любых средств, задействующих одну или несколько электронных систем (например, системы камер обзора, системы обнаружения).

Сочетание средств обзора обеспечивает передний и боковой обзор в непосредственной близости согласно определению, содержащемуся в пункте 15.2. Эти средства выбираются из следующего набора:

- a) прямой обзор;
- b) устройства, официально утвержденные в соответствии с Правилами ООН № 46 ООН с поправками серии 04;
- c) зеркало переднего и бокового обзора в непосредственной близости, соответствующее положениям настоящих Правил; и
- d) система видеокамер переднего и бокового обзора (СВПБО) в непосредственной близости, соответствующая положениям настоящих Правил.

Сочетание средств предупреждения должно обеспечивать предоставление информации относительно поля обнаружения, определенного в пункте 15.3. К числу возможных средств относятся:

Эти средства должны представлять собой системы обнаружения, соответствующие положениям настоящих Правил ООН.

15.2 Поле переднего и бокового обзора в непосредственной близости

Поле обзора (см. рис. 2 ниже) ограничивается следующими плоскостями:

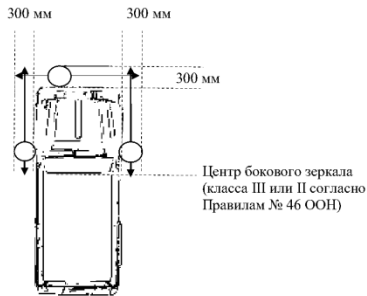
- a) поперечной вертикальной плоскостью, проходящей через точку, удаленную на 300 мм от боковых контуров транспортного средства;
- b) поперечной горизонтальной плоскостью, проходящей через точку, удаленную на 300 мм от переднего контура транспортного средства;

- с) зонами, расположенными впереди от центров боковых зеркал со стороны сиденья водителя и со стороны сиденья пассажира. Если транспортное средство оборудовано системой СВМ, соответствующей Правилам № 46 ООН с поправками серии 04, то изготовитель должен проанализировать такое же транспортное средство, оборудованное боковыми зеркалами, или использовать центры объективов видеокамер системы СВМ класса III или II вместо центров боковых зеркал.

Контур определяется проекцией внешней формы транспортного средства на поверхность земли, на которой может разместиться испытательный объект, определенный в приложении 9 к настоящим Правилам (стойка диаметром 300 мм). Незначительные неровности внешней формы не учитываются.

Рис. 2

Поле переднего и бокового обзора в непосредственной близости



15.2.1 Требования

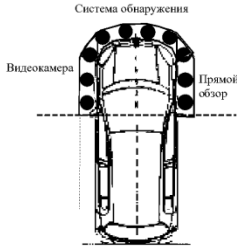
При проведении испытаний в соответствии с методом, описанным в приложении 9, испытательный объект должен быть обнаружен:

- 15.2.1.1 посредством прямого обзора при амбинокулярном наблюдении из скорректированных окулярных точек водителя или при бинокулярном наблюдении из скорректированной окулярной исходной точки, полученных с помощью методов, описанных в приложении 10;
- 15.2.1.2 с помощью устройства непрямого обзора (зеркала или СВМ либо иного устройства), официально утвержденного на основании Правил № 46 ООН; или
- 15.2.1.3 с помощью устройства обеспечения непрямого обзора впереди и по сторонам (зеркала или системы видеокамеры либо иного устройства), соответствующего настоящим Правилам; или
- 15.2.1.4 с помощью устройства системы обнаружения; либо
- 15.2.1.5 с помощью сочетания средств, описанных в пунктах 15.2.1.1–15.2.1.4 и указанных изготовителем.
- 15.2.2 Допускается перекрытие зон использования различных средств (см. примеры на рис. 3).
- 15.2.3 Изготовитель должен сообщить технической службе, какое средство используется для той или иной зоны, чтобы техническая служба могла соответствующим образом настроить испытательное оборудование. Данная информация заносится в протокол испытания.

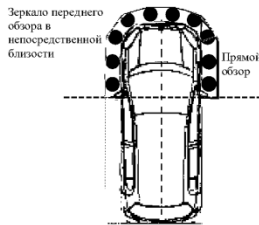
Рис. 3

Примеры зон использования каждого из средств (для правостороннего движения)

а) В случае прямого обзора, использования системы обнаружения, СВПБО.



б) В случае прямого обзора и использования зеркала.



15.2.4 Особые требования в отношении СВПБО и требования к системе обнаружения

15.2.4.1 Необходимо предусмотреть возможность легкого включения СВПБО и системы обнаружения в тот момент, когда переключатель передач находится в нестатичном или нейтральном режиме.

15.2.4.2 СВПБО или система обнаружения, которая не позволяет одновременно охватить все поле обзора средств для предупреждения водителя, должна предоставлять возможность легко получить доступ к просмотру интересующей зоны в результате действий водителя.

Должна быть предусмотрена возможность легкого включения СВПБО или системы обнаружения. Если сочетание этих систем не позволяет охватить все поле зрения, то они должны по меньшей мере предоставлять возможность просмотра интересующей водителя зоны.

15.2.5 Поле переднего и бокового обзора в непосредственной близости определяется с помощью амбинокулярного наблюдения из скорректированных окулярных точек водителя, при этом положении глаз соответствуют окулярные точки водителя, определенные в пункте 12.1, или с помощью бинокулярного наблюдения из скорректированной окулярной исходной точки. Поля обзора определяют на транспортном средстве в снаряженном состоянии, установленном в Сводной резолюции о конструкции транспортных средств (СР.3) (ECE/TRANS/WP.29/78/Rev.6, пункт 2.2.5.4), а для транспортных средств категорий M₁ и N₁ дополнительно используется один пассажир (весом 75 кг), сидящий на переднем сиденье. Если определяется поле обзора сквозь окна, то общий коэффициент пропускания света остеклением должен соответствовать положениям приложения 24 к Правилам № 43 ООН с поправками серии 04.

15.2.6 В случае зеркал, состоящих из нескольких отражающих поверхностей, которые либо имеют различную кривизну, либо лежат в разных плоскостях, по крайней мере одна из этих отражающих поверхностей должна обеспечивать поле обзора и иметь размеры, предписанные для того класса, к которому эти зеркала относятся.

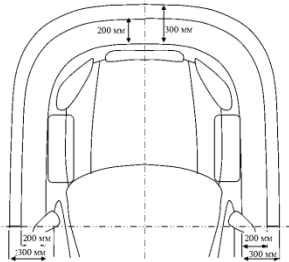
15.3 Поле обнаружения

Поле обнаружения ограничивается следующими криволинейными поверхностями и плоскостями (см. рис. 4):

- a) вертикальной криволинейной поверхностью, проходящей через точку, удаленную на 200 мм от переднего контура транспортного средства;
- b) вертикальной криволинейной поверхностью, проходящей через точку, удаленную на 300 мм от переднего контура транспортного средства;
- c) зонами, расположенными впереди от центров боковых зеркал со стороны сиденья водителя и со стороны сиденья пассажира между поверхностями, определенными в подпунктах a) и b). Если транспортное средство оборудовано системой СВМ, соответствующей Правилам № 46 ООН с поправками серии 04, то изготовитель должен проанализировать такое же транспортное средство, оборудованное боковыми зеркалами, или использовать центры объективов видеокамер системы СВМ класса III или II вместо центров боковых зеркал.

Контур определяется проекцией внешней формы транспортного средства на поверхность земли, на которой может разместиться испытательный объект, определенный в приложении 9 к настоящим Правилам (стойка диаметром 300 мм). Незначительные неровности внешней формы не учитываются.

Рис. 4
Поле обнаружения



15.3.1 При проведении испытаний в соответствии с методом, описанным в приложении 12, требование в отношении поля обнаружения считается выполненным, если водителю представляется информация, указанная в пункте 17.2.

15.4 Устройства для средств переднего и бокового обзора или обнаружения

15.4.1 Размещение

15.4.1.1 Устройства для средств переднего и бокового обзора или обнаружения размещаются таким образом, чтобы водитель, сидящий на своем месте в обычном положении, при вождении имел свободный обзор дороги впереди и сбоку (по сторонам) от транспортного средства.

- 15.4.1.2 Для любого транспортного средства, на котором во время измерения поля обзора или обнаружения был/не был установлен кузов, минимальная и максимальная рекомендуемая ширина, высота и длина кузова должны указываться изготовителем и при необходимости обозначаться временными габаритными планками. Все принимаемые во внимание в ходе испытаний конфигурации транспортных средств и устройств для средств переднего и бокового обзора или обнаружения указываются в свидетельстве об официальном утверждении транспортного средства в отношении установки устройств для средств переднего и бокового обзора или обнаружения (см. приложение 4). Указываемая информация включает сведения, касающиеся диапазона различных монтажных положений этих устройств (по длине, ширине и высоте).
- 15.4.1.3 Устройства для средств переднего и бокового обзора или обнаружения не должны выступать за внешние габариты кузова транспортного средства больше, чем это необходимо для выполнения требований, касающихся полей обзора или полей обнаружения.
- 15.4.1.4 Устройства для средств переднего и бокового обзора или обнаружения должны быть прочно закреплены таким образом, чтобы при перемещении они значительно не изменяли измеренное поле обзора или обнаружения и в случае вибрации не давали искаженного изображения, что могло бы привести к неправильному восприятию водителем. Электропроводка этих устройств не должна выводиться на поверхность транспортного средства.
- 15.5 Исключение мертвых зон
- Пространство мертвой зоны, создаваемой передней стойкой или наружным зеркалом заднего обзора, которое удовлетворяет условиям, описанным в приложении 11 к настоящим Правилам, исключается из поля зрения или обнаружения.

16. Требования к системе видеокамер переднего и бокового обзора

- 16.1 Включение системы
- Транспортное средство должно быть оборудовано специальными устройствами, позволяющими водителю включать и отключать систему.
- Если обеспечить надлежащее функционирование системы невозможно, то либо происходит ее автоматическое отключение, либо водитель должен иметь возможность отключить систему вручную.
- 16.2 Вид по умолчанию
- В режиме “вид по умолчанию” поле обзора СВПБО должно соответствовать по меньшей мере части поля обзора согласно определению, содержащемуся в пункте 15.2.
- Когда водитель дает команду на включение системы СВПБО, она должна по умолчанию отображать вид вперед и сбоку (по сторонам).
- 16.2.1 Регулировка яркости и контрастности
- Если предусмотрена ручная настройка, то в руководстве по эксплуатации должна быть представлена информация о том, как изменить яркость/контрастность.
- 16.2.2 Требования к наложению изображения в пределах требуемого поля обзора

- Путем наложения изображения может отображаться только связанная с вождением визуальная информация, относящаяся к обстановке впереди или сбоку (по сторонам), либо информация, касающаяся безопасности. Наложение изображения для иных информационных целей в требуемом поле обзора запрещено.
- 16.3 **Корректировка вида**
 Отображаемый видеокамерой вид впереди и сбоку (по сторонам) может меняться в результате действий водителя или автоматически без его участия.
- 16.4 **Операционная готовность (эксплуатационная доступность системы)**
 Информация о том, что система находится в неактивном состоянии, должна подаваться водителю (например, при отказе СВПБО информация может подаваться, в частности, в виде предупреждающего сигнала, отображаемой на дисплее информации, черного экрана, отсутствия индикатора состояния). В руководстве по эксплуатации должны содержаться разъяснения относительно предъявляемой водителю информации.
- 16.5 **Монитор внутри транспортного средства**
 При наблюдении из окулярной исходной точки монитор должен просматриваться без каких-либо помех. Допускается проведение виртуального испытания.
- 16.5.1 **Помехи для прямого обзора с места водителя, создаваемые в результате установки устройства непрямого обзора, должны быть сведены к минимуму.**
- 16.6 **Транспортные средства могут быть оборудованы дополнительными устройствами непрямого обзора.**
- 16.7 **Независимо от положений, изложенных выше, безопасность конструкции любого другого типа должна быть продемонстрирована к удовлетворению технической службы с учетом концепции безопасности в соответствии с изложенными выше положениями.**
- 16.8 **Магнитные или электрические поля не должны отрицательным образом влиять на эффективность СВПБО. Это предписание считается выполненным, если соблюдаются технические требования и переходные положения поправок серии 05 или поправок любой иной более поздней серии к Правилам № 10 ООН.**

17. Требования в отношении систем обнаружения

- 17.1 **Включение системы**
 Транспортное средство оснащается специальными устройствами, позволяющими водителю включать и отключать эту систему.
 Если обеспечить надлежащее функционирование системы невозможно, то либо происходит ее автоматическое отключение, либо водитель должен иметь возможность отключить систему вручную.
- 17.2 **Водительский интерфейс и стратегия предъявления информации**
- 17.2.1 **Система должна обеспечивать возможность подачи для водителя по меньшей мере двух видов информационных сигналов из числа следующих: звукового, оптического или тактильного.**
- 17.2.1.1 **При условии активации одного информационного сигнала водитель может деактивировать другие информационные сигналы.**

- 17.2.2 Акустическая информация
Если водитель дал соответствующую команду на включение, то в случае обнаружения объекта впереди и сбоку (по сторонам) в горизонтальной зоне, описанной в пункте 1.3 приложения 12, должна предьявляться акустическая информация.
- 17.2.3 Продолжительность подачи сигнала
Подача сигнала осуществляется до тех пор, пока наличие объекта фиксируется датчиками, и заканчивается в момент прекращения обнаружения объекта либо при отключении системы.
Через определенное время подача акустического сигнала может автоматически временно приостанавливаться при условии, что система остается включенной.
- 17.2.4 Оптическая информация
Если в каком-либо общем пространстве, используемом для предьявления иной информации, помимо оптической (например, на модульном дисплее измерительных устройств или на других дисплеях), выводится оптическая информация, то допускается наложение изображений, соответствующее требованиям в отношении системы видеокамеры, которые изложены в пункте 16.2.2 настоящих Правил.
- 17.2.5 Операционная готовность (эксплуатационная доступность системы)
Информация о том, что система находится в неактивном состоянии, должна подаваться водителю (например, при отказе системы обнаружения информация может подаваться, в частности, в виде предупреждающего сигнала, отображаемой на дисплее информации, черного экрана, отсутствия индикатора состояния). В руководстве по эксплуатации должны содержаться разъяснения относительно предьявляемой водителю информации.
- 17.3 Магнитные или электрические поля не должны отрицательным образом влиять на эффективность системы обнаружения. Это предписание считается выполненным, если соблюдаются технические требования и переходные положения поправок серии 05 или поправок любой иной более поздней серии к Правилам № 10 ООН.

18. Модификация типа транспортного средства и распространение официального утверждения

- 18.1 Любая модификация типа транспортного средства доводится до сведения органа по официальному утверждению типа, который предоставил официальное утверждение для данного типа транспортного средства. Этот орган может:
- a) принять решение в консультации с изготовителем о предоставлении нового официального утверждения типа; или
 - b) применить процедуру, предусмотренную в пункте 18.1.1 (пересмотр) и, если это применимо, процедуру, предусмотренную в пункте 18.1.2 (распространение).
- 18.1.1 Пересмотр
Если сведения, зарегистрированные в пакете документации, изменились и орган по официальному утверждению типа считает, что внесенные изменения, скорее всего, не окажут значительного неблагоприятного воздействия и что в любом случае транспортное средство по-прежнему удовлетворяет предьявляемым требованиям, изменение обозначают как "пересмотр".

- В этом случае орган по официальному утверждению типа при необходимости издает пересмотренные страницы пакета документации, четко указывая на каждой пересмотренной странице характер изменения и дату переиздания. Считается, что сводный обновленный вариант пакета документации, сопровождаемый подробным описанием изменения, отвечает данному требованию.
- 18.1.2 **Распространение**
- Изменения обозначают как “распространение”, если помимо изменения данных, зарегистрированных в пакете документации:
- требуются дополнительные проверки или испытания; или
 - изменились какие-либо данные в карточке сообщения (за исключением приложений к ней); или
 - запрашивается официальное утверждение на основании поправок более поздней серии после их вступления в силу.
- 18.2 **Подтверждение официального утверждения с указанием внесенных изменений или отказ в официальном утверждении доводят до сведения Сторон Соглашения, применяющих настоящие Правила, посредством карточки, соответствующей образцу, приведенному в приложении 4 к настоящим Правилам. Кроме того, соответствующим образом изменяют индексный указатель к пакету документации, прилагаемый к карточке сообщения, с указанием даты самого последнего пересмотра или распространения.**
- 18.3 **Орган по официальному утверждению типа, распространяющий официальное утверждение, присваивает соответствующий серийный номер каждой карточке сообщения, составленной в связи с таким распространением.**

19. Соответствие производства

- 19.1 **Процедура проверки соответствия производства должна соответствовать процедурам, описанным в приложении 1 к Соглашению (E/ECE/324-E/ECE/TRANS/505/Rev.3).**
- 19.2 **Каждое транспортное средство, официально утвержденное на основании настоящих Правил, должно быть изготовлено таким образом, чтобы оно соответствовало официально утвержденному типу, удовлетворяя требованиям, изложенным в пункте 15 выше, а также, в соответствующих случаях, в пункте 16 и пункте 17 выше.**

20. Санкции, налагаемые за несоответствие производства

- 20.1 **Официальное утверждение, предоставленное в отношении какого-либо типа транспортного средства на основании настоящих Правил, может быть отменено, если не соблюдаются требования пункта 19.1 выше или если данное транспортное средство не прошло проверочных испытаний, предписанных в пункте 19.2 выше.**
- 20.2 **Если какая-либо Договаривающаяся сторона Соглашения, применяющая настоящие Правила, отменяет предоставленное ею ранее официальное утверждение, она немедленно уведомляет об этом другие Договаривающиеся стороны, применяющие настоящие Правила, посредством карточки официального утверждения, в конце которой крупным шрифтом делают отметку “ОФИЦИАЛЬНОЕ УТВЕРЖДЕНИЕ ОТМЕНЕНО” и проставляют подпись и дату.**

21. Окончательное прекращение производства

Если держатель официального утверждения полностью прекращает производство того или иного типа транспортного средства, официально утвержденного на основании настоящих Правил, он информирует об этом орган по официальному утверждению типа, предоставивший официальное утверждение. По получении соответствующего сообщения данный орган информирует об этом другие Договаривающиеся стороны Соглашения, применяющие настоящие Правила, посредством копии карточки официального утверждения, в конце которой крупным шрифтом делают отметку “ПРОИЗВОДСТВО ПРЕКРАЩЕНО” и проставляют подпись и дату.

22. Названия и адреса технических служб, ответственных за проведение испытаний для официального утверждения, и органов по официальному утверждению типа

Договаривающиеся стороны Соглашения, применяющие настоящие Правила, сообщают в Секретариат Организации Объединенных Наций названия и адреса технических служб, уполномоченных проводить испытания для официального утверждения, и органов по официальному утверждению типа, которые предоставляют официальные утверждения и которым надлежит направлять выдаваемые в других странах карточки, подтверждающие официальное утверждение, отказ в официальном утверждении, распространение официального утверждения или отмену официального утверждения.

Приложение 1

Информационный документ для официального утверждения типа устройства для средств переднего и бокового обзора

В тех случаях, когда это применимо, указанная ниже информация представляется в трех экземплярах, включая содержание.

Любые чертежи должны представляться в надлежащем масштабе и в достаточно подробном виде на листах формата А4 или кратного ему формата.

Фотографии, если они имеются, должны достаточно четко передавать соответствующие детали.

1. Марка (торговое наименование изготовителя):
2. Тип и общее(ие) коммерческое(ие) описание(я):
3. Средства идентификации типа, если на устройстве имеется соответствующая маркировка:
4. Категория транспортного средства, для которого предназначено данное устройство:
5. Наименование и адрес изготовителя:
6. Место и способ проставления знака официального утверждения на зеркалах переднего и бокового обзора в непосредственной близости:
- 6.1 Другие средства идентификации с ссылкой к знаку официального утверждения для зеркал переднего и бокового обзора в непосредственной близости:
7. Адрес(а) сборочного(ых) предприятия(й):
8. Зеркала (указать по каждому зеркалу):
- 8.1 Вариант
- 8.2 Чертеж(и) для идентификации зеркала:
- 8.3 Подробное описание метода крепления:

Приложение 2

Информационный документ для официального утверждения типа транспортного средства, оснащаемого средствами переднего и бокового обзора или обнаружения

В тех случаях, когда это применимо, указанная ниже информация представляется в трех экземплярах, включая содержание.

Любые чертежи должны представляться в надлежащем масштабе и в достаточно подробном виде на листах формата А4 или кратного ему формата.

Фотографии, если они имеются, должны достаточно четко передавать соответствующие детали.

Общие положения

1. Марка (торговое наименование изготовителя):
2. Тип и общее(ие) коммерческое(ие) описание(я):
3. Средства идентификации типа, если на устройстве имеется соответствующая маркировка:
4. Место нанесения этой маркировки:
5. Категория транспортного средства:
6. Наименование и адрес изготовителя:
7. Адрес(а) сборочного(ых) предприятия(й):

Общие характеристики конструкции транспортного средства

8. Фотография(и) и/или чертеж(и) репрезентативного транспортного средства:
9. Место водителя: слева/справа¹
- 9.1 Транспортное средство оборудовано для эксплуатации в условиях правостороннего/левостороннего движения¹
10. Диапазон габаритов транспортного средства (общих):
- 10.1 Для шасси без кузова
- 10.1.1 Ширина²:
- 10.1.1.1 Максимальная допустимая ширина:

¹ Испуэное вычеркнуть.

² “Общая ширина” транспортного средства означает габарит, измеряемый в соответствии с термином № 6.2 стандарта ISO 612-1978. В случае транспортных средств, не относящихся к категории М1, в дополнение к положениям, содержащимся в этом стандарте, при измерении ширины транспортного средства не учитываются следующие приспособления:

- a) устройства наложения таможенных печатей и пломб и запорно-предохранительные устройства;
- b) приспособления для крепления брезента и предохраняющие их устройства;
- c) сигнализаторы падения давления в шинах;
- d) выступающие гибкие элементы брызговиков;
- e) осветительное оборудование;
- f) в случае автобусов наклонные ступеньки в рабочем положении, подъемные платформы и аналогичное оборудование в рабочем положении при условии, что они не выступают более чем на 10 мм от боковой стороны транспортного средства, а передние или задние углы наклонной ступеньки имеют радиус закругления не менее 5 мм; радиус закругления краев должен составлять не менее 2,5 мм;

- 10.1.1.2 Минимальная допустимая ширина:
- 10.1.2 Длина:
- 10.1.2.1 Максимальная допустимая длина:
- 10.1.2.2 Минимальная допустимая длина:
- 10.1.3 Высота:
- 10.1.3.1 Максимальная допустимая высота:
- 10.1.3.2 Минимальная допустимая высота:
- 10.2 Для шасси с кузовом:
- 10.2.1 Ширина²
- 10.2.2 Длина
- 10.2.3 Высота
- 11. Кузов
- 11.1 Средства переднего и бокового обзора или обнаружения: прямой обзор; устройства, официально утвержденные на основании Правил № 46 ООН; зеркало переднего и бокового обзора в непосредственной близости, соответствующее настоящим Правилам; СВПБО, соответствующая настоящим Правилам; система обнаружения, соответствующая настоящим Правилам.
- 11.1.1 Прямой обзор
- 11.1.1.1 Чертеж(и)/фотография(и), показывающие область прямого обзора по отношению к конструкции транспортного средства:
- 11.1.2 Устройства, официально утвержденные на основании Правил № 46 ООН
- 11.1.2.1 Номер(а) официального утверждения типа устройства (устройств), официально утвержденного(ых) на основании Правил № 46 ООН:
- 11.1.2.2 Класс(ы) зеркал и устройств непрямого обзора (I, II, III, IV, V, VI)¹
- 11.1.2.3 Чертеж(и), указывающий(ие) местоположение устройства (устройств) по отношению к конструкции транспортного средства:
- 11.1.3 Зеркало переднего и бокового обзора в непосредственной близости, соответствующее настоящим Правилам
- 11.1.3.1 Чертеж(и), указывающий(ие) местоположение зеркала по отношению к конструкции транспортного средства:
- 11.1.3.2 Подробное описание метода(ов) крепления, включая элемент конструкции транспортного средства, к которому крепится зеркало:
- 11.1.3.3 Факультативное оборудование, которое может повлиять на поле переднего и бокового обзора:
- 11.1.3.4 Краткое описание электронных компонентов устройства регулировки (если таковые имеются):
- 11.1.4 СВПБО, соответствующая настоящим Правилам
- 11.1.4.1 Чертеж(и)/фотография(и), показывающие местоположение видеокамеры (видеокамер) по отношению к конструкции транспортного средства:

g) устройства непрямого обзора;
 h) индикаторы давления в шинах;
 i) убирающиеся подножки;
 j) деформирующаяся часть боковин шины непосредственно над точкой соприкосновения с дорогой.

- 11.1.4.2 Чертеж(и)/фотография(и), показывающие схему расположения монитора(ов), включая окружающие внутренние элементы:
- 11.1.4.3 Чертеж(и)/фотография(и), показывающие просматриваемость монитора(ов) с места водителя:
- 11.1.4.4 Чертеж(и)/фотография(и), показывающие схему расположения и отображение на мониторе требуемого поля обзора:
- 11.1.4.5 Подробное описание метода(ов) крепления, включая элемент конструкции транспортного средства, к которому крепится СВПБО:
- 11.1.4.6 Факультативное оборудование, которое может повлиять на поле переднего и бокового обзора:
- 11.1.4.7 Краткое описание электронных компонентов устройства регулировки (если таковые имеются):
- 11.1.4.8 Технические спецификации и руководство по эксплуатации СВПБО:
- 11.1.5 Система обнаружения, соответствующая настоящим Правилам
- 11.1.5.1 Чертеж(и)/фотография(и), показывающие местоположение датчика(ов) по отношению к конструкции транспортного средства:
- 11.1.5.2 Информационный сигнал: звуковой, оптический, тактильный.
- 11.1.5.3 Технические спецификации и руководство по эксплуатации системы обнаружения.
- 12. Устройство(а), представленное(ые) на официальное утверждение на основании настоящих Правил:

Приложение 3

Сообщение, касающееся предоставления официального утверждения, отказа в официальном утверждении, распространения официального утверждения, отмены официального утверждения или окончательного прекращения производства типа устройства (отдельного технического блока) для средств переднего и бокового обзора

(Максимальный формат: А4 (210 × 297 мм))



направленное:

Название административного органа:

.....

касающееся²: предоставления официального утверждения
 распространения официального утверждения
 отказа в официальном утверждении
 отмены официального утверждения
 окончательного прекращения производства

типа устройства (отдельного технического блока) для средств переднего и бокового обзора на основании Правил № xxx ООН

Официальное утверждение № Распространение №

1. Торговое наименование или товарный знак устройства:
2. Наименование, присвоенное типу устройства изготовителем:
3. Название и адрес изготовителя:
4. В соответствующих случаях фамилия и адрес представителя изготовителя:
5. Дата представления на официальное утверждение:
6. Техническая служба, ответственная за проведение испытаний на официальное утверждение:
7. Дата протокола, выданного этой службой:
8. Номер протокола, выданного этой службой:
9. Краткое описание:
 Идентификация устройства: зеркало, СВПБО, другое устройство²
10. Расположение знака официального утверждения:
11. Причина(ы) распространения официального утверждения (если применимо):
12. Официальное утверждение предоставлено/в официальном утверждении отказано/официальное утверждение распространено/официальное утверждение отменено²:

¹ Отличительный номер страны, которая предоставила/распространила/отменила официальное утверждение/отказала в официальном утверждении (см. положения настоящих Правил, касающиеся официального утверждения).

² Ненужное вычеркнуть.

13. Место:
14. Дата:
15. Подпись:
16. Перечень документов, которые были переданы органу по официальному утверждению типа, предоставившему официальное утверждение, содержится в приложении к настоящему сообщению и может быть получен по запросу.

Приложение 4

Сообщение, касающееся предоставления официального утверждения, отказа в официальном утверждении, распространения официального утверждения, отмены официального утверждения или окончательного прекращения производства типа транспортного средства в отношении средств переднего и бокового обзора или обнаружения

(Максимальный формат: A4 (210 × 297 мм))



направленное:

Название административного органа:

.....

касающиеся²: предоставления официального утверждения
 распространения официального утверждения
 отказа в официальном утверждении
 отмены официального утверждения
 окончательного прекращения производства

типа транспортного средства в отношении средств переднего и бокового обзора или обнаружения на основании Правил № xxx ООН

Официальное утверждение №: Распространение №:

1. Марка (торговое наименование изготовителя):
2. Тип и общее(ие) коммерческое(ие) описание(я):
3. Средства идентификации типа, если на устройстве имеется соответствующая маркировка:
- 3.1 Место нанесения этой маркировки:
4. Категория транспортного средства: (M₁, N₁)²
5. Наименование и адрес изготовителя:
6. Адрес(а) производственного(ых) предприятия(ий):
7. Дополнительная информация: (при наличии). См. добавление
8. Техническая служба, ответственная за проведение испытаний:
9. Дата протокола испытания:
10. Номер протокола испытания:
11. Замечания: (при наличии). См. добавление
12. Место:
13. Дата:
14. Подпись:

¹ Отличительный номер страны, которая предоставила/распространила/отменила официальное утверждение/отказала в официальном утверждении (см. положения настоящих Правил, касающиеся официального утверждения).

² Непужное вычеркнуть.

15. К настоящему сообщению прилагается индексный указатель информационного пакета, который был передан органу по официальному утверждению типа, предоставившему официальное утверждение, и может быть получен по запросу.

Приложение 4 — Добавление

Добавление к карточке сообщения об официальном утверждении типа № ..., касающееся официального утверждения транспортного средства в отношении средств переднего и бокового обзора или обнаружения на основании Правил № xxx ООН.

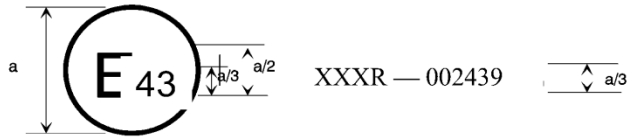
1. Торговое наименование или товарный знак средств переднего и бокового обзора или обнаружения и номер официального утверждения типа соответствующего компонента (если это применимо):
2. Средства переднего и бокового обзора или обнаружения: прямой обзор; устройства, официально утвержденные на основании Правил № 46 ООН; зеркало переднего и бокового обзора в непосредственной близости, соответствующее настоящим Правилам; СВПБО, соответствующая настоящим Правилам; система обнаружения, соответствующая настоящим Правилам¹.
3. Распространение официального утверждения типа транспортного средства, охватывающее следующие средства переднего и бокового обзора или обнаружения
4. Данные для определения точки R места водителя:
5. Максимальная и минимальная ширина, длина и высота кузова, на основании которых предоставлено официальное утверждение типа средства переднего и бокового обзора или обнаружения
6. К настоящему свидетельству прилагаются следующие документы, в которых указан приведенный выше номер официального утверждения типа (если это применимо):
 - a) чертежи с указанием мест установки устройств для средств переднего и бокового обзора или обнаружения
 - b) чертежи и планы с указанием места (мест) установки и характеристик элементов конструкции, на которой установлены устройства для средств переднего и бокового обзора или обнаружения
 - c) чертежи и планы с указанием визуальных помех, влияющих на передний и боковой обзор, например элементов салона, остекления и проч.
7. Замечания: (например, для правостороннего движения/левостороннего движения¹)

Приложение 5

Схемы знаков официального утверждения устройства для средств переднего и бокового обзора

(см. пункт 5.4 настоящих Правил)

$a = 5 \text{ мм мин.}$



Приведенный выше знак официального утверждения, проставленный на устройстве для средств переднего и бокового обзора, указывает, что данное устройство является основным устройством переднего и бокового обзора в непосредственной близости, которое официально утверждено в Японии (E 43) на основании Правил № xxx ООН под номером официального утверждения 002439. Первые две цифры номера официального утверждения указывают, что официальное утверждение было предоставлено в соответствии с требованиями Правил № xxx ООН в их первоначальном варианте.

Примечание: Номер официального утверждения и дополнительное обозначение помещаются рядом с кругом и проставляются либо над/под буквой “E”, либо слева/справа от этой буквы. Цифры номера официального утверждения располагаются с той же стороны по отношению к букве “E” и ориентируются в том же направлении. Дополнительное обозначение располагается с диаметрально противоположной стороны от номера официального утверждения. Следует избегать использования римских цифр для номеров официального утверждения, с тем чтобы не перепутать их с другими обозначениями.

Приложение 6

Метод испытания для определения отражающей способности

1. Определения
 - 1.1 Стандартное осветительное средство МКО A¹: колориметрическое осветительное средство, соответствующее полному излучателю при $T_{68} = 2855,6$ К.
 - 1.1.2 Стандартный источник МКО A¹: лампа с вольфрамовой нитью в газовой атмосфере, работающая при цветовой температуре, близкой к $T_{68} = 2855,6$ К.
 - 1.1.3 Стандартный колориметрический наблюдатель МКО (1931 год)¹: наблюдатель, для которого функции сложения цветов совпадают со $\bar{x}(\lambda)$, $\bar{y}(\lambda)$, $\bar{z}(\lambda)$ значениями спектральных координат цвета (см. таблицу).
 - 1.1.4 Спектральные координаты цвета МКО¹: координаты цвета в системе МКО (XYZ), монохроматические элементы равноэнергетического спектра.
 - 1.1.5 Дневное зрение¹: зрение обычного глаза, адаптировавшегося к уровням освещения по крайней мере в несколько кл/м².
2. Оборудование
 - 2.1 Общие положения

Оборудование включает источник света, штатив для закрепления образца, приемник с фотоэлементом и индикатор (см. рис. 1), а также средства, необходимые для устранения влияния постороннего света.

Для облегчения изменения коэффициента отражения неплоских (выпуклых) зеркал приемное устройство может включать шар Ульбрихта (см. рис. 2).
 - 2.2 Спектральные характеристики источника света и приемного устройства

Источник света представляет собой стандартный источник МКО A, соединенный с оптической системой, позволяющей получить пучок практически параллельных световых лучей. Для поддержания постоянного напряжения лампы в течение всего времени функционирования оборудования рекомендуется предусмотреть стабилизатор напряжения.

Приемное устройство состоит из фотоэлемента, спектральная чувствительность которого пропорциональна функции дневной освещенности для стандартного колориметрического наблюдателя МКО (1931 год) (см. таблицу). Допускается также любое другое сочетание осветительное средство — фильтр — приемное устройство, обеспечивающее общий эквивалент стандартного осветительного средства МКО A и дневного зрения. Если приемное устройство включает шар Ульбрихта, то внутренняя поверхность шара должна быть покрыта слоем матовой (рассеивающей) и спектрально неизбирательной белой краски.

¹ Определения позаимствованы из публикации МКО 50 (45) "Международный электротехнический словарь", группа 45 "Освещение".

2.3 Геометрические условия

Пучок падающих лучей должен образовывать с перпендикуляром к испытательной поверхности угол (Θ), равный приблизительно $0,44 \pm 0,09$ рад ($25 \pm 5^\circ$); этот угол не должен превышать верхнего предела допуска (т. е. $0,53$ рад или 30°). Ось приемного устройства должна образовывать угол (Θ), равный углу, образуемому пучком падающих лучей с этим перпендикуляром (см. рис. 1). Диаметр падающего пучка лучей на испытательной поверхности должен составлять не менее 13 мм ($0,5$ дюйма). Отраженный пучок не должен быть шире чувствительной поверхности фотоэлемента, не должен покрывать менее 50% этой поверхности и, по возможности, должен покрывать ту же часть поверхности, что и пучок, используемый для градуирования данного прибора.

Если приемное устройство включает шар Ульбрихта, то его минимальный диаметр должен составлять 127 мм (5 дюймов). Размеры отверстий в стенке шара для образца и падающего пучка должны быть достаточными для того, чтобы полностью пропустить падающие и отраженные световые пучки. Фотоэлемент устанавливают таким образом, чтобы не принимать непосредственно свет падающего или отраженного пучка.

2.4 Электрические характеристики комплекса фотоэлемент-индикатор

Мощность фотоэлемента, получаемая на индикаторе, должна представлять собой линейную функцию силы света светочувствительной поверхности. Для упрощения установки на ноль и градуировки градуирования надлежит предусмотреть соответствующие средства (электрические и/или оптические). Эти средства не должны оказывать влияния на линейность или спектральные характеристики прибора. Точность комплекса приемное устройство — индикатор должна находиться в пределах $\pm 2\%$ полной шкалы или $\pm 10\%$ измеряемой величины в зависимости от того, какая из этих величин является меньшей.

2.5 Штатив для образца

Механизм должен позволять устанавливать испытуемый образец таким образом, чтобы ось кронштейна источника и ось кронштейна приемного устройства пересекались на уровне отражающей поверхности. Эта отражающая поверхность может находиться в пределах любой из плоскостей образца зеркала или на одной из этих плоскостей в зависимости от того, идет ли речь о зеркале с первой или со второй отражающей поверхностью либо о призматическом зеркале типа "флип".

3. Процедура

3.1 Метод прямого градуирования

При прямом градуировании исходным используемым эталоном является воздух. Этот метод применяют для приборов, изготовленных таким образом, чтобы можно было производить градуирование всей шкалы, ориентируя приемное устройство непосредственно на ось источника света (см. рис. 1).

Этот метод позволяет в некоторых случаях (например, для измерения поверхности со слабой отражающей способностью) устанавливать точку промежуточного градуирования (между 0 или 100% шкалы). В этом случае в оптическую траекторию помещают фильтр нейтральной плотности с известным коэффициентом пропускания и регулируют систему градуирования до тех пор, пока индикатор не покажет процент передачи, соответствующей фильтру нейтральной плотности. Перед

началом проведения замеров отражающей способности этот фильтр необходимо снять.

3.2 Метод косвенного градуирования

Этот метод градуирования применяют к приборам, у которых источник света и принимающее устройство имеют установленную геометрическую форму. Для использования этого метода необходим соответствующим образом градуированный и технически исправный эталон отражения. Эталон должен по возможности представлять собой плоское зеркало, коэффициент отражения которого как можно более близок к коэффициенту отражения испытуемых образцов.

3.3 Измерения на плоском зеркале

Коэффициент отражения образцов плоского зеркала может быть измерен при помощи приборов, действующих по принципу либо прямого, либо косвенного градуирования. Значение коэффициента отражения считывается непосредственно со шкалы индикатора прибора.

3.4 Измерения на неплоском (выпуклом) зеркале

Измерение коэффициента отражения неплоских (выпуклых) зеркал предполагает необходимость использования приборов, в приемном устройстве которых имеется шар Ульбрихта (см. рис. 2). Если прибор считывания с шара с эталонным зеркалом, имеющим коэффициент отражения $E\%$, дает n_e делений, то с неизвестным зеркалом число делений n_x будет соответствовать коэффициенту отражения $X\%$, получаемому по формуле:

$$X = E \frac{n_x}{n_e}$$

Рис. 1
Общая схема оборудования для измерения отражающей способности двумя методами градуирования

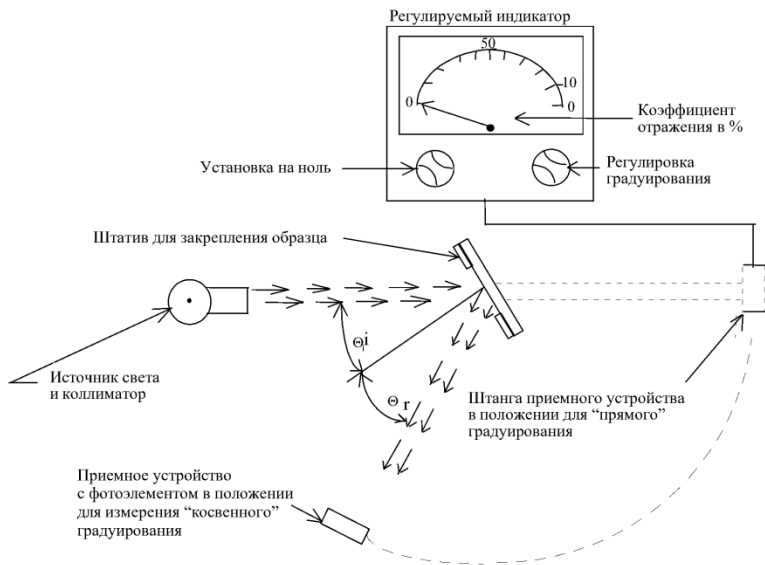
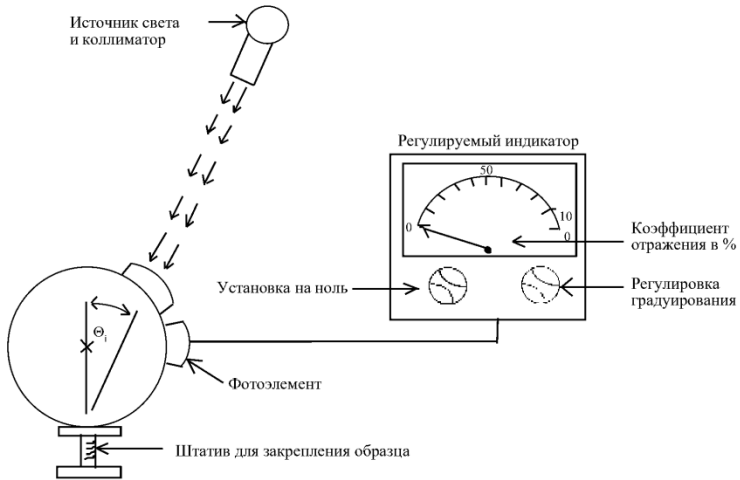


Рис. 2

Общая схема оборудования для измерения отражающей способности с использованием в приемном устройстве шара Ульбрихта



4. Значения спектральных координат цвета стандартного колориметрического наблюдателя МКО (1931 год)¹

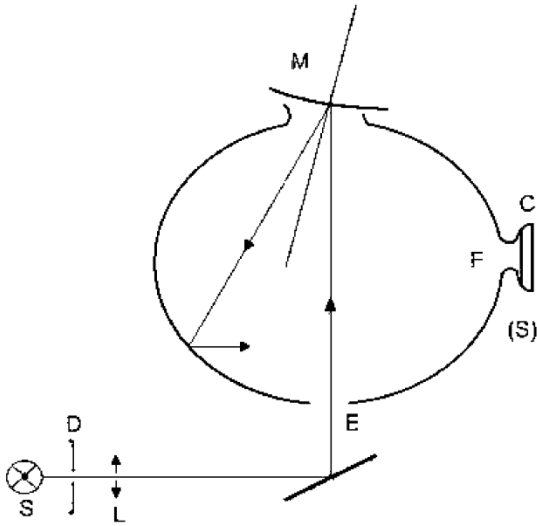
Эта таблица представляет собой выдержку из публикации МКО 50 (45) (1970 год)

λ nm	$\bar{x}(\lambda)$	$\bar{y}(\lambda)$	$\bar{z}(\lambda)$
380	0,001 4	0,000 0	0,006 5
390	0,004 2	0,000 1	0,020 1
400	0,014 3	0,000 4	0,067 9
410	0,043 5	0,001 2	0,207 4
420	0,134 4	0,004 0	0,645 6
430	0,283 9	0,011 6	1,385 6
440	0,348 3	0,023 0	1,747 1
450	0,336 2	0,038 0	1,772 1
460	0,290 8	0,060 0	1,669 2
470	0,195 4	0,091 0	1,287 6
480	0,095 6	0,139 0	0,813 0
490	0,032 0	0,208 0	0,465 2
500	0,004 9	0,323 0	0,272 0
510	0,009 3	0,503 0	0,158 2
520	0,063 3	0,710 0	0,078 2
530	0,165 5	0,862 0	0,042 2
540	0,290 4	0,954 0	0,020 3
550	0,433 4	0,995 0	0,008 7
560	0,594 5	0,995 0	0,003 9
570	0,762 1	0,952 0	0,002 1
580	0,916 3	0,870 0	0,001 7
590	1,026 3	0,757 0	0,001 1
600	1,062 2	0,631 0	0,000 8
610	1,002 6	0,503 0	0,000 3
620	0,854,4	0,381 0	0,000 2
630	0,642 4	0,265 0	0,000 0
640	0,447 9	0,175 0	0,000 0
650	0,283 5	0,107 0	0,000 0
660	0,164 9	0,061 0	0,000 0
670	0,087 4	0,032 0	0,000 0
680	0,046 8	0,017 0	0,000 0
690	0,22 7	0,008 2	0,000 0
700	0,011 4	0,004 1	0,000 0
710	0,005 8	0,002 1	0,000 0
720	0,02 9	0,001 0	0,000 0
730	0,001 4	0,000 5	0,000 0
740	0,000 7	0,000 2 (*)	0,000 0
750	0,000 3	0,000 1	0,000 0
760	0,000 2	0,000 1	0,000 0
770	0,000 1	0,000 0	0,000 0
780	0,000 0	0,000 0	0,000 0

(*) Изменено в 1966 году (с 3 на 2).

¹ Сокращенная таблица. Значения величин $\bar{y}(\lambda) = V(\lambda)$ округлены до четырех знаков после запятой.

Рис. 3
 Пример устройства для измерения коэффициента отражения сферических
 зеркал



- C — приемное устройство
- D — диафрагма
- E — окно входа
- F — окно измерения
- L — линза
- M — окно для предмета
- S — источник света
- (S) — светомерный шар

Приложение 7

Процедура определения радиуса кривизны “r” отражающей поверхности зеркала

1. Измерение
 - 1.1 Оборудование

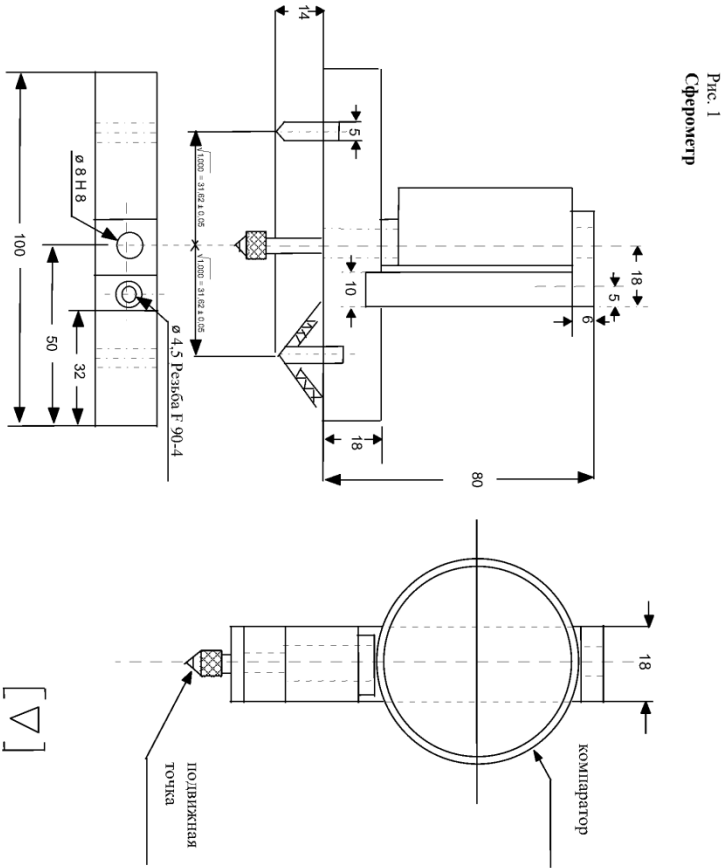
Используют прибор, называемый “сферометром”, аналогичный прибору, показанному на рис. 1 настоящего приложения, и имеющий указанные расстояния между копирующим пальцем круговой шкалы и закрепленными стойками барьера.
 - 1.2 Точки измерения
 - 1.2.1 Измерение основных радиусов кривизны производят в трех точках, расположенных как можно ближе к одной трети, одной второй и двум третям дуги отражающей поверхности, проходящей через центр зеркала и параллельной сегменту b, либо перпендикулярной ей дуги, проходящей через центр зеркала, если эта дуга длиннее.
 - 1.2.2 Если же размеры отражающей поверхности зеркала не позволяют сделать замеры в направлениях, указанных в пункте 2.1.2.2.2 настоящих Правил, то технические службы, уполномоченные проводить испытания, могут провести замеры в этой точке в двух перпендикулярных направлениях, расположенных как можно ближе к направлениям, предписанным выше.
2. Расчет радиуса кривизны “r”

“r”, выраженное в мм, рассчитывают по формуле:

$$r = \frac{r_p 1 + r_p 2 + r_p 3}{3},$$

где:

- $r_p 1$ — радиус кривизны в первой точке измерения,
- $r_p 2$ — радиус кривизны во второй точке измерения,
- $r_p 3$ — радиус кривизны в третьей точке измерения.



(все размеры в миллиметрах)

Приложение 8

Процедура определения точки “Н” и фактического угла наклона туловища сидящего в автомобиле водителя или пассажира¹

Добавление 1 — Описание объемного механизма определения точки “Н” (механизма 3-D Н)¹

Добавление 2 — Трехмерная система координат¹

Добавление 3 — Контрольные параметры, касающиеся мест для сидения¹

Приложение 9

Методы испытаний в отношении поля переднего и бокового обзора в непосредственной близости

Этот метод применяется в зоне, которая указана изготовителем как область, включающая в себя поля обзора средств прямого и непрямого обзора (зеркала или СВПБО).

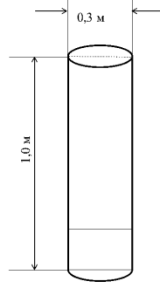
1. Поле обзора

Испытания на соответствие требованиям, предъявляемым к полю обзора согласно пункту 15.2 настоящих Правил, могут проводиться в условиях, изложенных в настоящем приложении.

1.1 Испытательные объекты

Каждый испытательный объект представляет собой прямой круговой цилиндр высотой 1,0 м и наружным диаметром 0,3 м. См. рис. 1.

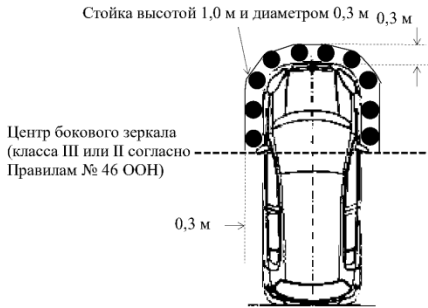
Рис. 1
Испытательный объект



1.2 Расположение и ориентация испытательных объектов

Испытательный объект должен соприкасаться с передней и боковыми сторонами транспортного средства от центра зеркала со стороны пассажира до центра зеркала со стороны водителя, и он должен быть видимым в поле переднего и бокового обзора в непосредственной близости. Если транспортное средство оборудовано СВМ, соответствующей Правилам № 46 ООН с поправками серии 04, то изготовитель должен проанализировать такое же транспортное средство, оборудованное боковыми зеркалами, или использовать центры объективов видеокамер системы СВМ класса II вместо центров боковых зеркал.

Рис. 2
Расположение испытательных объектов



1.3 Условия проведения испытания

1.3.1 Условия освещения для СВПБО

Условия окружающего освещения, в которых проводится испытание, характеризуются равномерным распределением от расположенного выше источника света, сила которого, измеренная по центру внешней поверхности крыши транспортного средства, составляет 7 000–10 000 люкс.

По просьбе изготовителя испытание может проводиться в условиях более низкой интенсивности окружающего освещения.

1.3.2 Температурные условия для СВПБО

Температура внутри транспортного средства во время испытания должна находиться в диапазоне от 15 °С до 25 °С.

1.3.3 Состояние транспортного средства

1.3.3.1 Шины

Шины транспортного средства накачивают до рекомендованного изготовителем давления холодной шины.

1.3.3.2 Загрузка транспортного средства

Транспортное средство находится в снаряженном состоянии, определенном в Сводной резолюции о конструкции транспортных средств (СР.3) (ECE/TRANS/WP.29/78/Rev.6, пункт 2.2.5.4), а в случае транспортных средств категорий M₁ и N₁ дополнительно используется один пассажир (весом 75 кг), сидящий на переднем сиденье.

1.3.3.3 Регулируемая подвеска

Если транспортное средство оснащено системой регулирования подвески, то она должна быть установлена из расчета на наилучшее состояние.

1.4 Процедура испытания

Видимость каждой стойки проверяют путем перемещения стойки, соприкасающейся с передней и боковой частью транспортного средства, от центра зеркала со стороны пассажира до центра зеркала со стороны водителя.

Приложение 10

Методы корректировки положения окулярных точек водителя

1. Компенсирование угла наклона спинки сиденья

При проведении испытаний, предусмотренных в пункте 15.2.1.1, положение окулярных точек водителя или окулярной исходной точки корректируют в направлении вперед/назад или вверх/вниз с учетом конкретного компенсационного расстояния, определяемого в зависимости от угла наклона спинки сиденья испытуемого транспортного средства по таблице 1.

Таблица 1
Корректировка с учетом угла наклона спинки сиденья

Угол наклона спинки сиденья [°]	Компенсационное расстояние		Угол наклона спинки сиденья [°]	Компенсационное расстояние	
	Вперед/назад [мм]	Вверх/вниз [мм]		Вперед/назад [мм]	Вверх/вниз [мм]
5	-186	28	23	-18	5
6	-177	27	24	-9	3
7	-167	27	25	0	0
8	-157	27	26	9	-3
9	-147	26	27	17	-5
10	-137	25	28	26	-8
11	-128	24	29	34	-11
12	-118	23	30	43	-14
13	-109	22	31	51	-18
14	-99	21	32	59	-21
15	-90	20	33	67	-24
16	-81	18	34	76	-28
17	-72	17	35	84	-32
18	-62	15	36	92	-35
19	-53	13	37	100	-39
20	-44	11	38	108	-43
21	-35	9	39	115	-48
22	-26	7	40	123	-52

Примечание: Используемые в таблице обозначения: направление вперед/назад (-: вперед, +: назад); направление вверх/вниз (-: вниз, +: вверх).

2. Диапазон компенсирования смещения со стороны пассажира

При проведении испытаний, предусмотренных в пункте 15.2.1.1, чтобы компенсировать смещение окулярных точек (бинокулярного зрения) или окулярной исходной точки водителя, сдвигающегося в направлении вперед/назад, вбок или вверх/вниз с целью осмотреть окружающую обстановку при трогании транспортного средства с места, измерения могут проводиться с учетом корректировки окулярных точек водителя в направлении вперед/назад, вбок или вверх/вниз соответственно, исходя из положения окулярных точек водителя или окулярной исходной точки при условии, что они находятся в пределах диапазона компенсационных расстояний, указанных в каждой из колонок таблицы 2.

Скорректированные окулярные точки водителя или окулярная исходная точка должны располагаться в трехмерном пространстве, включающем в себя следующие четыре точки: окулярные точки водителя, определенные в пункте 12.1, или окулярная исходная точка, определенная в пункте 12.2 настоящих Правил, и окулярные точки водителя или окулярная исходная точка, скорректированные с учетом смещения согласно таблице 2.

Таблица 2
Диапазон компенсирования смещения окулярных точек водителя при изменении положения со стороны пассажира

Измерения в [мм]	Компенсационное расстояние в направлении вперед/назад (+: назад, -: вперед)	Компенсационное расстояние в боковом направлении (+: вправо, -: влево)	Компенсационное расстояние в направлении вверх/вниз (+: вверх, -: вниз)
Окулярные точки при смещении вверх	0	-10	40
Окулярные точки при смещении вперед	-140	-15	10
Окулярные точки при боковом смещении	30	-110	15

Примечание: В данной таблице в случае транспортных средств с левосторонним расположением руля вместо указания “вправо” следует читать “влево”, а вместо указания “влево” следует читать “вправо”.

3. Компенсирование “выглядывания” со стороны водителя

При проведении испытаний, предусмотренных в пункте 15.2.1.1, чтобы компенсировать смещение окулярных точек (бинокулярное зрение) или окулярной исходной точки водителя, сдвигающегося для того, чтобы выглянуть из бокового окна с целью удостовериться в отсутствии уязвимых участников дорожного движения за передним боковым углом, измерения могут проводиться с учетом корректировки окулярных точек водителя или окулярной исходной точки в направлении вперед/назад, вбок или вверх/вниз соответственно, исходя из положения окулярных точек водителя при условии, что они находятся в пределах диапазона компенсационных расстояний, указанных в каждой из колонок таблицы 3.

Скорректированные окулярные точки водителя или окулярная исходная точка должны располагаться в трехмерном пространстве, включающем в себя следующие четыре точки: окулярные точки водителя, определенные в пункте 12.1, или окулярная исходная точка, определенная в пункте 12.2 настоящих Правил, и окулярные точки водителя или окулярная исходная точка, скорректированные с учетом смещения согласно таблице 3.

Таблица 3
Диапазон компенсирования смещения окулярных точек водителя при изменении положения со стороны водителя

Измерения в [мм]	Компенсационное расстояние в направлении вперед/назад (+: назад, -: вперед)	Компенсационное расстояние в боковом направлении (+: вправо, -: влево)	Компенсационное расстояние в направлении вверх/вниз (+: вверх, -: вниз)
“Выглядывание” со смещением вверх со стороны водителя	-100	300	0
“Выглядывание” со смещением вперед со стороны водителя	-200	250	-50

<i>Измерения в [мм]</i>	<i>Компенсационное расстояние в направлении вперед/назад (+: назад, -: вперед)</i>	<i>Компенсационное расстояние в боковом направлении (+: вправо, -: влево)</i>	<i>Компенсационное расстояние в направлении вверх/вниз (+: вверх, -: вниз)</i>
“Выглядывание” с как можно большим смещением наружу со стороны водителя	-50	350	-50

Примечание: В данной таблице в случае транспортных средств с левосторонним расположением руля вместо указания “вправо” следует читать “влево”, а вместо указания “влево” следует читать “вправо”.

Приложение 11

Пространство мертвой зоны, создаваемой передней стойкой или наружным зеркалом заднего и бокового обзора

1. Определения
 - 1.1 “Мертвая зона, создаваемая наружным зеркалом заднего обзора” означает мертвую зону, создаваемую элементом конструкции транспортного средства, который удерживает или защищает наружное зеркало заднего обзора.
 - 1.2 “Мертвая зона, создаваемая передней стойкой” означает мертвую зону, создаваемую элементом конструкции транспортного средства, который расположен впереди от исходной окулярной точки и над плоскостью, лежащей параллельно центру транспортного средства и проходящей через две точки — исходную окулярную точку и самую нижнюю точку прозрачного участка бокового остекления, где поверхность земли может просматриваться сквозь боковое остекление при осмотре пространства слева от транспортного средства из исходной окулярной точки (точка а) (рис. 1). При этом окно, расположенное в той или иной части нижнего участка двери, не считается боковым остеклением.

В случае транспортных средств с левосторонним расположением руля вместо указания “слева” следует читать “справа”.

2. Пространство мертвой зоны

Пространство мертвой зоны, создаваемой передней стойкой или наружным зеркалом заднего обзора, представляет собой область, соответствующую нижеследующей формуле. При этом если имеется более одной мертвой зоны, каждая мертвая зона должна отвечать условиям формулы.

$$X \leq 0,292 \cdot L - 0,203,$$

где:

- X (м) — граница исключаемой зоны, т. е. расстояние между центром цилиндра, соприкасающегося с передним краем мертвой зоны, и центром цилиндра, соприкасающегося с ее задним краем,
- L (м) — находится внутри мертвой зоны, создаваемой передней стойкой или наружным зеркалом заднего обзора. Расстояние между задним краем цилиндра, соприкасающегося с задним краем мертвой зоны, и передним краем заднего колеса.

(См. рис. 2)

Рис. 1
Название рисунка
 (для правостороннего движения)

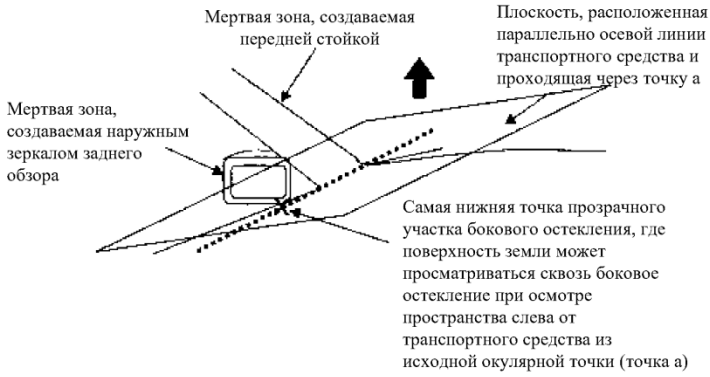
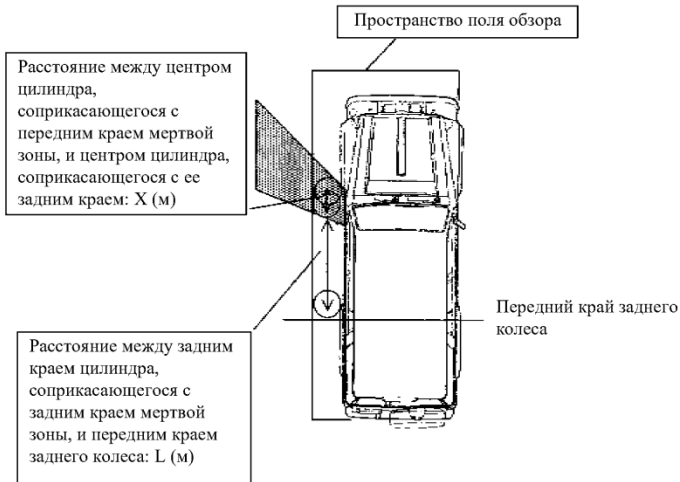


Рис. 2
Название рисунка
 (для правостороннего движения)

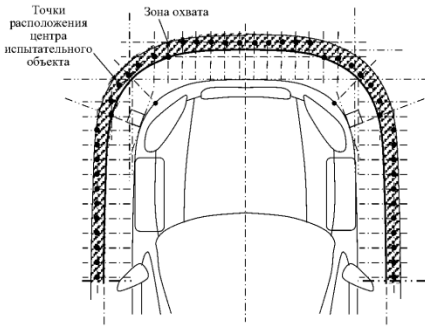


Приложение 12

Методы проведения испытаний систем обнаружения

1. Обнаружение в передней и боковых частях горизонтальной зоны
Системы обнаружения должны отвечать требованиям испытания, указанным в пункте 1.3.1 настоящего приложения.
- 1.1 Условия проведения испытания
Испытательный объект должен отвечать требованиям пункта 7.1 стандарта ISO 17386:2010. Во время испытаний скорость ветра не должна превышать 1 м/с. Температура должна составлять 20 ± 5 °С, а влажность $60 \pm 25\%$. Не должно быть ни дождя, ни снега. Испытание проводят на гладкой сухой асфальтовой или бетонной поверхности. На результаты испытания не должно оказывать влияние отражение звуковых или электромагнитных волн от любых стен, вспомогательного испытательного оборудования или любых других окружающих объектов.
- 1.2 Подготовка испытания
Используют один испытательный объект. Точки размещения испытательного объекта выбираются изготовителем с таким расчетом, чтобы обеспечить обнаружение данного объекта. Испытательный объект размещают в координатной сетке в передней и боковых частях горизонтальной зоны согласно пункту 1.3.1 настоящего приложения. Испытуемое транспортное средство в исходном режиме должно находиться в статичном состоянии. В данном случае статичное состояние означает, что механизм рулевого управления находится в нейтральном положении и в случае транспортных средств с автоматической коробкой передач переключатель режимов переведен в положение Р (“стоянка”), а в случае транспортных средств, оборудованных механической коробкой передач, это означает выбор нейтральной передачи при задействованном стояночном тормозе.
При проведении испытания человек (весом 75 кг) садится на место водителя и, удерживая транспортное средство в неподвижном состоянии, выполняет действие, активирующее систему обнаружения, в соответствии с описанием, предоставленным изготовителем или содержащимся в руководстве пользователя.
- 1.3 Метод испытания
- 1.3.1 Поле обнаружения
Поле обнаружения состоит из трех зон: передней, угловой и боковой. Методы испытаний для передней, угловой и боковой зон описаны в пунктах 1.3.1.1, 1.3.1.2 и 1.3.1.3.
Испытание проводится с испытательным объектом в поле обнаружения, причем до тех пор, пока объект не окажется на первой линии сетки, выходящей за пределы поля обнаружения (см. рис. 1).
Испытание проводят с использованием испытательных объектов, размещенных с интервалом 100 мм, однако для сокращения числа измерений испытание может проводиться с использованием испытательных объектов, размещенных с интервалом 200 мм, при этом если в той или иной ячейке сети объект не будет обнаружен, то испытание проводят в двух соседних ячейках.
Для зон перекрытия, расположенных между сеткой контрольных точек, указанных в пункте 1.3.1.2, и сеткой контрольных точек, указанных в пункте 1.3.1.1 или 1.3.1.3, можно использовать любой из этих методов.

Рис. 1
Поле обнаружения



1.3.1.1 Передняя зона поля обнаружения

Передняя зона поля обнаружения показана на рис. 2.

Значение W_f равно ширине транспортного средства, измеренной вдоль передней оси.

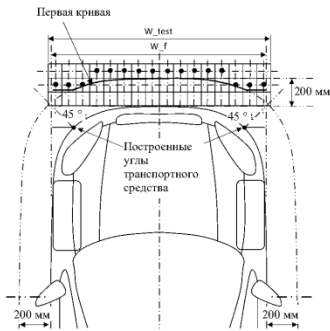
Значение W_{test} равно половине W_f , округленной с точностью до 100 мм, а затем умноженной на два.

От передней части транспортного средства и симметрично относительно его центральной оси строят переднюю зону, протяженность которой составляет W_{test} по ширине транспортного средства и 300 мм в направлении его движения вперед; поверхность дороги в этой зоне размечается сеткой 100 мм x 100 мм.

Затем между двумя построенными углами транспортного средства строят кривую, повторяющую форму контура транспортного средства (вертикальная проекция на поверхность земли, как показано на рис. 2). Кривая строится на расстоянии 200 мм вперед от контура транспортного средства. Чтобы охватить всю ширину транспортного средства (W_{test}) в части, находящейся за пределами построенных углов транспортного средства, кривая дополняется прямыми отрезками, расположенными перпендикулярно центральной оси транспортного средства. См. описание построения углов в пункте 1.3.1.2 ниже. Испытательный объект размещают таким образом, чтобы его центр находился на ближайшем пересечении сетки, расположенном впереди от кривой, в каждом ряду сетки, параллельном центральной оси транспортного средства.

В части, расположенной между двумя виртуальными углами транспортного средства, первая кривая должна повторять контур переднего бампера транспортного средства в проекции сверху, а в части, расположенной за пределами виртуальных углов, она должна представлять собой прямую линию, лежащую перпендикулярно направлению движения вперед.

Рис. 2
Передняя зона поля обнаружения



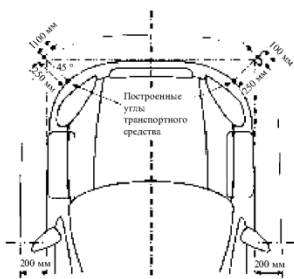
1.3.1.2 Угловые зоны поля обнаружения

Угловые зоны поля обнаружения показаны на рис. 3.

- Вблизи контуров транспортного средства строится прямоугольная рамка;
- из каждого угла этой рамки под углом 45° к транспортному средству строятся линии;
- пересечения этих линий с контурами транспортного средства определяются как углы транспортного средства;
- испытание проводится с каждым из испытательных объектов, размещенных в следующих точках: одна точка расположена на расстоянии 250 мм от одного из углов транспортного средства, отмеряемом вдоль линии, поднимающейся под углом 45° , а две другие точки лежат на расстоянии 100 мм с каждой стороны от первой точки на линии, которая под прямым углом пересекает линию, проходящую под углом 45° .

Аналогичная процедура повторяется для второго угла.

Рис. 3
Угловые зоны поля обнаружения



1.3.1.3 Боковые зоны поля обнаружения

Боковые зоны поля обнаружения показаны на рис. 4.

Значение L_f равно расстоянию от центра бокового зеркала до передней части транспортного средства, измеренному вдоль центральной оси транспортного средства.

Значение L_{test} равно значению L_f , округленному с точностью до 100 мм.

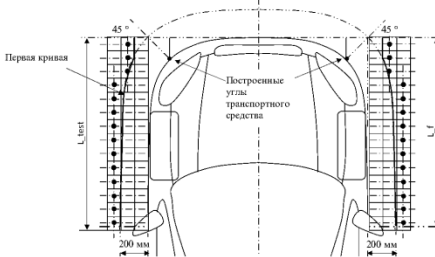
От передней части транспортного средства и симметрично относительно его центральной оси строят параллельную ей прямоугольную боковую зону, протяженность которой составляет L_{test} в продольном направлении транспортного средства и 300 мм по его ширине; поверхность дороги в этой зоне размечается сеткой 100 мм x 100 мм.

Затем строят кривую, повторяющую форму контура транспортного средства (вертикальная проекция на поверхность земли, как показано на рис. 4). Кривая строится на расстоянии 200 мм от контура транспортного средства. Чтобы охватить всю ширину транспортного средства (W_{test}) в части, находящейся за пределами построенных углов транспортного средства, кривая дополняется прямыми отрезками, расположенными перпендикулярно центральной оси транспортного средства.

Испытательный объект размещают таким образом, чтобы его центр находился на ближайшем пересечении сетки, расположенном впереди от кривой, в каждом ряду сетки, параллельном центральной оси транспортного средства.

В части, расположенной впереди от виртуальных углов, первая кривая должна представлять собой прямую линию, параллельную направлению движения вперед, а в части, расположенной позади от виртуальных углов, она должна повторять боковые контуры и контур переднего бампера транспортного средства в проекции сверху.

Рис. 4
Боковые зоны поля обнаружения



1.3.2 Испытание на обнаружение

В поле обнаружения должно быть не более двух последовательно расположенных одна за другой ячеек решетки, в которых не будет обнаружен испытательный объект.

Если подача предупреждающего сигнала происходит непрерывно в течение более 5 секунд, то считается, что испытательный объект обнаружен. С каждым испытательным объектом испытание на обнаружение проводят один раз. Однако по согласованию с технической службой и изготовителем при необходимости можно считать, что испытательный объект обнаружен, если подача предупреждающего сигнала происходит в ходе четырех из пяти испытаний».

<i>DRAFT UNITED NATIONS REGULATION NO. [166]*</i>	<i>PROJET DE RÈGLEMENT DE L'ONU N° [166]</i>
<i>Notification effected on the Secretary-General of the United Nations: 5 December 2022</i>	<i>Notification effectuée le Secrétaire général de l'Organisation des Nations Unies : 5 décembre 2022</i>
*No UNTS volume number has yet been determined for this record.	*Le numéro de volume RTNU n'a pas encore été établie pour ce dossier.
<i>ENTRY INTO FORCE OF UNITED NATIONS REGULATION NO. 166*</i>	<i>ENTRÉE EN VIGUEUR DE RÈGLEMENT DE L'ONU N° 166</i>
<i>Notification effected on the Secretary-General of the United Nations: 8 June 2023</i>	<i>Notification effectuée le Secrétaire général de l'Organisation des Nations Unies : 8 juin 2023</i>
*No UNTS volume number has yet been determined for this record.	*Le numéro de volume RTNU n'a pas encore été établie pour ce dossier.
<i>APPLICATION OF REGULATION*</i>	<i>APPLICATION DU RÈGLEMENT</i>
Albania	Albanie
<i>Notification effected on the Secretary-General of the United Nations: 8 June 2023</i>	<i>Notification effectuée le Secrétaire général de l'Organisation des Nations Unies : 8 juin 2023</i>
<i>Date of effect: 8 June 2023</i>	<i>Date de prise d'effet : 8 juin 2023</i>
<i>Registration with the Secretariat of the United Nations: ex officio, 8 June 2023</i>	<i>Enregistrement auprès du Secrétariat de l'Organisation des Nations Unies : d'office, 8 juin 2023</i>
*No UNTS volume number has yet been determined for this record.	*Le numéro de volume RTNU n'a pas encore été établie pour ce dossier.
<i>APPLICATION OF REGULATION*</i>	<i>APPLICATION DU RÈGLEMENT</i>
Armenia	Arménie
<i>Notification effected on the Secretary-General of the United Nations: 8 June 2023</i>	<i>Notification effectuée le Secrétaire général de l'Organisation des Nations Unies : 8 juin 2023</i>
<i>Date of effect: 8 June 2023</i>	<i>Date de prise d'effet : 8 juin 2023</i>
<i>Registration with the Secretariat of the United Nations: ex officio, 8 June 2023</i>	<i>Enregistrement auprès du Secrétariat de l'Organisation des Nations Unies : d'office, 8 juin 2023</i>
*No UNTS volume number has yet been determined for this record.	*Le numéro de volume RTNU n'a pas encore été établie pour ce dossier.

APPLICATION OF REGULATION*

Australia

Notification effected on the Secretary-General of the United Nations: 8 June 2023

Date of effect: 8 June 2023

Registration with the Secretariat of the United Nations: ex officio, 8 June 2023

*No UNTS volume number has yet been determined for this record.

APPLICATION OF REGULATION*

Austria

Notification effected on the Secretary-General of the United Nations: 8 June 2023

Date of effect: 8 June 2023

Registration with the Secretariat of the United Nations: ex officio, 8 June 2023

*No UNTS volume number has yet been determined for this record.

APPLICATION OF REGULATION*

Azerbaijan

Notification effected on the Secretary-General of the United Nations: 8 June 2023

Date of effect: 8 June 2023

Registration with the Secretariat of the United Nations: ex officio, 8 June 2023

*No UNTS volume number has yet been determined for this record.

APPLICATION DU RÈGLEMENT

Australie

Notification effectuée le Secrétaire général de l'Organisation des Nations Unies : 8 juin 2023

Date de prise d'effet : 8 juin 2023

Enregistrement auprès du Secrétariat de l'Organisation des Nations Unies : d'office, 8 juin 2023

*Le numéro de volume RTNU n'a pas encore été établie pour ce dossier.

APPLICATION DU RÈGLEMENT

Autriche

Notification effectuée le Secrétaire général de l'Organisation des Nations Unies : 8 juin 2023

Date de prise d'effet : 8 juin 2023

Enregistrement auprès du Secrétariat de l'Organisation des Nations Unies : d'office, 8 juin 2023

*Le numéro de volume RTNU n'a pas encore été établie pour ce dossier.

APPLICATION DU RÈGLEMENT

Azerbaïdjan

Notification effectuée le Secrétaire général de l'Organisation des Nations Unies : 8 juin 2023

Date de prise d'effet : 8 juin 2023

Enregistrement auprès du Secrétariat de l'Organisation des Nations Unies : d'office, 8 juin 2023

*Le numéro de volume RTNU n'a pas encore été établie pour ce dossier.

APPLICATION OF REGULATION*

Belarus

Notification effected on the Secretary-General of the United Nations: 8 June 2023

Date of effect: 8 June 2023

Registration with the Secretariat of the United Nations: ex officio, 8 June 2023

*No UNTS volume number has yet been determined for this record.

APPLICATION OF REGULATION*

Belgium

Notification effected on the Secretary-General of the United Nations: 8 June 2023

Date of effect: 8 June 2023

Registration with the Secretariat of the United Nations: ex officio, 8 June 2023

*No UNTS volume number has yet been determined for this record.

APPLICATION OF REGULATION*

Bosnia and Herzegovina

Notification effected on the Secretary-General of the United Nations: 8 June 2023

Date of effect: 8 June 2023

Registration with the Secretariat of the United Nations: ex officio, 8 June 2023

*No UNTS volume number has yet been determined for this record.

APPLICATION DU RÈGLEMENT

Bélarus

Notification effectuée le Secrétaire général de l'Organisation des Nations Unies : 8 juin 2023

Date de prise d'effet : 8 juin 2023

Enregistrement auprès du Secrétariat de l'Organisation des Nations Unies : d'office, 8 juin 2023

*Le numéro de volume RTNU n'a pas encore été établie pour ce dossier.

APPLICATION DU RÈGLEMENT

Belgique

Notification effectuée le Secrétaire général de l'Organisation des Nations Unies : 8 juin 2023

Date de prise d'effet : 8 juin 2023

Enregistrement auprès du Secrétariat de l'Organisation des Nations Unies : d'office, 8 juin 2023

*Le numéro de volume RTNU n'a pas encore été établie pour ce dossier.

APPLICATION DU RÈGLEMENT

Bosnie-Herzégovine

Notification effectuée le Secrétaire général de l'Organisation des Nations Unies : 8 juin 2023

Date de prise d'effet : 8 juin 2023

Enregistrement auprès du Secrétariat de l'Organisation des Nations Unies : d'office, 8 juin 2023

*Le numéro de volume RTNU n'a pas encore été établie pour ce dossier.

APPLICATION OF REGULATION*

Bulgaria

Notification effected on the Secretary-General of the United Nations: 8 June 2023

Date of effect: 8 June 2023

Registration with the Secretariat of the United Nations: ex officio, 8 June 2023

*No UNTS volume number has yet been determined for this record.

APPLICATION OF REGULATION*

Croatia

Notification effected on the Secretary-General of the United Nations: 8 June 2023

Date of effect: 8 June 2023

Registration with the Secretariat of the United Nations: ex officio, 8 June 2023

*No UNTS volume number has yet been determined for this record.

APPLICATION OF REGULATION*

Czech Republic

Notification effected on the Secretary-General of the United Nations: 8 June 2023

Date of effect: 8 June 2023

Registration with the Secretariat of the United Nations: ex officio, 8 June 2023

*No UNTS volume number has yet been determined for this record.

APPLICATION DU RÈGLEMENT

Bulgarie

Notification effectuée le Secrétaire général de l'Organisation des Nations Unies : 8 juin 2023

Date de prise d'effet : 8 juin 2023

Enregistrement auprès du Secrétariat de l'Organisation des Nations Unies : d'office, 8 juin 2023

*Le numéro de volume RTNU n'a pas encore été établie pour ce dossier.

APPLICATION DU RÈGLEMENT

Croatie

Notification effectuée le Secrétaire général de l'Organisation des Nations Unies : 8 juin 2023

Date de prise d'effet : 8 juin 2023

Enregistrement auprès du Secrétariat de l'Organisation des Nations Unies : d'office, 8 juin 2023

*Le numéro de volume RTNU n'a pas encore été établie pour ce dossier.

APPLICATION DU RÈGLEMENT

République tchèque

Notification effectuée le Secrétaire général de l'Organisation des Nations Unies : 8 juin 2023

Date de prise d'effet : 8 juin 2023

Enregistrement auprès du Secrétariat de l'Organisation des Nations Unies : d'office, 8 juin 2023

*Le numéro de volume RTNU n'a pas encore été établie pour ce dossier.

APPLICATION OF REGULATION*

Denmark

Notification effected on the Secretary-General of the United Nations: 8 June 2023

Date of effect: 8 June 2023

Registration with the Secretariat of the United Nations: ex officio, 8 June 2023

*No UNTS volume number has yet been determined for this record.

APPLICATION OF REGULATION*

Egypt

Notification effected on the Secretary-General of the United Nations: 8 June 2023

Date of effect: 8 June 2023

Registration with the Secretariat of the United Nations: ex officio, 8 June 2023

*No UNTS volume number has yet been determined for this record.

APPLICATION OF REGULATION*

Estonia

Notification effected on the Secretary-General of the United Nations: 8 June 2023

Date of effect: 8 June 2023

Registration with the Secretariat of the United Nations: ex officio, 8 June 2023

*No UNTS volume number has yet been determined for this record.

APPLICATION DU RÈGLEMENT

Danemark

Notification effectuée le Secrétaire général de l'Organisation des Nations Unies : 8 juin 2023

Date de prise d'effet : 8 juin 2023

Enregistrement auprès du Secrétariat de l'Organisation des Nations Unies : d'office, 8 juin 2023

*Le numéro de volume RTNU n'a pas encore été établie pour ce dossier.

APPLICATION DU RÈGLEMENT

Égypte

Notification effectuée le Secrétaire général de l'Organisation des Nations Unies : 8 juin 2023

Date de prise d'effet : 8 juin 2023

Enregistrement auprès du Secrétariat de l'Organisation des Nations Unies : d'office, 8 juin 2023

*Le numéro de volume RTNU n'a pas encore été établie pour ce dossier.

APPLICATION DU RÈGLEMENT

Estonie

Notification effectuée le Secrétaire général de l'Organisation des Nations Unies : 8 juin 2023

Date de prise d'effet : 8 juin 2023

Enregistrement auprès du Secrétariat de l'Organisation des Nations Unies : d'office, 8 juin 2023

*Le numéro de volume RTNU n'a pas encore été établie pour ce dossier.

APPLICATION OF REGULATION*

European Union

Notification effected on the Secretary-General of the United Nations: 8 June 2023

Date of effect: 8 June 2023

Registration with the Secretariat of the United Nations: ex officio, 8 June 2023

*No UNTS volume number has yet been determined for this record.

APPLICATION OF REGULATION*

Finland

Notification effected on the Secretary-General of the United Nations: 8 June 2023

Date of effect: 8 June 2023

Registration with the Secretariat of the United Nations: ex officio, 8 June 2023

*No UNTS volume number has yet been determined for this record.

APPLICATION OF REGULATION*

France

Notification effected on the Secretary-General of the United Nations: 8 June 2023

Date of effect: 8 June 2023

Registration with the Secretariat of the United Nations: ex officio, 8 June 2023

*No UNTS volume number has yet been determined for this record.

APPLICATION DU RÈGLEMENT

Union européenne

Notification effectuée le Secrétaire général de l'Organisation des Nations Unies : 8 juin 2023

Date de prise d'effet : 8 juin 2023

Enregistrement auprès du Secrétariat de l'Organisation des Nations Unies : d'office, 8 juin 2023

*Le numéro de volume RTNU n'a pas encore été établie pour ce dossier.

APPLICATION DU RÈGLEMENT

Finlande

Notification effectuée le Secrétaire général de l'Organisation des Nations Unies : 8 juin 2023

Date de prise d'effet : 8 juin 2023

Enregistrement auprès du Secrétariat de l'Organisation des Nations Unies : d'office, 8 juin 2023

*Le numéro de volume RTNU n'a pas encore été établie pour ce dossier.

APPLICATION DU RÈGLEMENT

France

Notification effectuée le Secrétaire général de l'Organisation des Nations Unies : 8 juin 2023

Date de prise d'effet : 8 juin 2023

Enregistrement auprès du Secrétariat de l'Organisation des Nations Unies : d'office, 8 juin 2023

*Le numéro de volume RTNU n'a pas encore été établie pour ce dossier.

APPLICATION OF REGULATION*

Georgia

Notification effected on the Secretary-General of the United Nations: 8 June 2023

Date of effect: 8 June 2023

Registration with the Secretariat of the United Nations: ex officio, 8 June 2023

*No UNTS volume number has yet been determined for this record.

APPLICATION OF REGULATION*

Germany

Notification effected on the Secretary-General of the United Nations: 8 June 2023

Date of effect: 8 June 2023

Registration with the Secretariat of the United Nations: ex officio, 8 June 2023

*No UNTS volume number has yet been determined for this record.

APPLICATION OF REGULATION*

Greece

Notification effected on the Secretary-General of the United Nations: 8 June 2023

Date of effect: 8 June 2023

Registration with the Secretariat of the United Nations: ex officio, 8 June 2023

*No UNTS volume number has yet been determined for this record.

APPLICATION DU RÈGLEMENT

Géorgie

Notification effectuée le Secrétaire général de l'Organisation des Nations Unies : 8 juin 2023

Date de prise d'effet : 8 juin 2023

Enregistrement auprès du Secrétariat de l'Organisation des Nations Unies : d'office, 8 juin 2023

*Le numéro de volume RTNU n'a pas encore été établie pour ce dossier.

APPLICATION DU RÈGLEMENT

Allemagne

Notification effectuée le Secrétaire général de l'Organisation des Nations Unies : 8 juin 2023

Date de prise d'effet : 8 juin 2023

Enregistrement auprès du Secrétariat de l'Organisation des Nations Unies : d'office, 8 juin 2023

*Le numéro de volume RTNU n'a pas encore été établie pour ce dossier.

APPLICATION DU RÈGLEMENT

Grèce

Notification effectuée le Secrétaire général de l'Organisation des Nations Unies : 8 juin 2023

Date de prise d'effet : 8 juin 2023

Enregistrement auprès du Secrétariat de l'Organisation des Nations Unies : d'office, 8 juin 2023

*Le numéro de volume RTNU n'a pas encore été établie pour ce dossier.

APPLICATION OF REGULATION*

Hungary

Notification effected on the Secretary-General of the United Nations: 8 June 2023

Date of effect: 8 June 2023

Registration with the Secretariat of the United Nations: ex officio, 8 June 2023

*No UNTS volume number has yet been determined for this record.

APPLICATION OF REGULATION*

Italy

Notification effected on the Secretary-General of the United Nations: 8 June 2023

Date of effect: 8 June 2023

Registration with the Secretariat of the United Nations: ex officio, 8 June 2023

*No UNTS volume number has yet been determined for this record.

APPLICATION OF REGULATION*

Japan

Notification effected on the Secretary-General of the United Nations: 8 June 2023

Date of effect: 8 June 2023

Registration with the Secretariat of the United Nations: ex officio, 8 June 2023

*No UNTS volume number has yet been determined for this record.

APPLICATION DU RÈGLEMENT

Hongrie

Notification effectuée le Secrétaire général de l'Organisation des Nations Unies : 8 juin 2023

Date de prise d'effet : 8 juin 2023

Enregistrement auprès du Secrétariat de l'Organisation des Nations Unies : d'office, 8 juin 2023

*Le numéro de volume RTNU n'a pas encore été établie pour ce dossier.

APPLICATION DU RÈGLEMENT

Italie

Notification effectuée le Secrétaire général de l'Organisation des Nations Unies : 8 juin 2023

Date de prise d'effet : 8 juin 2023

Enregistrement auprès du Secrétariat de l'Organisation des Nations Unies : d'office, 8 juin 2023

*Le numéro de volume RTNU n'a pas encore été établie pour ce dossier.

APPLICATION DU RÈGLEMENT

Japon

Notification effectuée le Secrétaire général de l'Organisation des Nations Unies : 8 juin 2023

Date de prise d'effet : 8 juin 2023

Enregistrement auprès du Secrétariat de l'Organisation des Nations Unies : d'office, 8 juin 2023

*Le numéro de volume RTNU n'a pas encore été établie pour ce dossier.

APPLICATION OF REGULATION*

Kazakhstan

Notification effected on the Secretary-General of the United Nations: 8 June 2023

Date of effect: 8 June 2023

Registration with the Secretariat of the United Nations: ex officio, 8 June 2023

*No UNTS volume number has yet been determined for this record.

APPLICATION OF REGULATION*

Latvia

Notification effected on the Secretary-General of the United Nations: 8 June 2023

Date of effect: 8 June 2023

Registration with the Secretariat of the United Nations: ex officio, 8 June 2023

*No UNTS volume number has yet been determined for this record.

APPLICATION OF REGULATION*

Lithuania

Notification effected on the Secretary-General of the United Nations: 8 June 2023

Date of effect: 8 June 2023

Registration with the Secretariat of the United Nations: ex officio, 8 June 2023

*No UNTS volume number has yet been determined for this record.

APPLICATION DU RÈGLEMENT

Kazakhstan

Notification effectuée le Secrétaire général de l'Organisation des Nations Unies : 8 juin 2023

Date de prise d'effet : 8 juin 2023

Enregistrement auprès du Secrétariat de l'Organisation des Nations Unies : d'office, 8 juin 2023

*Le numéro de volume RTNU n'a pas encore été établie pour ce dossier.

APPLICATION DU RÈGLEMENT

Lettonie

Notification effectuée le Secrétaire général de l'Organisation des Nations Unies : 8 juin 2023

Date de prise d'effet : 8 juin 2023

Enregistrement auprès du Secrétariat de l'Organisation des Nations Unies : d'office, 8 juin 2023

*Le numéro de volume RTNU n'a pas encore été établie pour ce dossier.

APPLICATION DU RÈGLEMENT

Lituanie

Notification effectuée le Secrétaire général de l'Organisation des Nations Unies : 8 juin 2023

Date de prise d'effet : 8 juin 2023

Enregistrement auprès du Secrétariat de l'Organisation des Nations Unies : d'office, 8 juin 2023

*Le numéro de volume RTNU n'a pas encore été établie pour ce dossier.

APPLICATION OF REGULATION*

Luxembourg

Notification effected on the Secretary-General of the United Nations: 8 June 2023

Date of effect: 8 June 2023

Registration with the Secretariat of the United Nations: ex officio, 8 June 2023

**No UNTS volume number has yet been determined for this record.*

APPLICATION OF REGULATION*

Malaysia

Notification effected on the Secretary-General of the United Nations: 8 June 2023

Date of effect: 8 June 2023

Registration with the Secretariat of the United Nations: ex officio, 8 June 2023

**No UNTS volume number has yet been determined for this record.*

APPLICATION OF REGULATION*

Montenegro

Notification effected on the Secretary-General of the United Nations: 8 June 2023

Date of effect: 8 June 2023

Registration with the Secretariat of the United Nations: ex officio, 8 June 2023

**No UNTS volume number has yet been determined for this record.*

APPLICATION DU RÈGLEMENT

Luxembourg

Notification effectuée le Secrétaire général de l'Organisation des Nations Unies : 8 juin 2023

Date de prise d'effet : 8 juin 2023

Enregistrement auprès du Secrétariat de l'Organisation des Nations Unies : d'office, 8 juin 2023

**Le numéro de volume RTNU n'a pas encore été établie pour ce dossier.*

APPLICATION DU RÈGLEMENT

Malaisie

Notification effectuée le Secrétaire général de l'Organisation des Nations Unies : 8 juin 2023

Date de prise d'effet : 8 juin 2023

Enregistrement auprès du Secrétariat de l'Organisation des Nations Unies : d'office, 8 juin 2023

**Le numéro de volume RTNU n'a pas encore été établie pour ce dossier.*

APPLICATION DU RÈGLEMENT

Monténégro

Notification effectuée le Secrétaire général de l'Organisation des Nations Unies : 8 juin 2023

Date de prise d'effet : 8 juin 2023

Enregistrement auprès du Secrétariat de l'Organisation des Nations Unies : d'office, 8 juin 2023

**Le numéro de volume RTNU n'a pas encore été établie pour ce dossier.*

APPLICATION OF REGULATION*

New Zealand

Notification effected on the Secretary-General of the United Nations: 8 June 2023

Date of effect: 8 June 2023

Registration with the Secretariat of the United Nations: ex officio, 8 June 2023

*No UNTS volume number has yet been determined for this record.

APPLICATION OF REGULATION*

Nigeria

Notification effected on the Secretary-General of the United Nations: 8 June 2023

Date of effect: 8 June 2023

Registration with the Secretariat of the United Nations: ex officio, 8 June 2023

*No UNTS volume number has yet been determined for this record.

APPLICATION OF REGULATION*

North Macedonia

Notification effected on the Secretary-General of the United Nations: 8 June 2023

Date of effect: 8 June 2023

Registration with the Secretariat of the United Nations: ex officio, 8 June 2023

*No UNTS volume number has yet been determined for this record.

APPLICATION DU RÈGLEMENT

Nouvelle-Zélande

Notification effectuée le Secrétaire général de l'Organisation des Nations Unies : 8 juin 2023

Date de prise d'effet : 8 juin 2023

Enregistrement auprès du Secrétariat de l'Organisation des Nations Unies : d'office, 8 juin 2023

*Le numéro de volume RTNU n'a pas encore été établie pour ce dossier.

APPLICATION DU RÈGLEMENT

Nigéria

Notification effectuée le Secrétaire général de l'Organisation des Nations Unies : 8 juin 2023

Date de prise d'effet : 8 juin 2023

Enregistrement auprès du Secrétariat de l'Organisation des Nations Unies : d'office, 8 juin 2023

*Le numéro de volume RTNU n'a pas encore été établie pour ce dossier.

APPLICATION DU RÈGLEMENT

Macédoine du Nord

Notification effectuée le Secrétaire général de l'Organisation des Nations Unies : 8 juin 2023

Date de prise d'effet : 8 juin 2023

Enregistrement auprès du Secrétariat de l'Organisation des Nations Unies : d'office, 8 juin 2023

*Le numéro de volume RTNU n'a pas encore été établie pour ce dossier.

APPLICATION OF REGULATION*

Norway

Notification effected on the Secretary-General of the United Nations: 8 June 2023

Date of effect: 8 June 2023

Registration with the Secretariat of the United Nations: ex officio, 8 June 2023

*No UNTS volume number has yet been determined for this record.

APPLICATION OF REGULATION*

Pakistan

Notification effected on the Secretary-General of the United Nations: 8 June 2023

Date of effect: 8 June 2023

Registration with the Secretariat of the United Nations: ex officio, 8 June 2023

*No UNTS volume number has yet been determined for this record.

APPLICATION OF REGULATION*

Philippines

Notification effected on the Secretary-General of the United Nations: 8 June 2023

Date of effect: 8 June 2023

Registration with the Secretariat of the United Nations: ex officio, 8 June 2023

*No UNTS volume number has yet been determined for this record.

APPLICATION DU RÈGLEMENT

Norvège

Notification effectuée le Secrétaire général de l'Organisation des Nations Unies : 8 juin 2023

Date de prise d'effet : 8 juin 2023

Enregistrement auprès du Secrétariat de l'Organisation des Nations Unies : d'office, 8 juin 2023

*Le numéro de volume RTNU n'a pas encore été établie pour ce dossier.

APPLICATION DU RÈGLEMENT

Pakistan

Notification effectuée le Secrétaire général de l'Organisation des Nations Unies : 8 juin 2023

Date de prise d'effet : 8 juin 2023

Enregistrement auprès du Secrétariat de l'Organisation des Nations Unies : d'office, 8 juin 2023

*Le numéro de volume RTNU n'a pas encore été établie pour ce dossier.

APPLICATION DU RÈGLEMENT

Philippines

Notification effectuée le Secrétaire général de l'Organisation des Nations Unies : 8 juin 2023

Date de prise d'effet : 8 juin 2023

Enregistrement auprès du Secrétariat de l'Organisation des Nations Unies : d'office, 8 juin 2023

*Le numéro de volume RTNU n'a pas encore été établie pour ce dossier.

APPLICATION OF REGULATION*

Poland

Notification effected on the Secretary-General of the United Nations: 8 June 2023

Date of effect: 8 June 2023

Registration with the Secretariat of the United Nations: ex officio, 8 June 2023

*No UNTS volume number has yet been determined for this record.

APPLICATION OF REGULATION*

Portugal

Notification effected on the Secretary-General of the United Nations: 8 June 2023

Date of effect: 8 June 2023

Registration with the Secretariat of the United Nations: ex officio, 8 June 2023

*No UNTS volume number has yet been determined for this record.

APPLICATION OF REGULATION*

Republic of Korea

Notification effected on the Secretary-General of the United Nations: 8 June 2023

Date of effect: 8 June 2023

Registration with the Secretariat of the United Nations: ex officio, 8 June 2023

*No UNTS volume number has yet been determined for this record.

APPLICATION DU RÈGLEMENT

Pologne

Notification effectuée le Secrétaire général de l'Organisation des Nations Unies : 8 juin 2023

Date de prise d'effet : 8 juin 2023

Enregistrement auprès du Secrétariat de l'Organisation des Nations Unies : d'office, 8 juin 2023

*Le numéro de volume RTNU n'a pas encore été établie pour ce dossier.

APPLICATION DU RÈGLEMENT

Portugal

Notification effectuée le Secrétaire général de l'Organisation des Nations Unies : 8 juin 2023

Date de prise d'effet : 8 juin 2023

Enregistrement auprès du Secrétariat de l'Organisation des Nations Unies : d'office, 8 juin 2023

*Le numéro de volume RTNU n'a pas encore été établie pour ce dossier.

APPLICATION DU RÈGLEMENT

République de Corée

Notification effectuée le Secrétaire général de l'Organisation des Nations Unies : 8 juin 2023

Date de prise d'effet : 8 juin 2023

Enregistrement auprès du Secrétariat de l'Organisation des Nations Unies : d'office, 8 juin 2023

*Le numéro de volume RTNU n'a pas encore été établie pour ce dossier.

APPLICATION OF REGULATION*

Republic of Moldova

Notification effected on the Secretary-General of the United Nations: 8 June 2023

Date of effect: 8 June 2023

Registration with the Secretariat of the United Nations: ex officio, 8 June 2023

**No UNTS volume number has yet been determined for this record.*

APPLICATION OF REGULATION*

Romania

Notification effected on the Secretary-General of the United Nations: 8 June 2023

Date of effect: 8 June 2023

Registration with the Secretariat of the United Nations: ex officio, 8 June 2023

**No UNTS volume number has yet been determined for this record.*

APPLICATION OF REGULATION*

Russian Federation

Notification effected on the Secretary-General of the United Nations: 8 June 2023

Date of effect: 8 June 2023

Registration with the Secretariat of the United Nations: ex officio, 8 June 2023

**No UNTS volume number has yet been determined for this record.*

APPLICATION DU RÈGLEMENT

République de Moldova

Notification effectuée le Secrétaire général de l'Organisation des Nations Unies : 8 juin 2023

Date de prise d'effet : 8 juin 2023

Enregistrement auprès du Secrétariat de l'Organisation des Nations Unies : d'office, 8 juin 2023

**Le numéro de volume RTNU n'a pas encore été établie pour ce dossier.*

APPLICATION DU RÈGLEMENT

Roumanie

Notification effectuée le Secrétaire général de l'Organisation des Nations Unies : 8 juin 2023

Date de prise d'effet : 8 juin 2023

Enregistrement auprès du Secrétariat de l'Organisation des Nations Unies : d'office, 8 juin 2023

**Le numéro de volume RTNU n'a pas encore été établie pour ce dossier.*

APPLICATION DU RÈGLEMENT

Fédération de Russie

Notification effectuée le Secrétaire général de l'Organisation des Nations Unies : 8 juin 2023

Date de prise d'effet : 8 juin 2023

Enregistrement auprès du Secrétariat de l'Organisation des Nations Unies : d'office, 8 juin 2023

**Le numéro de volume RTNU n'a pas encore été établie pour ce dossier.*

APPLICATION OF REGULATION*

San Marino

Notification effected on the Secretary-General of the United Nations: 8 June 2023

Date of effect: 8 June 2023

Registration with the Secretariat of the United Nations: ex officio, 8 June 2023

*No UNTS volume number has yet been determined for this record.

APPLICATION OF REGULATION*

Serbia

Notification effected on the Secretary-General of the United Nations: 8 June 2023

Date of effect: 8 June 2023

Registration with the Secretariat of the United Nations: ex officio, 8 June 2023

*No UNTS volume number has yet been determined for this record.

APPLICATION OF REGULATION*

Slovakia

Notification effected on the Secretary-General of the United Nations: 8 June 2023

Date of effect: 8 June 2023

Registration with the Secretariat of the United Nations: ex officio, 8 June 2023

*No UNTS volume number has yet been determined for this record.

APPLICATION DU RÈGLEMENT

Saint-Marin

Notification effectuée le Secrétaire général de l'Organisation des Nations Unies : 8 juin 2023

Date de prise d'effet : 8 juin 2023

Enregistrement auprès du Secrétariat de l'Organisation des Nations Unies : d'office, 8 juin 2023

*Le numéro de volume RTNU n'a pas encore été établie pour ce dossier.

APPLICATION DU RÈGLEMENT

Serbie

Notification effectuée le Secrétaire général de l'Organisation des Nations Unies : 8 juin 2023

Date de prise d'effet : 8 juin 2023

Enregistrement auprès du Secrétariat de l'Organisation des Nations Unies : d'office, 8 juin 2023

*Le numéro de volume RTNU n'a pas encore été établie pour ce dossier.

APPLICATION DU RÈGLEMENT

Slovaquie

Notification effectuée le Secrétaire général de l'Organisation des Nations Unies : 8 juin 2023

Date de prise d'effet : 8 juin 2023

Enregistrement auprès du Secrétariat de l'Organisation des Nations Unies : d'office, 8 juin 2023

*Le numéro de volume RTNU n'a pas encore été établie pour ce dossier.

APPLICATION OF REGULATION*

Slovenia

Notification effected on the Secretary-General of the United Nations: 8 June 2023

Date of effect: 8 June 2023

Registration with the Secretariat of the United Nations: ex officio, 8 June 2023

*No UNTS volume number has yet been determined for this record.

APPLICATION OF REGULATION*

South Africa

Notification effected on the Secretary-General of the United Nations: 8 June 2023

Date of effect: 8 June 2023

Registration with the Secretariat of the United Nations: ex officio, 8 June 2023

*No UNTS volume number has yet been determined for this record.

APPLICATION OF REGULATION*

Spain

Notification effected on the Secretary-General of the United Nations: 8 June 2023

Date of effect: 8 June 2023

Registration with the Secretariat of the United Nations: ex officio, 8 June 2023

*No UNTS volume number has yet been determined for this record.

APPLICATION DU RÈGLEMENT

Slovénie

Notification effectuée le Secrétaire général de l'Organisation des Nations Unies : 8 juin 2023

Date de prise d'effet : 8 juin 2023

Enregistrement auprès du Secrétariat de l'Organisation des Nations Unies : d'office, 8 juin 2023

*Le numéro de volume RTNU n'a pas encore été établie pour ce dossier.

APPLICATION DU RÈGLEMENT

Afrique du Sud

Notification effectuée le Secrétaire général de l'Organisation des Nations Unies : 8 juin 2023

Date de prise d'effet : 8 juin 2023

Enregistrement auprès du Secrétariat de l'Organisation des Nations Unies : d'office, 8 juin 2023

*Le numéro de volume RTNU n'a pas encore été établie pour ce dossier.

APPLICATION DU RÈGLEMENT

Espagne

Notification effectuée le Secrétaire général de l'Organisation des Nations Unies : 8 juin 2023

Date de prise d'effet : 8 juin 2023

Enregistrement auprès du Secrétariat de l'Organisation des Nations Unies : d'office, 8 juin 2023

*Le numéro de volume RTNU n'a pas encore été établie pour ce dossier.

APPLICATION OF REGULATION*

Sweden

Notification effected on the Secretary-General of the United Nations: 8 June 2023

Date of effect: 8 June 2023

Registration with the Secretariat of the United Nations: ex officio, 8 June 2023

*No UNTS volume number has yet been determined for this record.

APPLICATION OF REGULATION*

Switzerland

Notification effected on the Secretary-General of the United Nations: 8 June 2023

Date of effect: 8 June 2023

Registration with the Secretariat of the United Nations: ex officio, 8 June 2023

*No UNTS volume number has yet been determined for this record.

APPLICATION OF REGULATION*

Thailand

Notification effected on the Secretary-General of the United Nations: 8 June 2023

Date of effect: 8 June 2023

Registration with the Secretariat of the United Nations: ex officio, 8 June 2023

*No UNTS volume number has yet been determined for this record.

APPLICATION DU RÈGLEMENT

Suède

Notification effectuée le Secrétaire général de l'Organisation des Nations Unies : 8 juin 2023

Date de prise d'effet : 8 juin 2023

Enregistrement auprès du Secrétariat de l'Organisation des Nations Unies : d'office, 8 juin 2023

*Le numéro de volume RTNU n'a pas encore été établie pour ce dossier.

APPLICATION DU RÈGLEMENT

Suisse

Notification effectuée le Secrétaire général de l'Organisation des Nations Unies : 8 juin 2023

Date de prise d'effet : 8 juin 2023

Enregistrement auprès du Secrétariat de l'Organisation des Nations Unies : d'office, 8 juin 2023

*Le numéro de volume RTNU n'a pas encore été établie pour ce dossier.

APPLICATION DU RÈGLEMENT

Thaïlande

Notification effectuée le Secrétaire général de l'Organisation des Nations Unies : 8 juin 2023

Date de prise d'effet : 8 juin 2023

Enregistrement auprès du Secrétariat de l'Organisation des Nations Unies : d'office, 8 juin 2023

*Le numéro de volume RTNU n'a pas encore été établie pour ce dossier.

APPLICATION OF REGULATION*

Tunisia

Notification effected on the Secretary-General of the United Nations: 8 June 2023

Date of effect: 8 June 2023

Registration with the Secretariat of the United Nations: ex officio, 8 June 2023

*No UNTS volume number has yet been determined for this record.

APPLICATION OF REGULATION*

Türkiye

Notification effected on the Secretary-General of the United Nations: 8 June 2023

Date of effect: 8 June 2023

Registration with the Secretariat of the United Nations: ex officio, 8 June 2023

*No UNTS volume number has yet been determined for this record.

APPLICATION OF REGULATION*

Uganda

Notification effected on the Secretary-General of the United Nations: 8 June 2023

Date of effect: 8 June 2023

Registration with the Secretariat of the United Nations: ex officio, 8 June 2023

*No UNTS volume number has yet been determined for this record.

APPLICATION DU RÈGLEMENT

Tunisie

Notification effectuée le Secrétaire général de l'Organisation des Nations Unies : 8 juin 2023

Date de prise d'effet : 8 juin 2023

Enregistrement auprès du Secrétariat de l'Organisation des Nations Unies : d'office, 8 juin 2023

*Le numéro de volume RTNU n'a pas encore été établie pour ce dossier.

APPLICATION DU RÈGLEMENT

Türkiye

Notification effectuée le Secrétaire général de l'Organisation des Nations Unies : 8 juin 2023

Date de prise d'effet : 8 juin 2023

Enregistrement auprès du Secrétariat de l'Organisation des Nations Unies : d'office, 8 juin 2023

*Le numéro de volume RTNU n'a pas encore été établie pour ce dossier.

APPLICATION DU RÈGLEMENT

Ouganda

Notification effectuée le Secrétaire général de l'Organisation des Nations Unies : 8 juin 2023

Date de prise d'effet : 8 juin 2023

Enregistrement auprès du Secrétariat de l'Organisation des Nations Unies : d'office, 8 juin 2023

*Le numéro de volume RTNU n'a pas encore été établie pour ce dossier.

APPLICATION OF REGULATION*

Ukraine

Notification effected on the Secretary-General of the United Nations: 8 June 2023

Date of effect: 8 June 2023

Registration with the Secretariat of the United Nations: ex officio, 8 June 2023

*No UNTS volume number has yet been determined for this record.

APPLICATION OF REGULATION*

United Kingdom of Great Britain and Northern Ireland

Notification effected on the Secretary-General of the United Nations: 8 June 2023

Date of effect: 8 June 2023

Registration with the Secretariat of the United Nations: ex officio, 8 June 2023

*No UNTS volume number has yet been determined for this record.

APPLICATION OF REGULATION*

Andorra

Notification effected on the Secretary-General of the United Nations: 11 October 2023

Date of effect: 11 October 2023

Registration with the Secretariat of the United Nations: ex officio, 11 October 2023

*No UNTS volume number has yet been determined for this record.

APPLICATION DU RÈGLEMENT

Ukraine

Notification effectuée le Secrétaire général de l'Organisation des Nations Unies : 8 juin 2023

Date de prise d'effet : 8 juin 2023

Enregistrement auprès du Secrétariat de l'Organisation des Nations Unies : d'office, 8 juin 2023

*Le numéro de volume RTNU n'a pas encore été établie pour ce dossier.

APPLICATION DU RÈGLEMENT

Royaume-Uni de Grande-Bretagne et d'Irlande du Nord

Notification effectuée le Secrétaire général de l'Organisation des Nations Unies : 8 juin 2023

Date de prise d'effet : 8 juin 2023

Enregistrement auprès du Secrétariat de l'Organisation des Nations Unies : d'office, 8 juin 2023

*Le numéro de volume RTNU n'a pas encore été établie pour ce dossier.

APPLICATION DU RÈGLEMENT

Andorre

Notification effectuée le Secrétaire général de l'Organisation des Nations Unies : 11 octobre 2023

Date de prise d'effet : 11 octobre 2023

Enregistrement auprès du Secrétariat de l'Organisation des Nations Unies : d'office, 11 octobre 2023

*Le numéro de volume RTNU n'a pas encore été établie pour ce dossier.

*APPLICATION OF REGULATION**

Netherlands

Notification effected on the Secretary-General of the United Nations: 8 June 2023

Date of effect: 8 June 2023

Registration with the Secretariat of the United Nations: ex officio, 1 December 2023

**No UNTS volume number has yet been determined for this record.*

APPLICATION DU RÈGLEMENT

Pays-Bas

Notification effectuée le Secrétaire général de l'Organisation des Nations Unies : 8 juin 2023

Date de prise d'effet : 8 juin 2023

Enregistrement auprès du Secrétariat de l'Organisation des Nations Unies : d'office, 1^{er} décembre 2023

**Le numéro de volume RTNU n'a pas encore été établie pour ce dossier.*