

UNITED NATIONS  NATIONS UNIES

POSTAL ADDRESS—ADRESSE POSTALE UNITED NATIONS, N. Y. 10017  
CABLE ADDRESS—ADRESSE TELEGRAPHIQUE: UNATIONS NEWYORK

REFERENCE. C.N.36.1994.TREATIES-1 (Depositary Notification)

CUSTOMS CONVENTION ON CONTAINERS, 1972  
CONCLUDED AT GENEVA ON 2 DECEMBER 1972

AMENDMENTS PROPOSED BY THE CUSTOMS CO-OPERATION COUNCIL  
TO THE CONVENTION AND TO ANNEXES 4, 6 AND 7

The Secretary-General of the United Nations, acting in his capacity as depositary, communicates the following:

In a communication received by the Secretary-General on 13 January 1994, the Secretary-General of the Customs Co-operation Council, in accordance with article 21 (2) and article 22 (3) of the above-mentioned Convention, has transmitted the text of amendments to the Convention and to annexes 4, 6 and 7, to be communicated in accordance with paragraph 3 of article 21 and paragraph 4 of article 22, by the Secretary-General to the Contracting Parties for their acceptance, and to the other States referred to in article 18 for their information.

The said amendments were adopted by the Administrative Committee for the Customs Convention on Containers, 1972, at its fifth meeting held in Brussels from 20 to 22 November 1991.

With respect to the Convention including Annex 7, the amending procedure is set forth in paragraphs 1 to 5 of article 21, which reads as follows:

- "1. Any Contracting Party may propose one or more amendments to the present Convention. The text of any proposed amendment shall be notified to the Customs Co-operation Council which shall communicate it to all Contracting Parties and inform the States referred to in article 18 which are not Contracting Parties. The Customs Co-operation Council shall also, in accordance with the rules of procedure set out in Annex 7, convene an Administrative Committee.
- 2. Any amendment proposed in accordance with the preceding paragraph, or prepared during the meeting of the Committee, and adopted by a two-thirds majority of those present and voting in the Committee, shall be communicated to the Secretary-General of the United Nations.
- 3. The Secretary-General of the United Nations shall communicate the amendment to the Contracting Parties for their acceptance, and to the States referred to in article 18 which are not Contracting Parties for their information.

Attention: Treaty Services of Ministries of Foreign Affairs and of international organizations concerned



-2-

4. Any proposed amendment communicated in accordance with the preceding paragraph shall be deemed to be accepted if no Contracting Party expressed an objection within a period of 12 months following the date of communication of the proposed amendment by the Secretary-General of the United Nations.

5. The Secretary-General of the United Nations shall, as soon as possible, notify all Contracting Parties and the States referred to in article 18 which are not Contracting Parties whether an objection to the proposed amendment has been expressed. If an objection to the proposed amendment has been communicated to the Secretary-General of the United Nations the amendment shall be deemed not to have been accepted and shall be of no effect whatever. If no such objection has been communicated to the Secretary-General of the United Nations the amendment shall enter into force for all Contracting Parties three months after the expiry of the period of 12 months referred to in the preceding paragraph, or on such later date as may have been determined by the Administrative Committee at the time of its adoption."

As regards annexes 4 and 6, the applicable procedure is set out in paragraphs 1 to 7 of article 22, which reads as follows:

"1. Independently of the amendment procedure set out in article 21, Annexes 1, 4, 5 and 6 may be amended as provided for in this article and in accordance with the rules of procedure set out in Annex 7.

2. Any Contracting Party shall communicate proposed amendments to the Customs Co-operation Council. The Customs Co-operation Council shall bring them to the attention of the Contracting Party and of the States referred to in article 18 which are not Contracting Parties, and shall convene the Administrative Committee.

3. Any Amendment proposed in accordance with the preceding paragraph or prepared during the meeting of the Committee, and adopted by a two-thirds majority of those present and voting in the Committee, shall be communicated to the Secretary-General of the United Nations.

4. The Secretary-General of the United Nations shall communicate the amendment to the Contracting Parties for their acceptance, and to the States referred to in article 18 which are not Contracting Parties for their information.

5. The amendment shall be deemed to have been accepted unless one-fifth or five of the Contracting Parties, whichever number is less, have notified the Secretary-General of the United Nations, within a period of 12 months from the date on which the proposed modification has been communicated by the Secretary-General of the United Nations to the Contracting Parties, that they object to the proposal. An amendment which is not accepted shall be of no effect whatever.



-3-

6. If an amendment is accepted, it shall enter into force, for all Contracting Parties which did not object to the amendment, three months after the expiry of the period of twelve months referred to in the preceding paragraph, or on such later date as may have been determined by the Committee at the time of its adoption. At the time of adoption of an amendment the Committee may also provide that, during a transitional period, the existing Annexes shall remain in force, wholly or in part, concurrently with such amendment.

7. The Secretary-General of the United Nations shall notify the date of the entry into force of the amendment to the Contracting Parties and inform the States, referred to in article 18, which are not Contracting Parties."

It should be noted that the Committee did not avail itself of the rights granted under article 21 (5) and article 22 (6) of the Convention to determine a later date for the entry into force of the amendments.

Consequently, and in accordance with articles 21 and 22, the amendments will be considered to have been accepted if no objection has been formulated by one of the Contracting Parties at the latest on 10 March 1995, and they will enter into force on 10 June 1995.

The texts of the proposed amendments in the Chinese, English, ..... French, Russian and Spanish languages are annexed herewith.

10 March 1994

SJ

1972年集装箱关税公约中  
关于关税或经济同盟的修正

1. 在第一条中插入以下一个新词作为(d)款(之二):

“(d)(之二) ‘关税或经济同盟’一词指由本公约第十八条第1项所述的国家组成和结成的同盟,该同盟有权对本公约主管事项制定其自己的对成员国具有约束力的立法,并有权按其内部程序决定加入本公约;”

2. 插入下列新的第十四条(之二):

“第十四条(之二)

1. 为本公约的目的,组成一关税或经济同盟的缔约各方的关境,可视为一单独关境。

2. 本公约的任何规定,应不妨碍已组成关税或经济同盟的缔约各方制定适用于暂时入境作业和准许经海关加封的集装箱在同盟的关境内经营运输的特别规定,只要这些规定不削减本公约所提供的便利。”

3. 在第十八条中插入下列新的第3项(之二):

“3(之二). 符合第一条(d)款(之二)定义的关税或经济同盟,可以加入本公约而成为缔约一方。该关税或经济同盟在加入公约时,应将其职权范围通知联合国秘书长,并在此后当其职权范围在本公约主管的事项上发生变化时再作通知。作为本公约缔约一方的关税或经济同盟应在其职权范围内的事项上,行使和履行本公约赋予其作为本公约缔约方的成员国的权利和责任。在此情况下,这些成员国应无资格个别地行使这些权利,包括表决、建议修正、对所建议的修正表示异议及按照第二十五条解决争端等权利。”

4. 将第十九条第2项修正如下:

“对于批准、接受或同意本公约的每一国家,或对于在第五份批准书、接受书、同意书或加入书交存之后加入本公约的每一国家或关税或经济同盟,本公约应从该国或该关税或经济同盟交存其批准书、接受书、同意书或加入书之日起六个月后生效。”

5. 附件七第六条增加以下新的第2项,原有条文改称第1项:

“2. 在本公约第十八条第3项(之二)适用的情况下,作为本公约缔约方的关税或经济同盟在表决时,其票数应只等于分配给它们作为本公约缔约方的成员国的总票数。”

\*\*

\*\*

\*\*

1972年集装箱关务公约  
附件四和附件六的修正

修正一

附件四, 第二条第2项(一)和(二)目

将原有条文改为:

“(一) 如果集装箱的衬里遮盖了从箱底到箱顶的全高度,或在另一情况下,如果衬里与外壁之间的空隙是完全封闭的话,应把衬里安装得无法拆除和更换而不留下明显的痕迹,并且

“(二) 在衬里遮盖不到全高度,以及衬里与外壁之间的空隙不是完全封闭的情况下,和在集装箱的构造中留有空隙的所有其他情况下,这种空隙的数目应尽量减少,并应使其便于海关检验。”

o

o

o

.....  
将原有条文改为:

“6. 布面应严格按照本条例第一条(a)款和(b)款所载的规定装在集装箱上。可以采用下列办法:

(a) 布面可以用下列方式系紧:

(一) 集装箱上装设金属环;

(二) 布面沿边装上眼孔; 并

(三) 用绳索穿过露在布面上的金属环系紧, 从外面可以看见绳索全

长。

除非集装箱的制造方法本身可以防止取得所装货物, 否则布面与集

装箱硬体部分重叠地方, 从系环中央量起, 至少应达二百五十毫米。

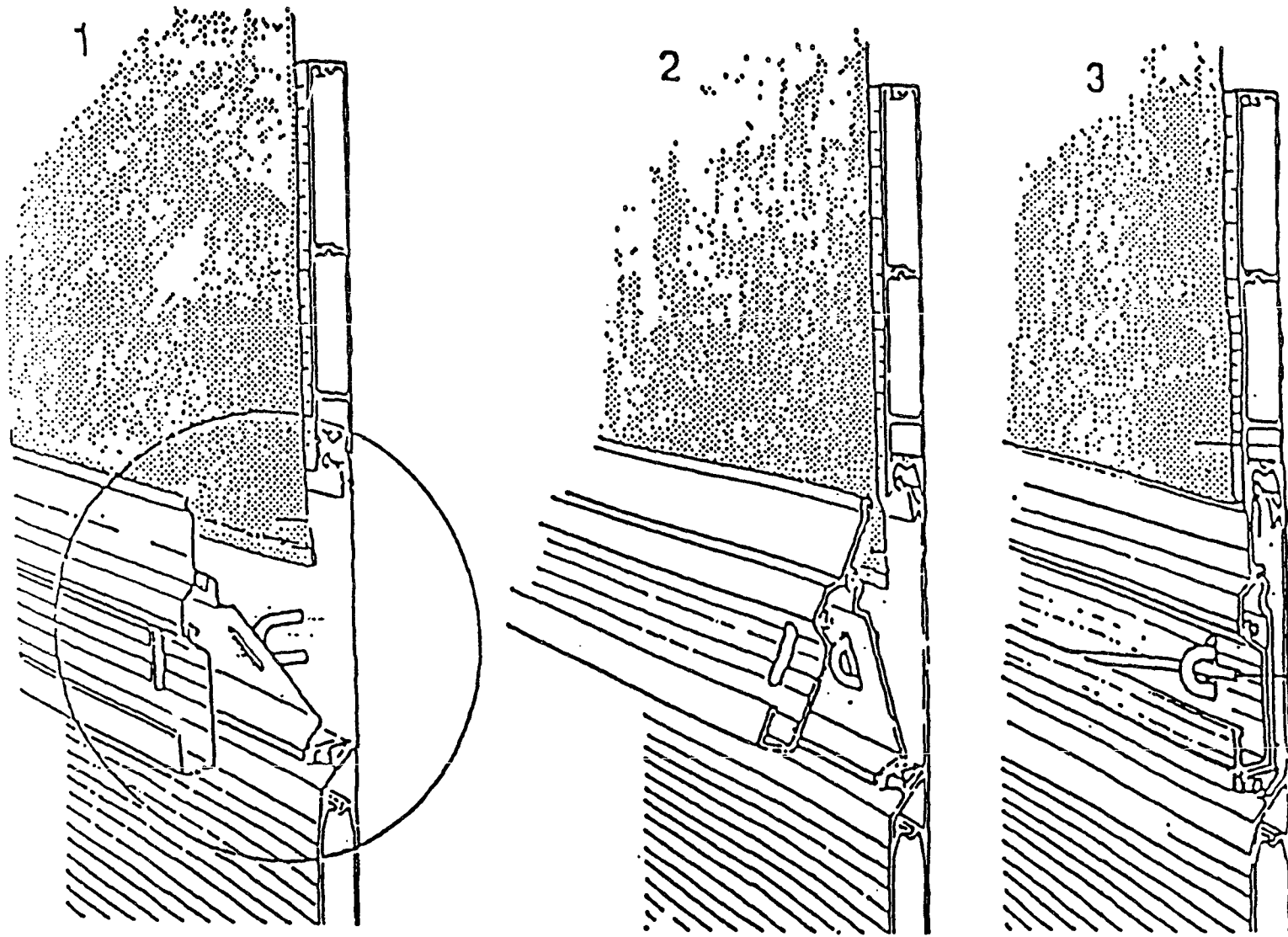
(b) 布面的任何一条沿边如果永久装紧在集装箱上, 两个表面应接合得

毫无间断, 并用坚固的装置夹紧。

(c) 如果采用布面锁定系统, 在锁定的状态下, 布面应与集装箱的外表面

紧密接合(举例见筒图六)。”

将复印在后面的筒图六插在筒图五之后。



布面锁定系统举例

简图六

说明

这种布面锁定系统,只要在门的每一端至少装有一个金属环,就可以接受。让金属环穿出来的孔口为椭圆形,大小刚刚够金属环穿过。这个系统锁定之后,金属环的可见部分突出不超过所用绳索最粗部分的两倍。



修正三

附件四, 第四条第9项

在原有条文之后插入以下文字:

“如果要將布面固定在框架上, 而集裝箱的製造方法除此之外完全符合本條第6項(a)款的規定, 則可以用一條帶子系緊(這種製造方法的舉例見本條例所附簡圖七)。帶子須符合第11項(c)款所載關於質料、尺寸和形狀的規定。”

o

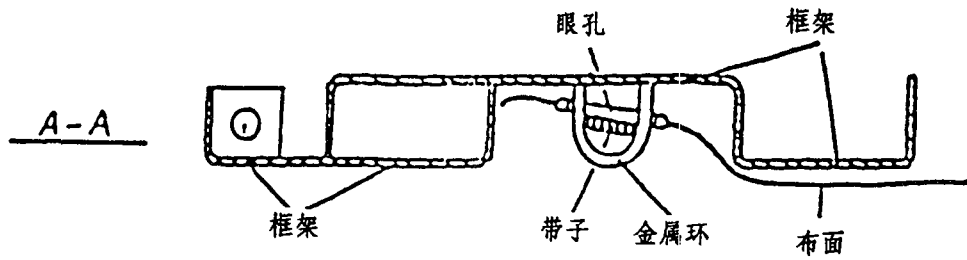
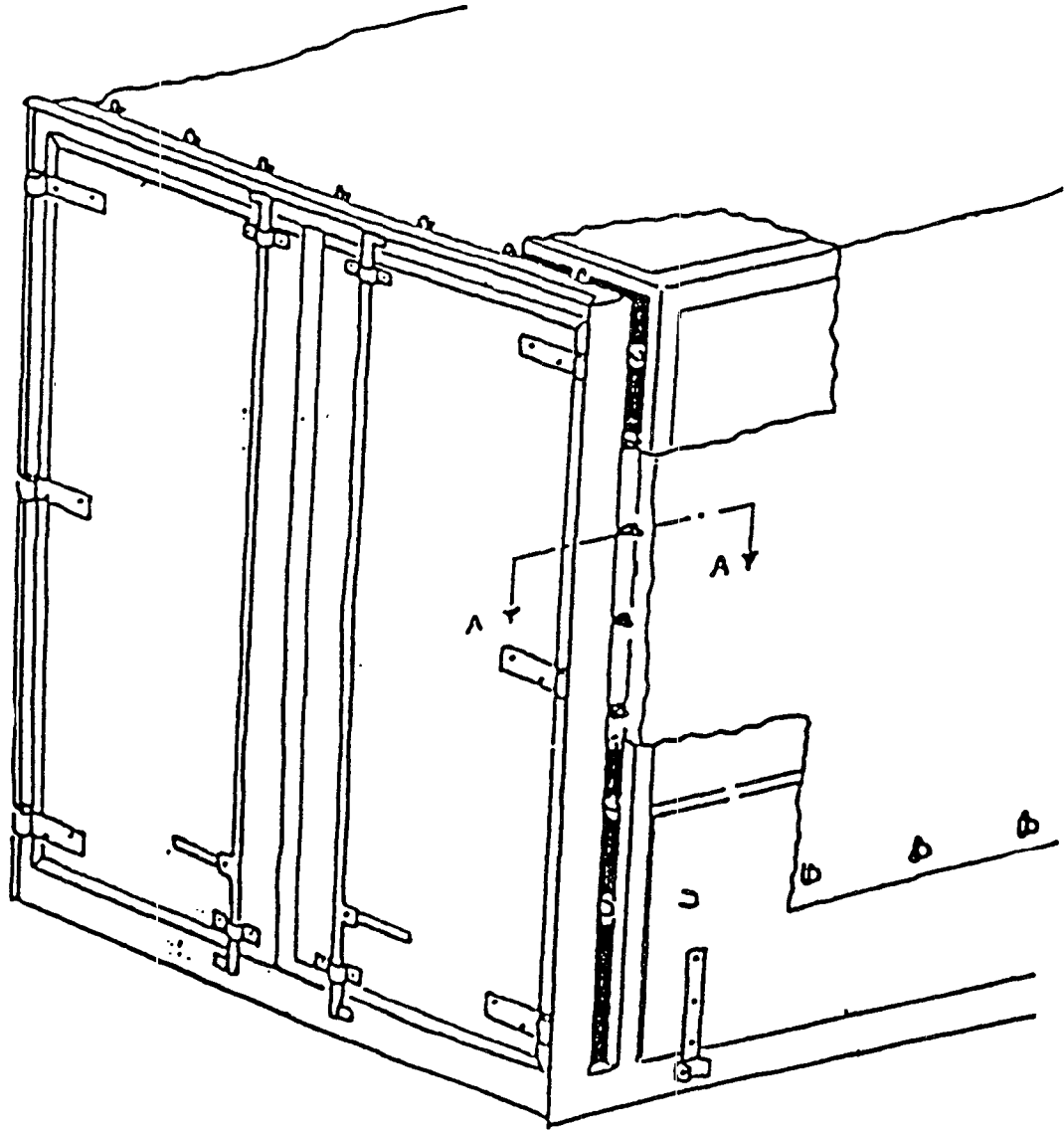
o

o

將復印在后面的簡圖七插在簡圖六之后。

简图七

布面固定在特殊形状框架上的举例



箱边截面图

说明

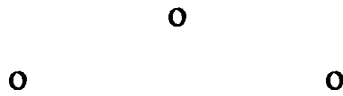
这种把布面系紧在集装箱上的方式，只要金属环是装在凹槽之内，同时它突出不超过凹槽的最大深度，就可以接受。凹槽的宽度应尽量窄。

修正四

附件四, 第四条第7项(新的第7项)

在第6项之后插入新的第7项如下:

“7. 布面应以适当的上部结构(直柱、箱边、拱架、条板等等)加以支撑。”

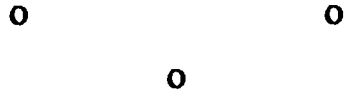


修正五

附件四, 第四条新的第8项(原来的第7项)

将原有条文改为:

“8. 各个金属环之间的距离和各个眼孔之间的距离都不应超过二百毫米。不过, 如果集装箱和布面的构造能够完全防止进入集装箱内部的话, 则直柱两边的金属环和眼孔之间的距离可以大一些, 但不应超过三百毫米。眼孔应予以加固。”



## 修正六

### 附件四, 第四条第10项:

将现有条文改为下文:

“在布面上用来装卸货物的开口地方, 两个表面应互相接合。可以采用以下两种方式:

(a) 布面两边应有适当的重叠部分。两边应以下述方式系紧:

(一) 按照本条第3项和第4项的规定缝制或焊接一个口盖;

(二) 装上符合本条第8项规定的系环和眼孔; 系环应用金属制造; 并

(三) 以至少二十毫米宽、三毫米厚的一整条无伸缩性、适当质料的带子贯穿金属环, 将布面两边和口盖拴紧; 带子应在布面背后钉牢, 并应装有下列的一种眼孔:

-- 能让本条第9项所述的绳索穿过的眼孔, 或

-- 能附在本条第6项所述的金属环上, 并以本条第9项所述的绳索系紧的眼孔。

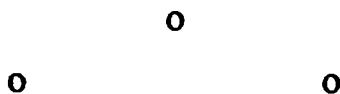
如果装有阻板一类的特别装置, 能够防止进入集装箱而不留下明显痕迹的话, 可以不必装上口盖。

(b) 一种特别锁定系统, 当集装箱关上并且加封之后, 能将布面沿边紧密锁定。这种系统应有开口, 以便让本条第6项所述的金属环穿过, 并以本条第9项所述的绳索系紧(参看本条例所附简图八)。”

### 附件四新的简图八

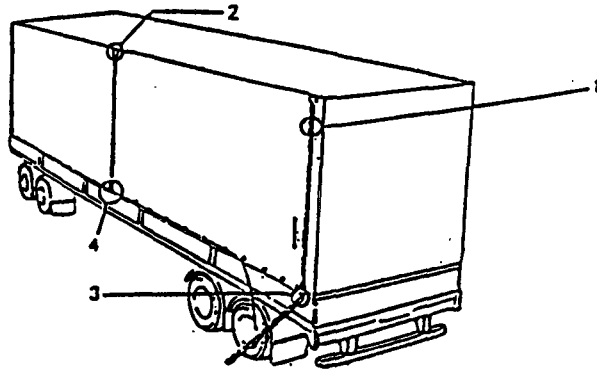
附件四加一个新的简图八。插入简图说明如下:

“在这种锁定系统中，布面上用来装卸货物的开口处两边用铝质锁杆并合起来。沿着布面开口处全长有一条折边，包着一条绳子（参看简图八之一）。这样，布面就不可能从锁杆的凹槽内拉出来。折边应在外面，并应按照公约附件四第四条第4项的规定焊接。这些边缘将穿进铝质锁杆有开口的凹槽，套入下端封闭的两条平行纵向槽道里面。当锁杆处在向上位置时，布面两边即并合起来。在开口的上端，锁杆用一个透明塑料盖封住，这个塑料盖用铆钉固定在布面上（参看简图八之二）。锁杆由两段组成，用铆接的合页连在一起，可以折叠，以方便安装和拆除。合页的设计必须使它在系统锁定后，转销就无法拆除（参看简图八之三）。锁杆的下端有一个孔口，让金属环穿出来。孔口为椭圆形，大小刚刚够金属环穿过（参看简图八之四）。紧固绳将穿过这个金属环，把锁杆系紧。”

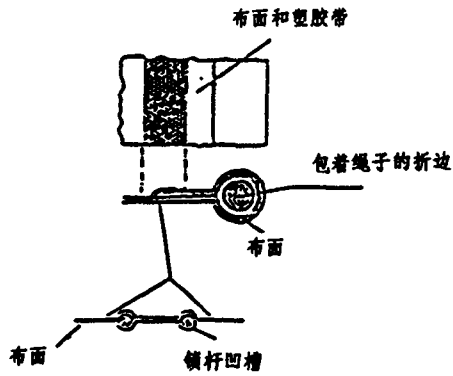


### 简图八

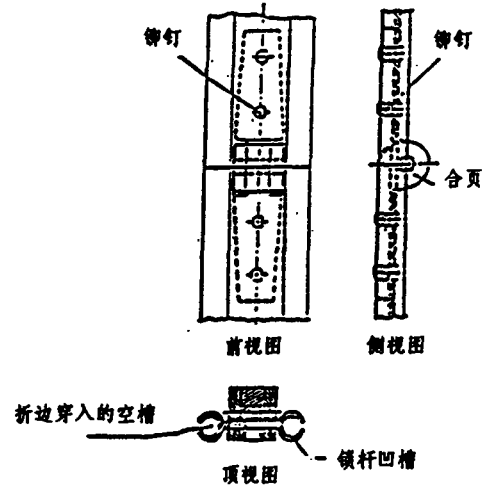
## 装卸开口处的布面锁定系统



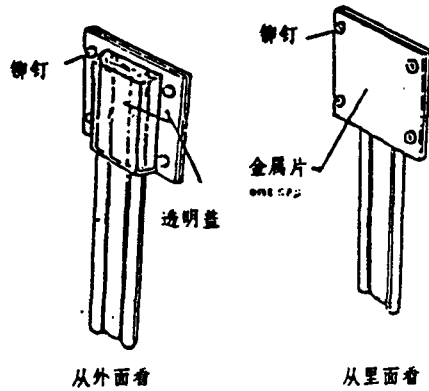
简图八之一



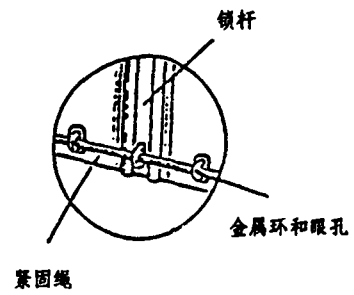
简图八之三



简图八之二



简图八之四



修正七

附件四, 第四条第7至11项

将原有第7至11项重新编号为第8至12项。

o

o

o



修正八

附件六,解释性说明4.2.1.(a)-1,(c)款

添加新的第三句如下:

“不过,如果在装配各个构成部分时,已经使用了足够数量如附件六对公约作出的解释性说明4.2.1.(a)-1中(a)款所述的其他联接用具,则也可以使用暗钉。”

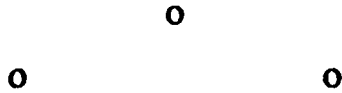
o  
o o

修正九

附件六,解释性说明4.2.1.(b)-1,(b)款

将原有的第二句改为下文:

“此外,这种装置各个组成部分(例如铰链板、铰链钉或转环等),如果对保证集装箱的关务安全性有此需要(参看本附件简图七),应安装得使其在集装箱关闭并加封后,即无法拆除或拆开而不留下明显的痕迹。”

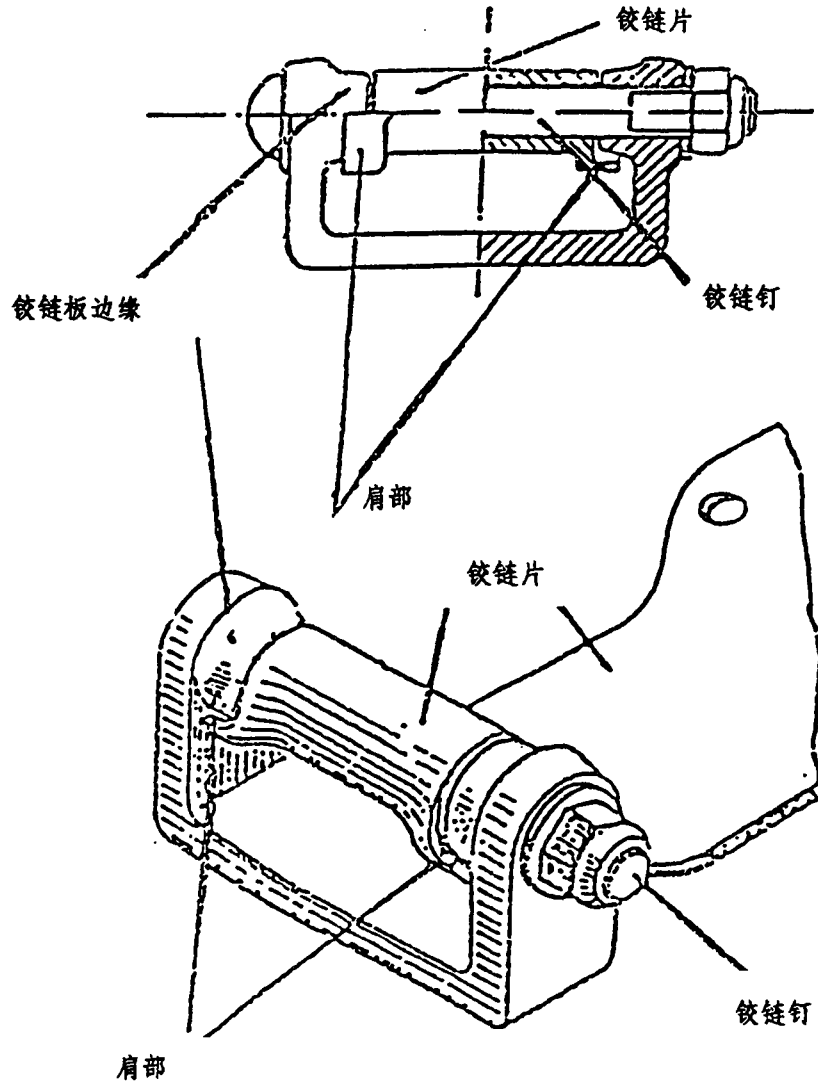


将复印在后面的简图七插在简图六之后。

简图七

不需要特别保护铰链钉的铰链举例

下图中的铰链符合解释性说明4.2.1.(b)-1中(b)款第二句的要求。铰链片和铰链板的设计使对铰链钉的特别保护成为不必要，因为铰链片的肩部伸展到盖住铰链板的边缘。因此，即使不加保护的铰链钉被拆出来，铰链片的肩部也足以防止经海关加封的门被从装铰链的那边打开而不留下明显的痕迹。



修正十

附件六,解释性说明4.2.1. (b)-1, (c)款

将原有条文改为:

“(c) 作为例外,对于绝热集装箱上的海关加封装置、铰链及任何配件,若被拆去即可进入集装箱内部,或可达到可以隐藏货物的空隙,可以采取以下方式将其固定在集装箱的门上:

(一) 用固定螺栓或固定螺钉,从外面插入,但除此之外不符合以上解释性说明4.2.1. (a)-1中(a)款的规定,条件是:

要将固定螺栓或固定螺钉的尾部固定在一块装在门结构的最外面一层或几层背后的攻螺丝片或类似的装置上;并且

要将适当数量的固定螺栓或固定螺钉的头部与海关加封装置、铰链等焊接起来,焊接方式要使它们完全变形,以致固定螺栓或固定螺钉不可能被拆下来而不留下做手脚的可见痕迹(参看本附件所附简图四)。

(二) 用一种从绝热门构造里面插入的固定装置,条件是:

该装置的固定销和紧固环要用气动或液压工具装上去,后面夹着一块装在门结构的最外层与绝热物质之间的金属片或类似的装置;

固定销的头部不能从集装箱里面接触到;并且

要将足够数量的紧固环同固定销焊接起来,使该装置不可能被拆下来而不留下做手脚的可见痕迹(参看本附件所附简图八)。

“绝热集装箱”一词包括冷藏集装箱和恒温集装箱。”

将复印在后面的简图八插在简图七之后。

○

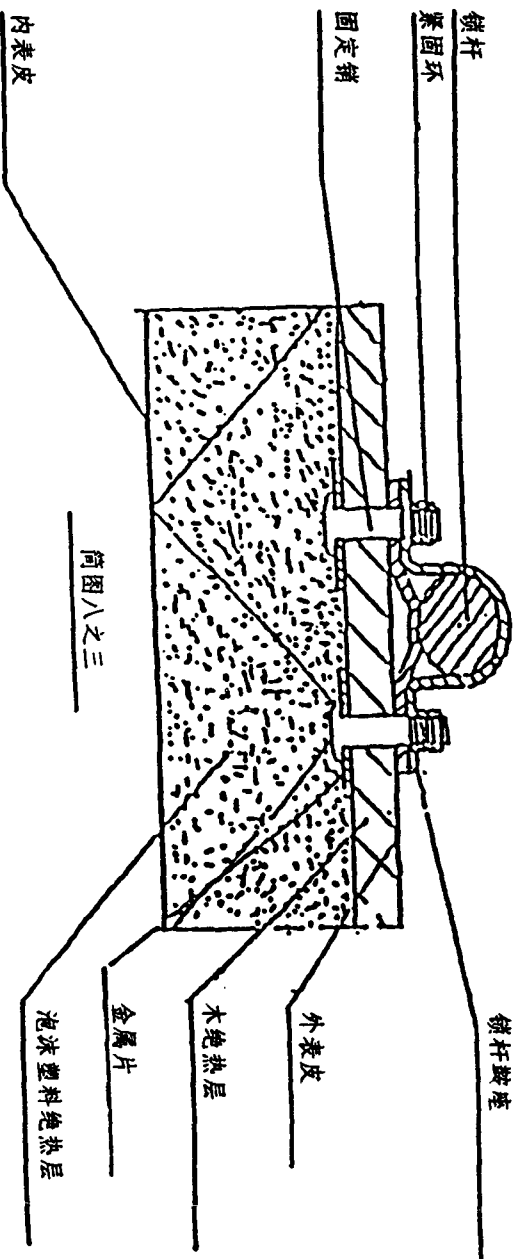
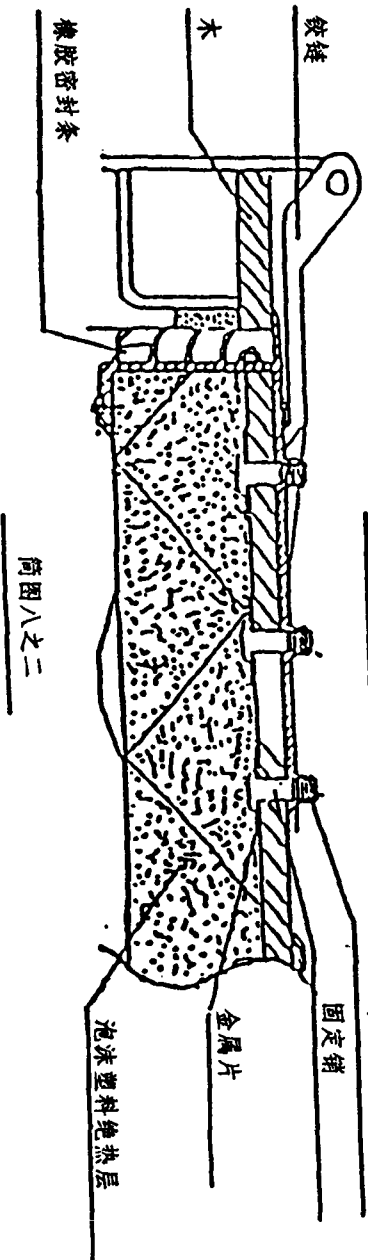
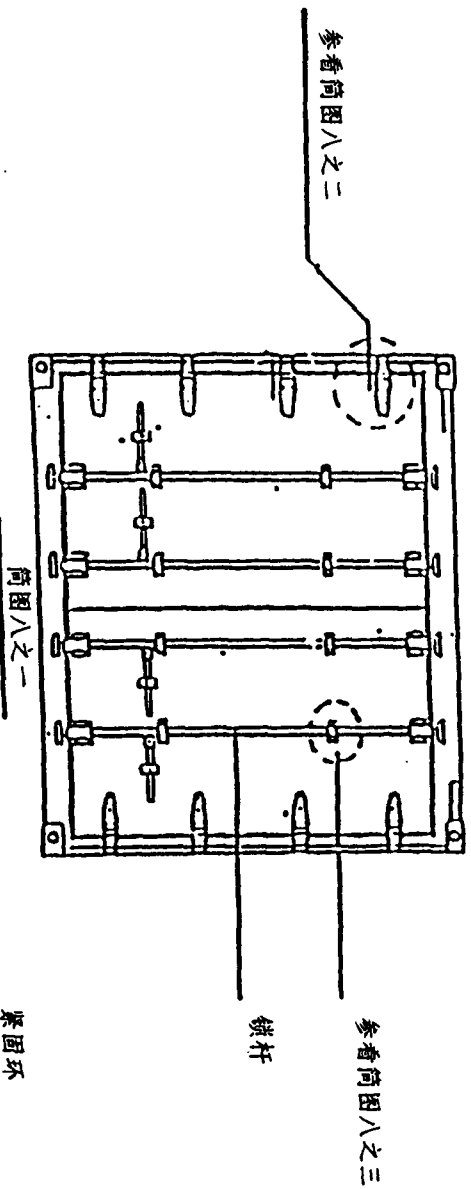
○

○

筒图八

从绝热门构造里面插入的固定装置举例

从箱门那边看



修正十一

附件六,解释性说明4.2.1.(c)-1,(b)款

将原有条文改为下文:

“(b) 可以直接进入集装箱的洞孔,必须以下列方式堵住:

(一) 用金属线网或多孔金属隔板(孔眼的最大尺寸均限为三毫米)加以阻隔,并用焊接的金属格子架(格子的最大尺寸:十毫米)加以保护;或

(二) 用单一块足够坚固的多孔金属隔板(孔眼的最大尺寸:三毫米;隔板的厚度:至少一毫米)加以阻隔。”

o

o

o

修正十二

附件六, 解释性说明4.2.1. (c)-1, (c) 款

将原有条文改为下文:

“(c) 不能直接进入集装箱的洞孔(例如由于采取了弯角或阻板的办法), 也必须具有(b)款所述的装置, 不过孔眼的尺寸最多可达十毫米(金属线网或金属隔板)和二十毫米(金属格子架)。”

○  
○ ○

修正十三

附件六,解释性说明4.4.7.-1

将原有条文及其前面的标题改为下文:

第8项 - 金属环之间和眼孔之间的距离

4.4.8.-1 在直柱之上,如果金属环是装在箱旁板上的凹槽之内,而眼孔是椭圆形,并且小得仅够金属环穿过的话,则超过二百毫米但不超过三百毫米的距

离也可以接受。

附件六,解释性说明4.4.8.-1

将这条解释性说明的编号改为4.4.9.-1,并将标题中的“第8项”改为“第9项”。

附件六,解释性说明4.4.10.(a)-1

将这条解释性说明的编号改为4.4.11.(a)(-)-1,并将标题中的“第10项(a)款”改为

“第11项(a)款(-)目”。

附件六,解释性说明4.4.10.(c)-1

将这条解释性说明的编号改为4.4.11.(a)(-)-1,并将标题中的“第10项(c)款”改为

“第11项(a)款(-)目”。

附件六,解释性说明4.4.10.(c)-2

将这条解释性说明的编号改为4.4.11.(a)(-)-1,并将文内的“第10项”改为“第11

项(a)款”。



**AMENDMENTS TO THE CUSTOMS CONVENTION ON CONTAINERS, 1972,  
REGARDING CUSTOMS OR ECONOMIC UNIONS**

---

1. Insert the following new term (d) bis in Article 1 :

"(d) bis the term "Customs or Economic Union" shall mean a Union constituted by and composed of States as referred to in Article 18, paragraph 1, of the present Convention, which has competence to adopt its own legislation that is binding on its Members, in respect of matters governed by the present Convention, and has competence to decide, in accordance with its internal procedures, to accede to the present Convention;"

2. Insert the following new Article 14 bis :

"Article 14 bis

1. For the purpose of the present Convention, the territories of Contracting Parties which form a Customs or Economic Union may be taken to be a single territory.

2. Nothing in the present Convention shall prevent Contracting Parties which form a Customs or Economic Union from enacting special provisions applicable to temporary admission operations and to approval of containers for transport under Customs seal in the territory of that Union, provided those provisions do not reduce the facilities provided for by the present Convention."

3. Insert the following new paragraph 3 bis in Article 18 :

"3 bis. A Customs or Economic Union, as defined in Article 1 (d) bis, may accede to the present Convention and thereby become a Contracting Party. Such a Customs or Economic Union shall at the time of its accession inform the Secretary General of the United Nations of its competence and shall advise any subsequent changes thereto with respect to the matters governed by the present Convention. The Customs or Economic Union which

is a Contracting Party to the present Convention shall, for the matters within its competence, exercise the rights, and fulfill the responsibilities which the present Convention confers on its Members which are Contracting Parties to the present Convention. In such a case, these Members shall not be entitled to individually exercise these rights, including the right to vote, to propose amendments, to express objections to proposed amendments, and to settle disputes in accordance with Article 25."

4. Amend paragraph 2 of Article 19 as follows :

"For each State ratifying, accepting or approving the present Convention or for each State or Customs or Economic Union acceding thereto after the deposit of the fifth instrument of ratification, acceptance, approval or accession, the present Convention shall enter into force six months after the date of the deposit by such State or Customs or Economic Union of its instrument of ratification, acceptance, approval or accession."

5. Add the following new paragraph 2 to Article 6 of Annex 7, the existing text to be numbered paragraph 1 :

"2. Where Article 18, paragraph 3 bis of the present Convention applies, the Customs or Economic Unions Parties to the present Convention shall have, in case of voting, only a number of votes equal to the total votes allotted to their Members which are Contracting Parties to the present Convention."

x

x

x

AMENDMENTS TO  
ANNEXES 4 AND 6  
TO THE CUSTOMS CONVENTION ON CONTAINERS, 1972

AMENDMENT 1

Annex 4, Article 2, paragraph 2, subparagraphs (i) and (ii)

For the existing text, substitute :

- "(i) where it covers the full height from floor to roof, or, in other cases, where the space between it and the outer wall is completely enclosed, the lining inside the container shall be so fitted that it cannot be removed and replaced without leaving obvious traces, and
- (ii) where a lining is of less than full height and the spaces between the lining and the outer wall are not completely enclosed, and in all other cases where spaces occur in the construction of a container, the number of such spaces shall be kept to a minimum and these spaces shall be readily accessible for Customs inspection."

AMENDMENT 2

Annex 4, Article 4, paragraph 6

...

For the existing text, substitute :

"6. The sheet shall be fixed to the container in strict compliance with the conditions set forth in Article 1 (a) and (b) of these Regulations. The following systems can be used :

(a) The sheet can be secured by :

- (i) metal rings fixed to the containers;
- (ii) eyelets let into the edge of the sheet; and
- (iii) a fastening passing through the rings above the sheet and visible from the outside for its entire length.

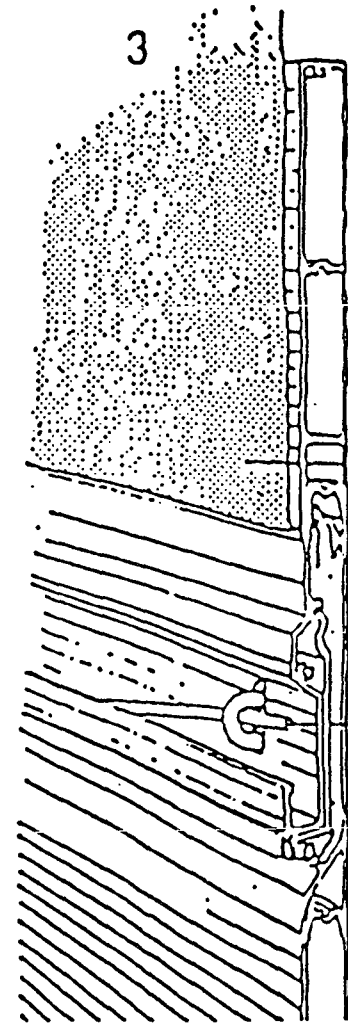
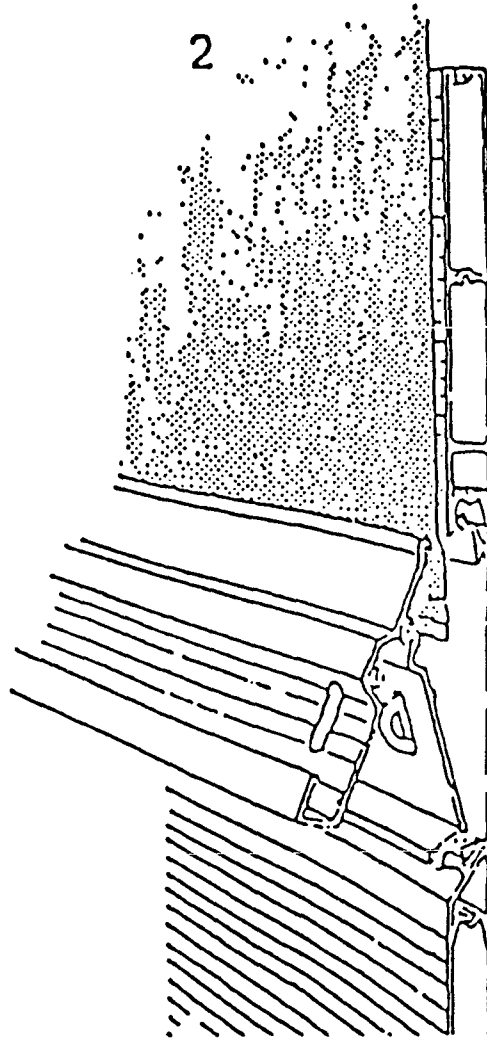
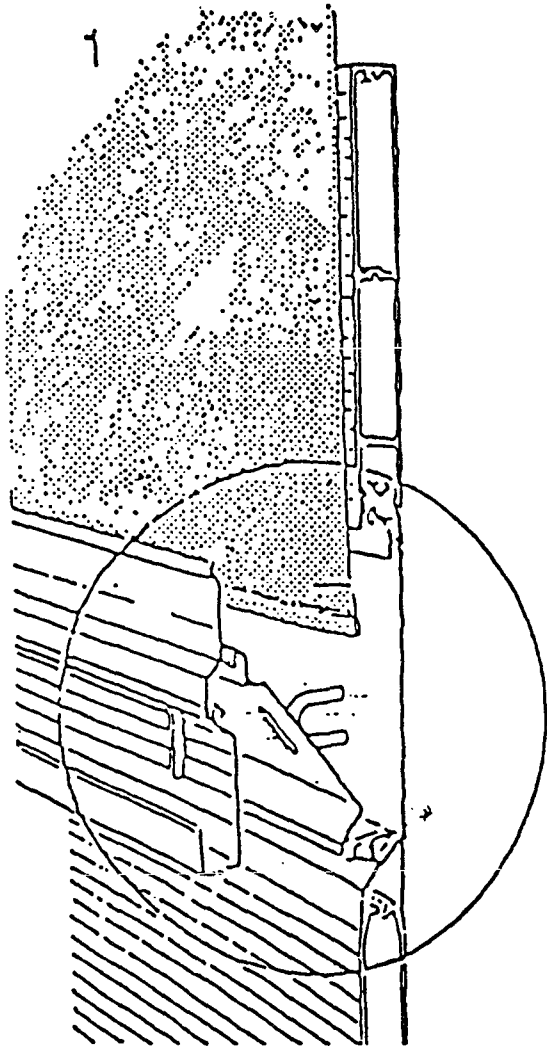
The sheet shall overlap solid parts of the container by at least 250 mm, measured from the centre of the securing rings, unless the system of construction of the container in itself prevents all access to the goods.

(b) When any edge of a sheet is to be permanently secured to a container, the two surfaces shall be joined together without a break and shall be held in place by strong devices.

(c) When a sheet locking system is used it shall in locked position join the sheet tightly to the outside of the container (as an example see sketch No. 6)."

Insert sketch No. 6 reproduced below after sketch No. 5.





EXAMPLE OF SHEET LOCKING SYSTEM

Sketch No. 16

Description

This sheet locking system is acceptable provided that it is fitted with at least one metal ring at each gate end. The openings through which the ring passes are oval and of a size just sufficient to allow the ring to pass through it. The visible part of the metal ring does not protrude more than twice the maximum thickness of the fastening rope when the system is locked.

AMENDMENT 3

Annex 4, Article 4, paragraph 9

Insert after the existing text, the following wording :

" In cases where the sheet has to be fixed to the frame in a system of construction which otherwise complies with the provisions of paragraph 6 (a) of this Article, a thong can be used as fastening (an example of such a system of construction is given in sketch No. 7 appended to these Regulations). The thong has to comply with the requirements stipulated in paragraph 11 (c) with regard to material, dimensions and shape."

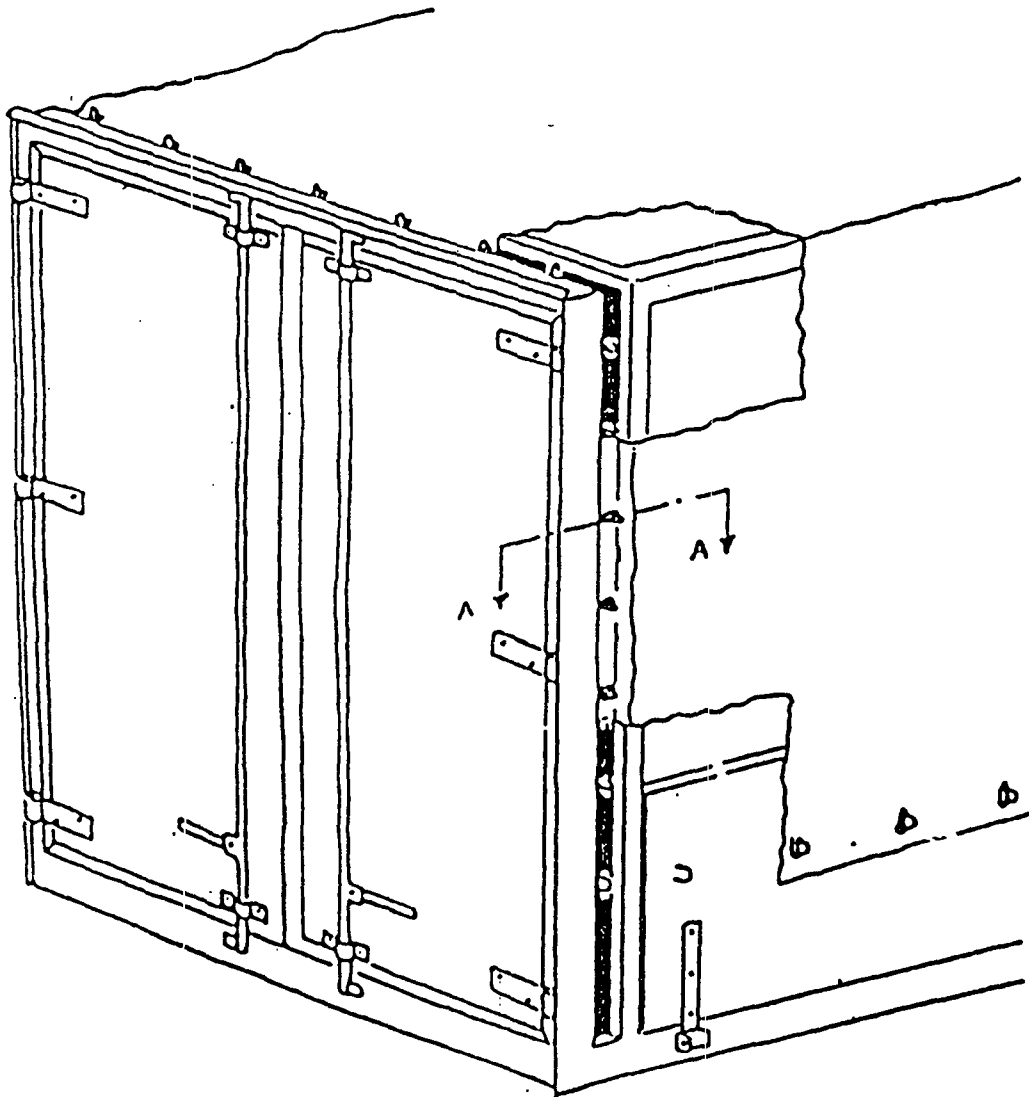


Insert sketch No. 7 reproduced below after sketch No. 6.

II/4.

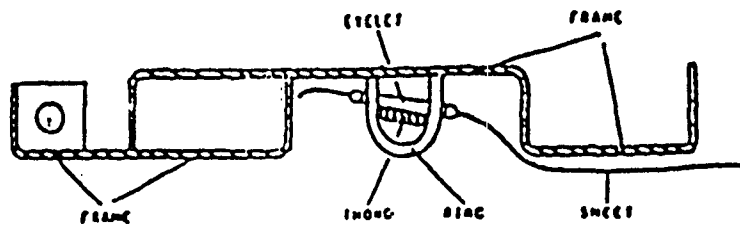
Sketch No. 7

EXAMPLE OF SHEETS FIXED TO SPECIAL-SHAPED FRAMES



A-A

VIEW OF SIDE-SECTION



Description

This fastening of the sheet to the ~~container~~ <sup>CONTAINER</sup> is acceptable provided that the rings are recessed in the profile and do not protrude more than the maximum depth of the profile. The width of the profile shall be as narrow as possible.

AMENDMENT 4

Annex 4, Article 4, paragraph 7 (new paragraph 7)

Insert, after paragraph 6, a new paragraph 7 to read :

"7. The sheet shall be supported by an adequate superstructure (uprights, sides, arches, slats, etc.)."

°  
° °



AMENDMENT 5

Annex 4, Article 4, new paragraph 8 (old paragraph 7)

For the existing text, substitute :

"8. The spaces between the rings and the spaces between the eyelets shall not exceed 200 mm. The spaces may, however, be greater but shall not exceed 300 mm between rings and eyelets on either side of the upright if the construction of the container and the sheet is such as to prevent all access to the interior of the container. The eyelets shall be reinforced."

AMENDMENT 6

Annex 4, Article 4, paragraph 10 :

Replace the present text by the following :

"At the openings in the sheet, used for loading and unloading, the two surfaces shall be joined together. The following systems can be used :

(a) The two edges of the sheet shall have an adequate overlap. They shall also be fastened by :

- (i) a flap sewn or welded in accordance with paragraphs 3 and 4 of this Article;
- (ii) rings and eyelets meeting the conditions of paragraph 8 of this Article; the rings shall be manufactured of metal; and
- (iii) a thong made of appropriate material, in one piece and unstretchable, at least 20 mm wide and 3 mm thick, passing through the rings and holding together the two edges of the sheet and the flap; the thong shall be secured inside the sheet and fitted either with
  - an eyelet to take the rope mentioned in paragraph 9 of this Article or
  - an eyelet which can be attached to a metal ring mentioned in paragraph 6 of this Article and be secured by the rope mentioned in paragraph 9 of this Article.

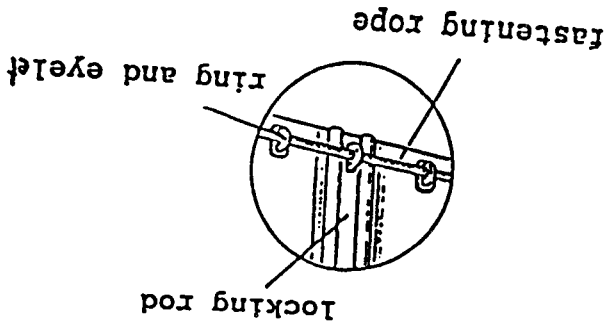
A flap shall not be required if a special device, such as a baffle plate, is fitted, which prevents access to the container without leaving obvious traces.

(b) A special locking system holding the edges of the sheets tightly locked when the container is closed and sealed. The system shall be provided with an opening through which a metal ring mentioned in paragraph 6 of this Article can pass and be secured by the rope mentioned in paragraph 9 of this Article. (see sketch No. 8 appended to these Regulations)."

New sketch No. 8 to Annex 4.

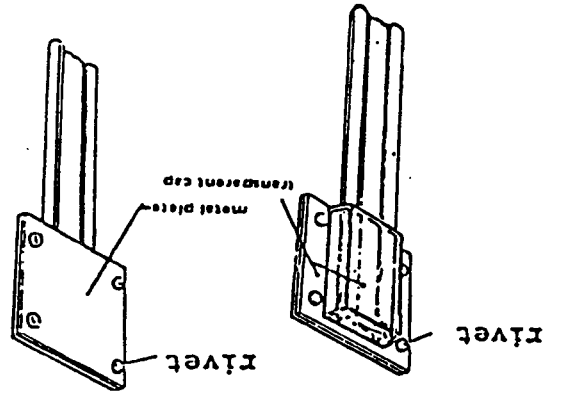
Add a new sketch No. 8 to Annex 4. Insert a description of that sketch as follows :

"In this locking system the two edges of the openings in the sheet used for loading and unloading are united by means of an aluminium locking rod. The sheet openings are provided with a hem over its entire length enclosing a rope (see sketch No. 8.1.). This makes it impossible to pull the sheet out of the locking rod's profile. The hem shall be on the outside and welded in accordance with Annex 4, Article 4, paragraph 4 to the Convention. The edges are to be passed into the open profiles on the aluminium locking rod and slid into two parallel longitudinal channels which should be closed at their lower end. When the locking rod is in its upper position the edges of the sheets are united. At the upper end of the opening the locking rod is stopped by a transparent plastic cap fixed by riveting to the sheet (see sketch No. 8.2.). The locking rod consists of two sections, joined by a riveted hinge, to allow folding for easy fitting and removal. This hinge must be designed in such a way as not to allow the removal of the swivel pin once the system is locked (see sketch No. 8.3.). At the lower part of the locking rod is an opening through which the ring passes. The opening is oval and of a size just sufficient to allow the ring to pass through it (see sketch No. 8.4.). The fastening rope will be pulled through this ring to secure the locking rod."

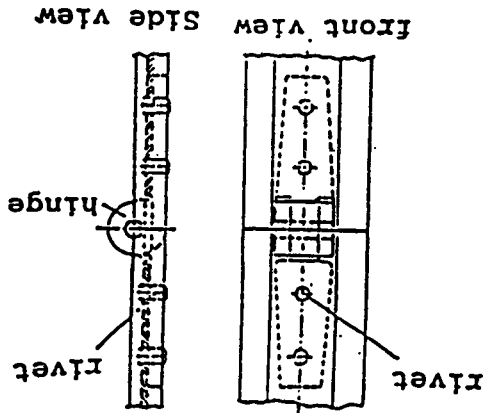


Sketch No.8.4

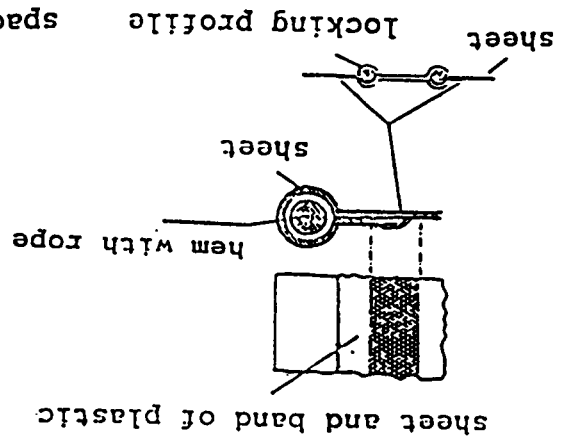
Outside view      Inside view



Sketch No.8.2

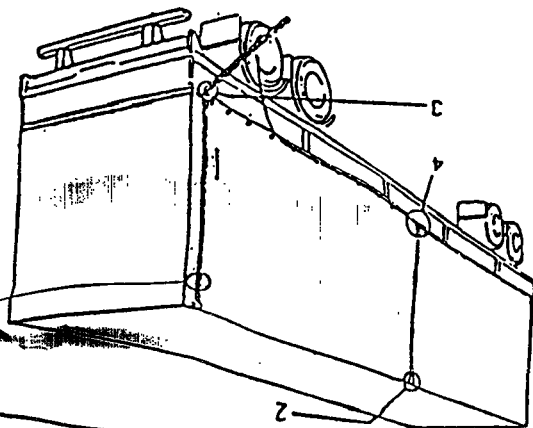


Sketch No.8.3



Sketch No.8.1

Sheet locking system at openings for loading and unloading



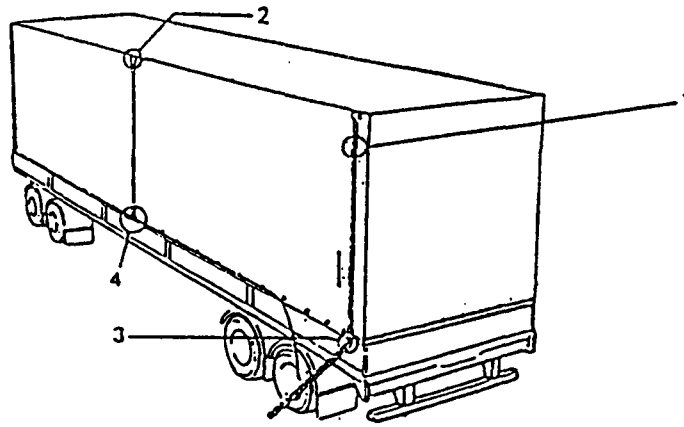
New sketch No. 8 to Annex 4.

Add a new sketch No. 8 to Annex 4. Insert a description of that sketch as follows :

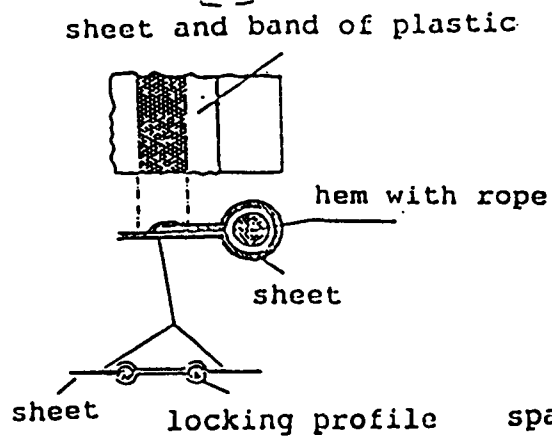
"In this locking system the two edges of the openings in the sheet used for loading and unloading are united by means of an aluminium locking rod. The sheet openings are provided with a hem over its entire length enclosing a rope (see sketch No. 8.1.). This makes it impossible to pull the sheet out of the locking rod's profile. The hem shall be on the outside and welded in accordance with Annex 4, Article 4, paragraph 4 to the Convention. The edges are to be passed into the open profiles on the aluminium locking rod and slid into two parallel longitudinal channels which should be closed at their lower end. When the locking rod is in its upper position the edges of the sheets are united. At the upper end of the opening the locking rod is stopped by a transparent plastic cap fixed by riveting to the sheet (see sketch No. 8.2.). The locking rod consists of two sections, joined by a riveted hinge, to allow folding for easy fitting and removal. This hinge must be designed in such a way as not to allow the removal of the swivel pin once the system is locked (see sketch No. 8.3.). At the lower part of the locking rod is an opening through which the ring passes. The opening is oval and of a size just sufficient to allow the ring to pass through it (see sketch No. 8.4.). The fastening rope will be pulled through this ring to secure the locking rod."

°  
° °

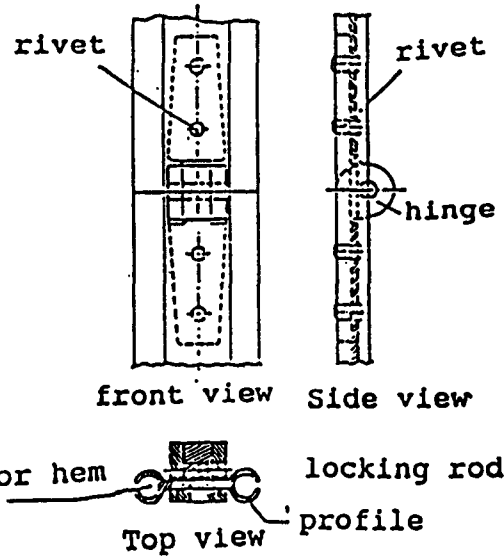
Sheet locking system at openings for loading and unloading



Sketch No.8.1

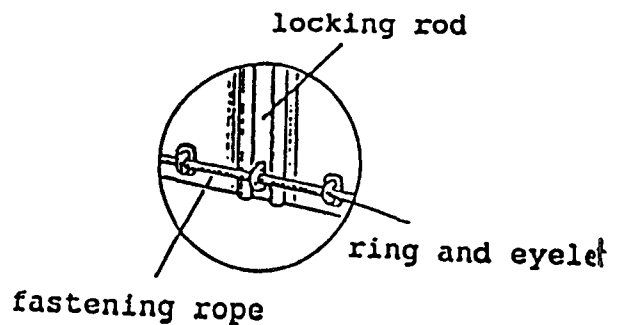
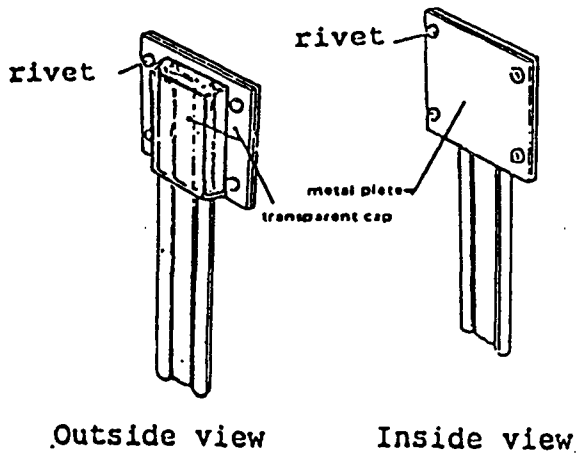


Sketch No.8.3



Sketch No.8.2

Sketch No.8.4



AMENDMENT 7

Annex 4, Article 4, paragraphs 7-11

Renumber the existing paragraphs 7-11 as 8-12.

°  
° °

AMENDMENT 8

Annex 6, Explanatory Note 4.2.1.(a)-1 (c)

Add a new third sentence as follows :

"However, blind rivets can be used on condition that a sufficient number of other joining devices as described in Annex 6, Explanatory Note 4.2.1.(a)-1 (a) to the Convention are used to assemble constituent parts."

o

o o



AMENDMENT 9

Annex 6, Explanatory Note 4.2.1.(b)-1 - Subparagraph (b)

Replace the existing second sentence by the following :

"Moreover, the various components of such devices (e.g. hinge plates, pins or swivels), provided that they are necessary to guarantee Customs security of the container (see sketch No. 7 appended to this Annex), shall be so fitted that they cannot be removed or dismantled when the container is closed and sealed without leaving obvious traces."

o

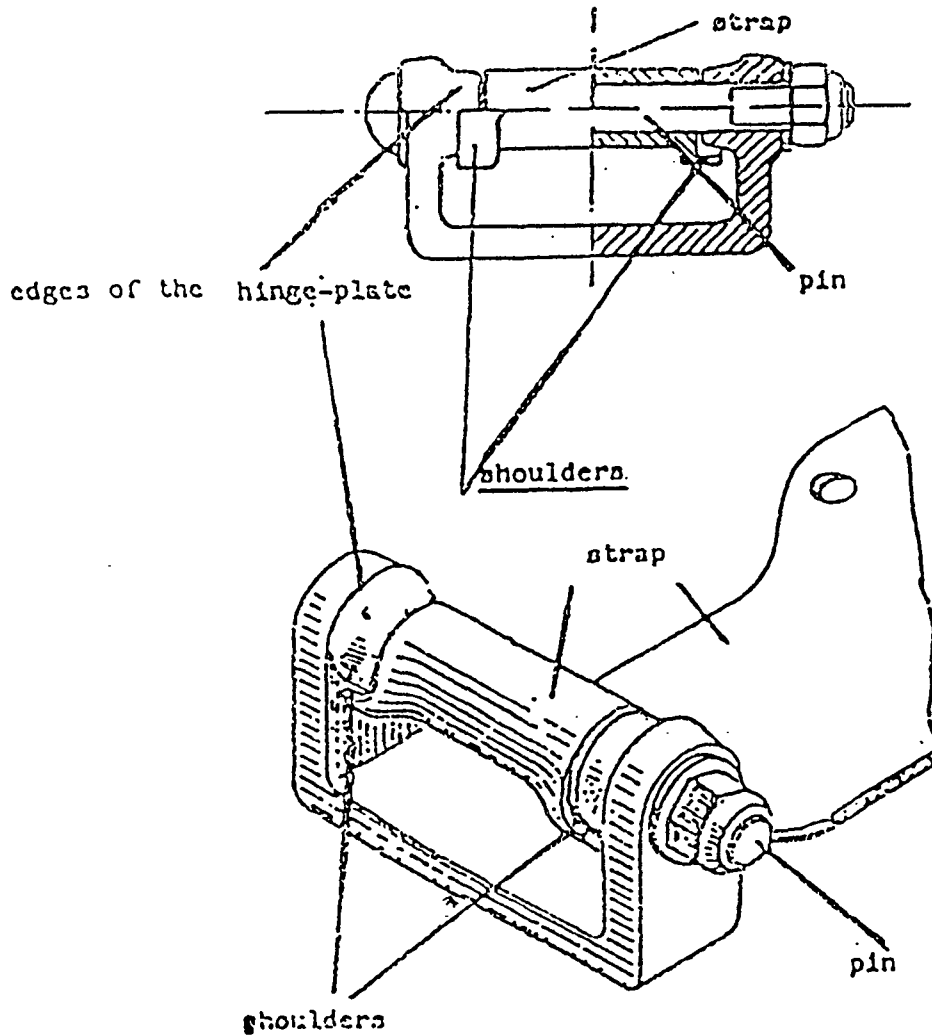
o o

Insert sketch No. 7 reproduced below after sketch No. 6.

Sketch No. 7

Example of a hinge not requiring special protection for the hinge-pin

The hinge illustrated below complies with the requirements of Explanatory Note 4.2.1 (b)-1, paragraph (b), second sentence. The design of the strap and the hinge-plate make any special protection of the pin unnecessary, since the shoulders of the strap extend behind the edges of the hinge-plate. These shoulders therefore prevent the Customs-sealed door from being opened at the hinged side without leaving obvious traces, even if the unprotected pin has been removed.



AMENDMENT 10

Annex 6, Explanatory Note 4.2.1.(b)-1 Subparagraph (c)

For the existing text substitute :

"(c) Exceptionally, in the case of insulated containers, the Customs sealing device, the hinges and any fittings the removal of which would give access to the interior of the container or to spaces in which goods could be concealed, may be fixed to the doors of such containers by means of the following systems :

(i) Set bolts or set screws which are inserted from the outside but which do not otherwise meet the requirements of Explanatory Note 4.2.1.(a)-1, subparagraph (a) above, on condition that :

the tails of the set bolts or set screws are fixed into a tapping plate or similar device fitted behind the outer layer or layers of the door structure; and

the heads of the appropriate number of set bolts or set screws are so welded to the Customs sealing device, hinges etc., that they are completely deformed and that the set bolts or set screws cannot be removed without leaving visible signs of tampering (see sketch No. 4 appended to this Annex).

(ii) A fastening device which is inserted from the inside of the insulated door construction on condition that :

the fastening pin and securing collar of the device are assembled by pneumatic or hydraulic tooling and fixed behind a plate or similar device fitted between the outer layer of the door structure and the insulation;

the head of the fastening pin is not accessible from the inside of the container; and

a sufficient number of securing collars and fastening pins are welded together and the devices cannot be removed without leaving visible signs of tampering (see sketch No. 8 appended to this Annex).

The term "insulated container" is to be taken to include refrigerated and isothermic containers."

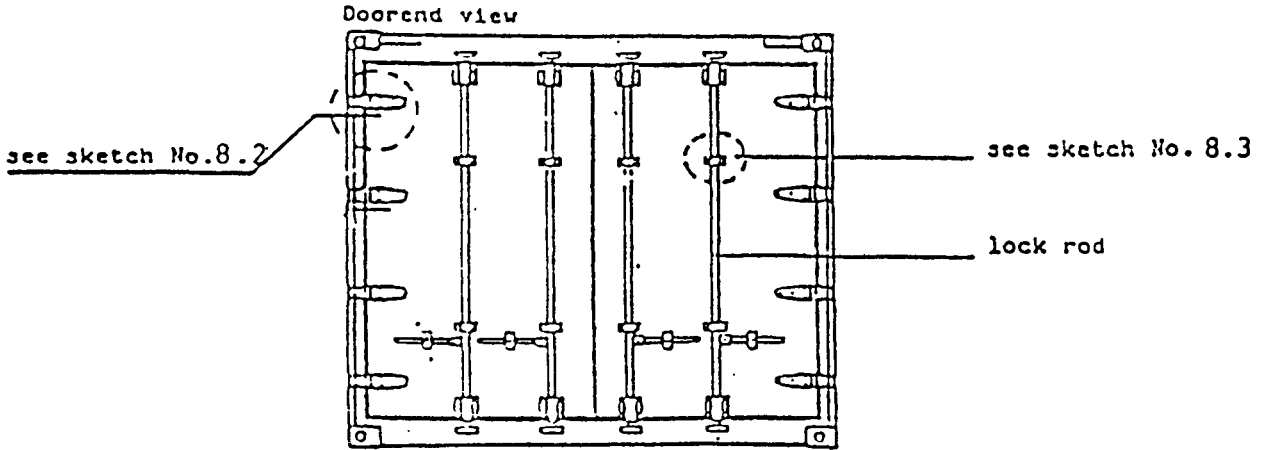
Insert sketch No. 8 reproduced below after sketch No. 7.

o

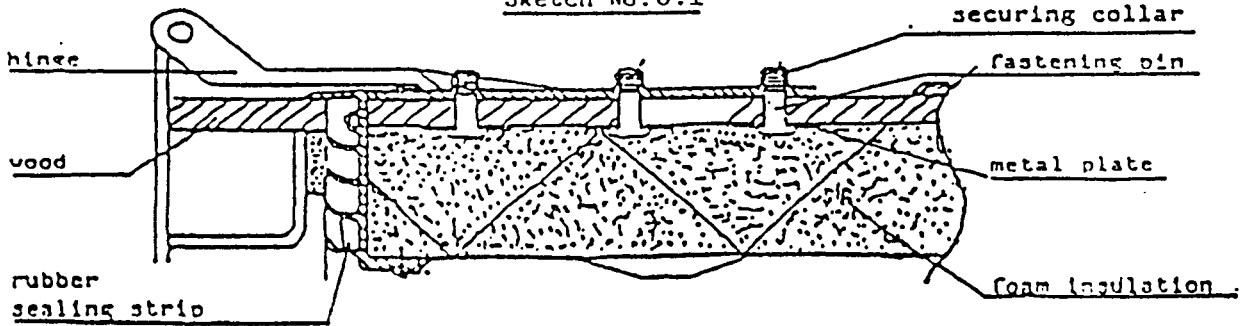
o      o

Sketch No. 8

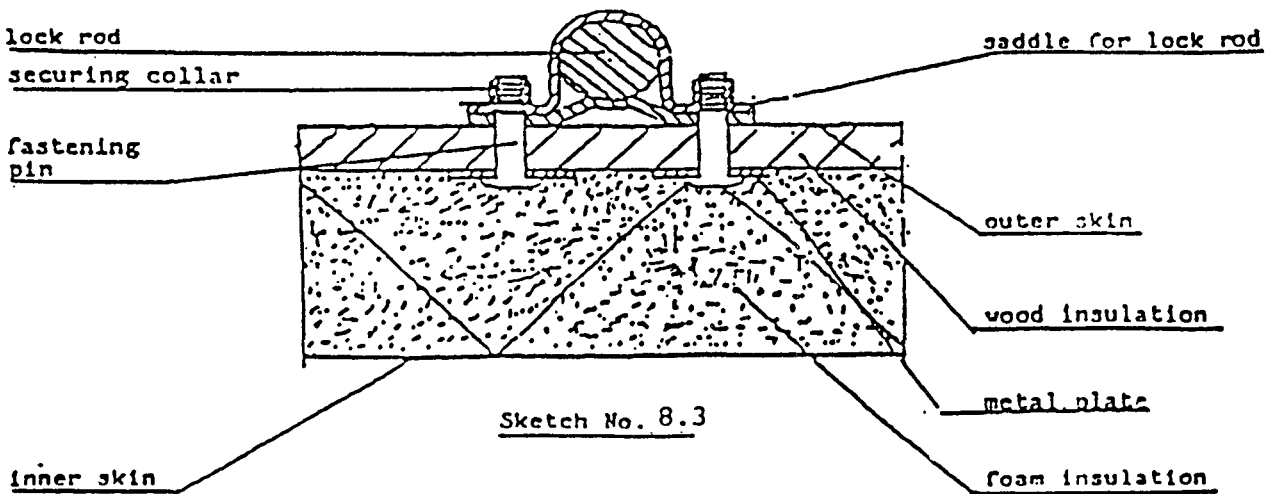
EXAMPLE OF A FASTENING DEVICE INSERTED FROM THE  
INSIDE OF INSULATED DOOR CONSTRUCTION



Sketch No. 8.1



Sketch No. 8.2



Sketch No. 8.3

AMENDMENT 11

Annex 6, Explanatory Note 4.2.1.(c)-1, subparagraph (b)

Replace the existing text by the following :

"(b) Apertures permitting direct access to the container, must be obstructed :

- (i) by means of wire gauze or perforated metal screens (maximum dimension of holes 3 mm in both cases) and protected by welded metal lattice-work (maximum dimension of holes : 10 mm); or
- (ii) by means of a single perforated metal screen of sufficient strength (maximum dimension of holes : 3 mm; thickness of the screen : at least 1 mm)."

AMENDMENT 12

Annex 6, Explanatory Note 4.2.1(c)-1, subparagraph (c)

Replace the existing text by the following :

"(c) Apertures not permitting direct access to the container (e.g. because of elbow or baffle-plate systems) must be provided with devices referred to in subparagraph (b), in which, however, the dimensions of the holes may be as much as 10 mm (for the wire gauze or metal screen) and 20 mm (for the metal lattice-work)."

o

o o

AMENDMENT 13

Annex 6, Explanatory Note 4.4.7.1

Replace the existing text and the preceding title by the following :

Paragraph 8 - Spaces between the rings and between the eyelets.

4.4.8.-1 Spaces exceeding 200 mm but not exceeding 300 mm are acceptable over the uprights if the rings are recessed in the side boards and the eyelets are oval and so small that they can just pass over the rings.

Annex 6, Explanatory Note 4.4.8.-1

Change the number of this Explanatory Note to 4.4.9-1 and replace "Paragraph 8" in its title by "Paragraph 9".

Annex 6, Explanatory Note 4.4.10.(a)-1

Change the number of this Explanatory Note to 4.4.11.(a)(i) and replace "Subparagraph 10(a)" in its title by "Subparagraph 11.(a)(i)".

Annex 6, Explanatory Note 4.4.10.(c)-1

Change the number of this Explanatory Note to 4.4.11.(a)(iii) - 1 and replace "Subparagraph 10.(c)" in its title by "Subparagraph 11.(a)(iii)".

Annex 6, Explanatory Note 4.4.10.(c)-2

Change the number of this Explanatory Note to 4.4.11.(a)(iii)-1 and replace "Subparagraph 10" in its text by "subparagraph 11.(a)".

Annex 6, sketch No. 3

Replace "paragraph 10" in the explanation of this sketch by "subparagraph 11.(a)".

x

x

x

AMENDEMENTS A APPORTER A LA CONVENTION DOUANIERE  
RELATIVE AUX CONTENEURS, 1972  
CONCERNANT LES UNIONS DOUANIERES OU ECONOMIQUES

1. Ajouter le nouveau point d) bis suivant, à l'Article 1 :

" d) bis, par "Union douanière ou économique", une Union constituée et composée par des Etats visés à l'Article 18, paragraphe 1 de la présente Convention et ayant compétence pour adopter sa propre législation qui est obligatoire pour ses Membres dans les matières couvertes par la présente Convention et pour décider, selon ses procédures internes, d'adhérer à la présente Convention".

2. Ajouter le nouvel Article 14 bis suivant :

"Article 14 bis

1. Pour l'application de la présente Convention, les territoires des Parties contractantes qui forment une Union douanière ou économique peuvent être considérés comme un seul territoire.

2. Aucune disposition de la présente Convention n'exclut le droit pour les Parties contractantes qui forment une Union douanière ou économique de prévoir des règles particulières applicables aux opérations d'admission temporaire et à l'agrément des conteneurs pour le transport de marchandises sous scellement douanier sur le territoire de cette Union, pour autant que ces règles ne diminuent pas les facilités prévues par la présente Convention."

3. Ajouter le nouveau paragraphe 3 bis suivant à l'Article 18 :

"3 bis. Une Union douanière ou économique, telle que définie au paragraphe d) bis de l'Article 1, peut devenir Partie contractante en adhérant à la présente Convention. Une telle Union douanière ou économique informe au moment de son adhésion le Secrétaire Général de l'Organisation des Nations Unies sur sa compétence et lui notifie tout changement intervenu ultérieurement dans celle-ci en relation avec les matières couvertes par la présente Convention. Cette Union douanière ou économique, Partie contractante à la présente Convention, exerce, pour les questions qui relèvent de sa compétence les droits et s'acquitte des responsabilités que la présente Convention confère à ses Membres qui sont Parties contractantes à la présente Convention. En pareil cas, ces Membres ne sont pas habilités à exercer individuellement ces droits, y compris le droit de vote, de proposer des amendements, d'élever des objections contre les propositions d'amendements et de régler des différends en application de l'Article 25."



4. Amender le paragraphe 2 de l'Article 19 comme suit :

"Pour chaque Etat qui ratifiera, acceptera ou approuvera la présente Convention ou pour chaque Etat ou Union douanière ou économique qui y adhérera après le dépôt du cinquième instrument de ratification, d'acceptation, d'approbation ou d'adhésion, la présente Convention entrera en vigueur six mois après la date du dépôt, par cet Etat ou Union douanière ou économique, de son instrument de ratification, d'acceptation, d'approbation ou d'adhésion."

5. Ajouter le nouveau paragraphe 2 suivant à l'Article 6 de l'Annexe 7. Le texte actuel devient paragraphe 1 :

"2. En cas d'application de l'Article 18 paragraphe 3 bis de la présente Convention, les Unions douanières ou économiques Parties à la présente Convention ne disposent en cas de vote que d'un nombre de voix égal au total des voix attribuables à leurs Membres qui sont Parties contractantes à la présente Convention."

x

x

x

AMENDEMENTS AUX ANNEXES 4 ET 6  
DE LA CONVENTION DOUANIERE RELATIVE  
AUX CONTENEURS, 1972

AMENDEMENT 1

Annexe 4, Article 2, paragraphe 2, alinéas i) et ii)

Remplacer le texte actuel par le texte suivant :

- " i) Si le revêtement intérieur du conteneur recouvre la paroi sur toute sa hauteur du plancher au toit ou, dans d'autres cas, si l'espace existant entre ce revêtement et la paroi extérieure est entièrement clos, ledit revêtement devra être posé de telle sorte qu'il ne puisse pas être démonté et remis en place sans laisser de traces visibles, et
  
- ii) Si le revêtement ne recouvre pas la paroi sur toute sa hauteur et si les espaces qui le séparent de la paroi extérieure ne sont pas entièrement clos, et dans tous les autres cas où la construction du conteneur engendre des espaces, le nombre desdits espaces devra être réduit au minimum et ces espaces devront être aisément accessibles pour les visites douanières."

## AMENDEMENT 2

### Annexe 4, Article 4, paragraphe 6

Remplacer le texte actuel par le texte suivant :

"6. La bâche sera fixée au conteneur de façon à répondre strictement aux conditions des alinéas a) et b) de l'article premier du présent Règlement. Les systèmes suivants pourront être utilisés :

a) La bâche pourra être fixée par :

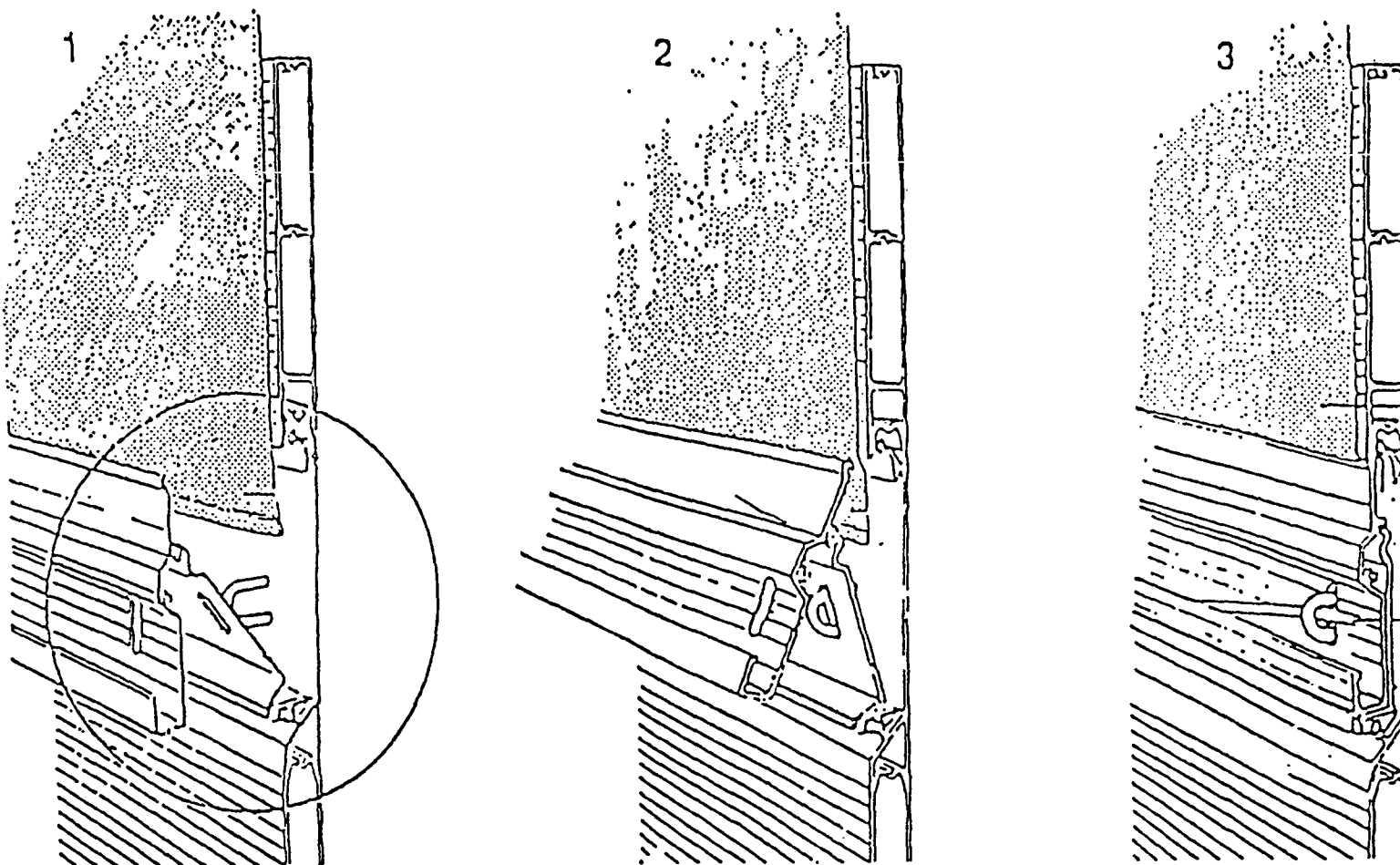
- i) des anneaux métalliques apposés aux conteneurs;
- ii) des oeillets ménagés dans le bord de la bâche; et
- iii) un lien de fermeture passant dans les anneaux pardessus la bâche et restant visible de l'extérieur sur toute sa longueur.

La bâche recouvrira des éléments solides du conteneur sur une distance d'au moins 250 mm, mesurée à partir du centre des anneaux de fixation, sauf dans le cas où le système de construction du conteneur empêcherait par lui-même tout accès aux marchandises.

b) Lorsque le bord d'une bâche doit être attaché de manière permanente au conteneur, les deux surfaces doivent être assemblées sans interruption et doivent être maintenues en place au moyen de dispositifs solides.

c) Lorsqu'un système de verrouillage de bâche est utilisé, il doit, en position verrouillée, raccorder la bâche de façon étanche à l'extérieur du conteneur (à titre d'exemple, voir le croquis n° 6).

Insérer le croquis n° 6 reproduit ci-après à la suite du croquis n° 5.



EXEMPLE DE SYSTEME DE VERROUILLAGE DE BACHE

Annexe 6  
 Croquis N° 6

Description :  
 Le présent système de verrouillage de bâche peut être autorisé à condition qu'il soit muni d'au moins un anneau métallique à chaque extrémité de porte. Les ouvertures ménagées pour le passage de l'anneau sont ovales et de dimensions juste suffisantes pour permettre le passage de l'anneau. La saillie de la partie visible de l'anneau métallique ne dépasse pas le double du diamètre maximal du câble de fermeture lorsque le système est verrouillé.

### AMENDEMENT 3

#### Annexe 4, Article 4, paragraphe 9

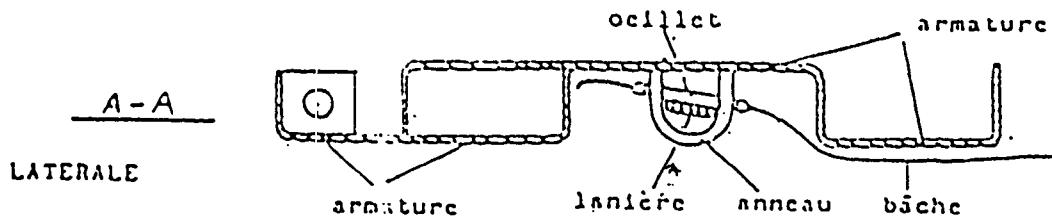
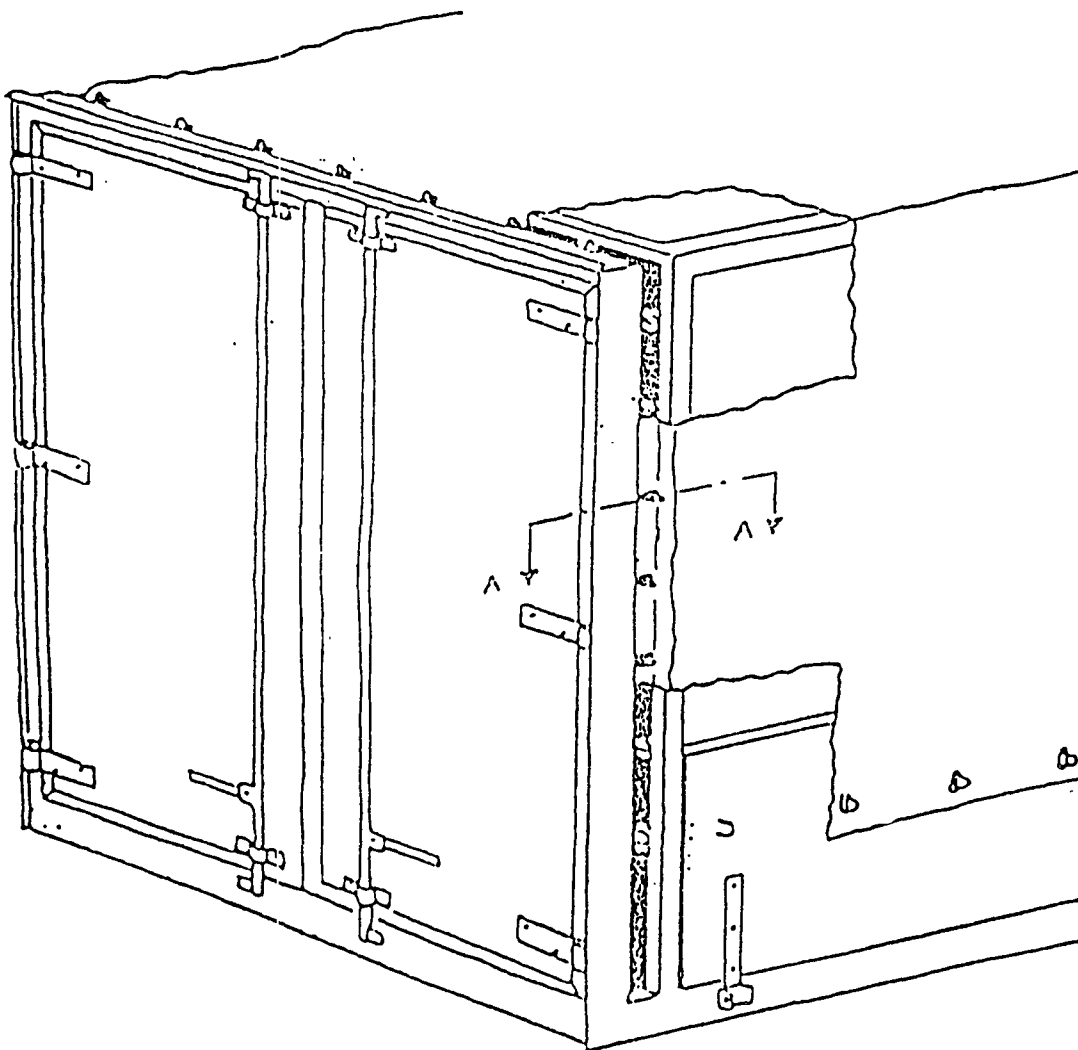
Ajouter ce qui suit après le texte actuel :

" Dans les cas où la bâche doit être fixée à l'armature dans un système de construction qui, par ailleurs, est conforme aux dispositions du paragraphe 6 a) du présent article, on peut utiliser une lanière comme moyen de fixation (le croquis n° 7 joint au présent Règlement, montre un exemple de système de construction de ce type). La lanière doit être conforme aux prescriptions stipulées au paragraphe 11 c) en ce qui concerne sa matière, ses dimensions et sa forme."

Insérer le croquis n° 7 reproduit ci-après à la suite du croquis n° 6.

Annexe 4  
Croquis No 7

EXEMPLE DE BACHE FIXEE A UNE ARMATURE SPECIALEMENT CONCUE



Description

Cette fixation de la bâche aux conteneurs est acceptable à condition que les anneaux soient encastrés dans le profil et que leur partie extérieure ne dépasse pas la profondeur maximum du profil. La largeur du profil doit être aussi réduite que possible.

AMENDEMENT 4

Annexe 4, Article 4, paragraphe 7 (nouveau paragraphe 7)

Insérer, après le paragraphe 6, le nouveau paragraphe 7 suivant :

"7. La bâche sera supportée par une superstructure adéquate (montants, parois, arceaux, lattes, etc.)."

AMENDEMENT 5

Annexe 4, Article 4, nouveau paragraphe 8 (ancien paragraphe 7)

Remplacer le texte actuel par le texte suivant :

"8. L'intervalle entre les anneaux et entre les oeilletons ne dépassera pas 200 mm. Toutefois, il pourra être supérieur à cette valeur, sans cependant dépasser 300 mm, entre les anneaux et entre les oeilletons situés de part et d'autre d'un montant, si le mode de construction du conteneur et de la bâche est tel qu'il interdise tout accès à l'intérieur du conteneur. Les oeilletons seront renforcés."



## AMENDEMENT 6

### Annexe 4, Article 4, paragraphe 10 :

Nouvelle rédaction :

"Aux ouvertures servant au chargement et au déchargement pratiquées dans la bâche, les deux surfaces seront jointes. On pourra utiliser les systèmes suivants :

a) Les deux bords de la bâche se chevaucheront de façon suffisante. En outre, leur fermeture sera assurée par :

- i) un rabat cousu ou soudé conformément aux paragraphes 3 et 4 du présent article;
- ii) des anneaux et des oeillets satisfaisant aux conditions du paragraphe 8 du présent article; ces anneaux devront être fabriqués en métal; et
- iii) une courroie faite d'une matière appropriée, d'une seule pièce et non extensible, d'au moins 20 mm de largeur et 3 mm d'épaisseur, passant dans les anneaux et retenant ensemble les deux bords de la bâche ainsi que le rabat; cette courroie sera fixée à l'intérieur de la bâche et pourvue :
  - soit d'un oeillet pour recevoir le câble ou la corde visé au paragraphe 9 du présent article,
  - soit d'un oeillet qui puisse être appliqué sur l'anneau métallique visé au paragraphe 9 du présent article.

Lorsqu'il existe un dispositif spécial (chicane, etc.) empêchant d'avoir accès au conteneur sans laisser de traces visibles, un rabat ne sera pas exigé.

b) Un système spécial de verrouillage tenant les bords des bâches étroitement serrés lorsque le conteneur est fermé et scellé. Ce système sera muni d'une ouverture à travers laquelle l'anneau de métal visé au paragraphe 6 du présent article pourra passer et être assujéti par la corde ou le câble visé au paragraphe 9 du présent article. (Voir le croquis n° 8 joint au présent Règlement)."

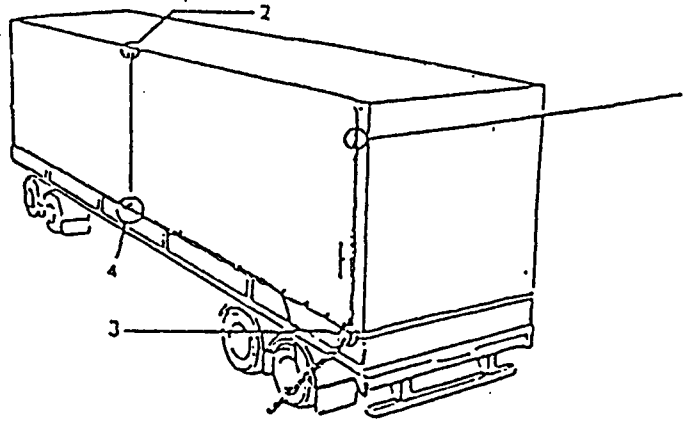
Nouveau croquis n° 8 à l'Annexe 4.

Ajouter un nouveau croquis n° 8 à l'annexe 4. Insérer une description de ce croquis comme suit :

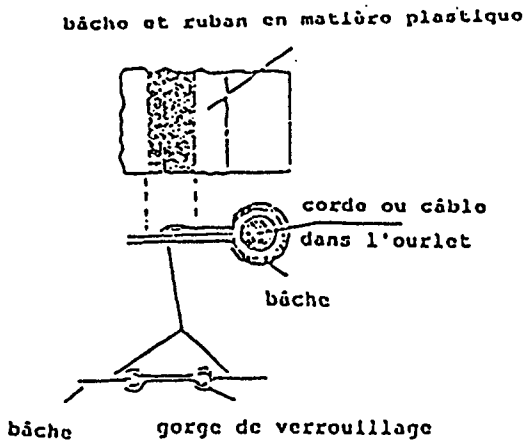
"Avec ce système de verrouillage, les deux bords des ouvertures de la bâche utilisées pour le chargement et le déchargement sont réunis par une tige de verrouillage en aluminium. Sur toute leur longueur, les ouvertures de la bâche sont munies d'une corde ou d'un câble enserrés dans un ourlet (voir croquis 8.1), de telle sorte qu'il est impossible de sortir la bâche de la gorge de la tige de verrouillage. L'ourlet est du côté extérieur et soudé selon les prescriptions du paragraphe 4 de l'article 4 de l'annexe 4 à la Convention. Les bords doivent être introduits dans les gorges de la tige de verrouillage en aluminium puis poussés dans les deux glissières longitudinales parallèles. Quand la tige de verrouillage est en position verticale, les bords de la bâche sont réunis. A la limite supérieure de l'ouverture, la tige de verrouillage est bloquée par une plaque de plastique transparent rivetée à la bâche (voir croquis 8.2). La tige de verrouillage est en deux parties, reliées par une charnière rivetée, ce qui permet de la plier pour la mettre en place ou l'enlever plus facilement. Cette charnière doit être conçue de manière à empêcher que l'on puisse enlever la broche quand le système est verrouillé (voir croquis 8.3). Une ouverture est ménagée en bas de la tige de verrouillage pour laisser passer l'anneau. Cette ouverture est ovale et permet tout juste le passage de l'anneau (voir croquis 8.4). La corde ou le câble de fermeture sont passés dans cet anneau pour bloquer la tige de verrouillage."

Croquis No 8

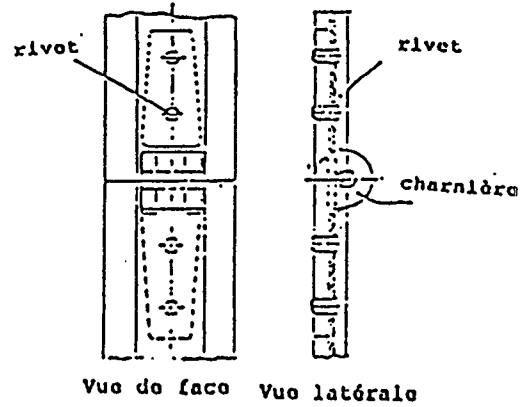
Bâche à ouverture de chargement et de déchargement



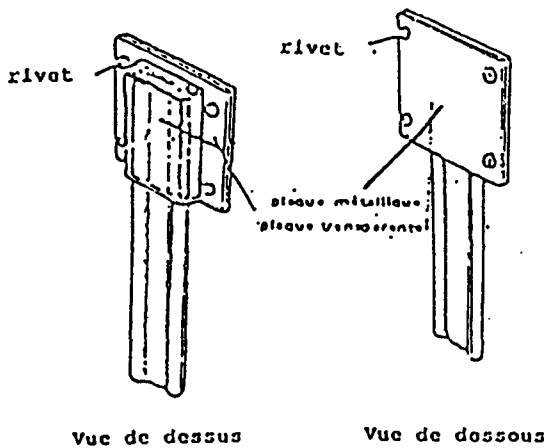
Croquis 8.1



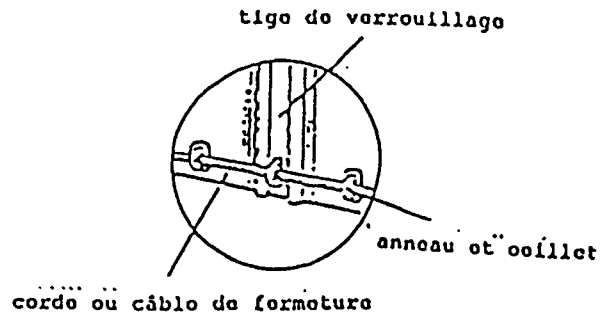
Croquis 8.3.



Croquis 8.2



Croquis 8.4



AMENDEMENT 7

Annexe 4, Article 4, paragraphes 7 à 11

Les paragraphes 7 à 11 deviennent les paragraphes 8 à 12.

## AMENDEMENT 8

### Annexe 6, Note explicative 4.2.1.a)-1 c)

Ajouter une troisième phrase rédigée comme suit :

"Néanmoins, les rivets aveugles peuvent servir à condition qu'un nombre suffisant d'autres dispositifs d'assemblage décrit dans la Note explicative 4.2.1.a)-1 a) de l'annexe 6 à la Convention soit utilisé pour l'assemblage des éléments constitutifs."

## AMENDEMENT 9

### Annexe 6, Note explicative 4.2.1.b)-1 - alinéa b)

Remplacer la deuxième phrase du texte actuel par le texte suivant :

"De plus, les différentes parties constitutives des dispositifs d'attache (axes ou tiges des charnières ou des gonds, par exemple), pour autant qu'elles soient indispensables pour garantir la sécurité douanière du conteneur (voir croquis n° 7 joint à la présente annexe), seront agencées de manière à ne pas pouvoir être enlevées ou démontées sans laisser de traces visibles lorsque le conteneur est fermé et scellé."

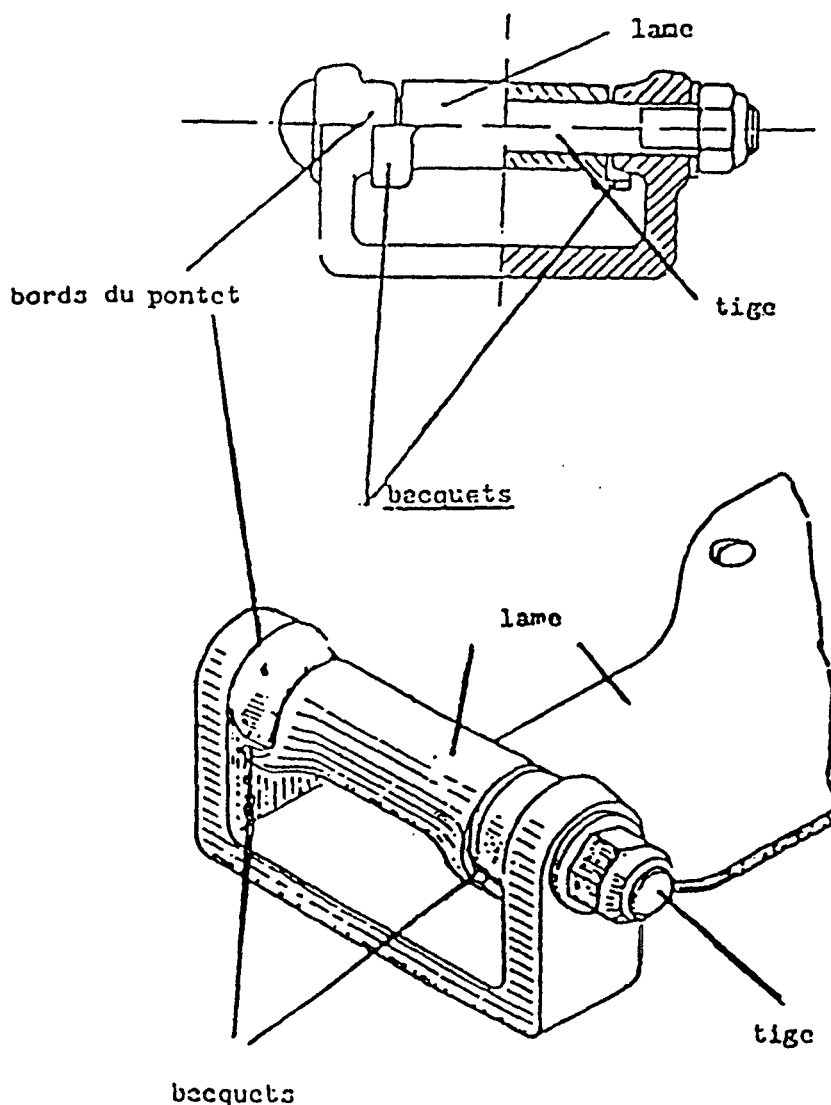
Insérer le croquis n° 7 reproduit ci-après à la suite du croquis n° 6.

Annexe 6

Croquis No. 7

Exemple de charnière ne nécessitant pas de protection particulière de la tige

La charnière représentée ci-après est conforme aux prescriptions énoncées dans la deuxième phrase du paragraphe b) de la note 4.2.1.b-1). La conception de la lame et du pontet rend superflue toute protection particulière de la tige, étant donné que les becquets de la lame remontent jusque derrière les extrémités du pontet. Ces becquets empêchent ainsi que la porte scellée par la douane puisse être ouverte au niveau du dispositif d'attache sans laisser de traces visibles, même si la tige non protégée a été enlevée.



## AMENDEMENT 10

Annexe 6, Note explicative 4.2.1.b)-1, alinéa c)

Remplacer le texte existant par le suivant :

"c) Exceptionnellement, dans le cas de conteneurs calorifugés, le dispositif de scellement douanier, les charnières et les autres pièces dont l'enlèvement permettrait d'accéder à l'intérieur du conteneur ou à des espaces dans lesquels des marchandises pourraient être cachées, peuvent être fixés aux portes de ce conteneur au moyen des systèmes suivants :

- i) Des boulons ou des vis de fixation introduits depuis l'extérieur mais qui ne satisfont pas par ailleurs aux exigences de l'alinéa a) de la note explicative 4-2-1. a)-1 ci-dessus, sous réserve :

que les pointes des boulons ou des vis de fixation soient ancrées dans une plaque taraudée ou dans un dispositif semblable monté derrière le panneau extérieur de la porte; et

que les têtes d'un nombre approprié de ces boulons ou de ces vis de fixation soient soudées au dispositif de scellement douanier, aux charnières, etc., de telle manière qu'elles soient complètement déformées et que l'on ne puisse enlever les boulons ou les vis de fixation sans laisser de traces visibles (voir croquis n° 4 joint à la présente annexe).

- ii) Un dispositif de fixation introduit de l'intérieur de la porte isolée, sous réserve :

que la tige de fixation et le collier de blocage du dispositif soient assemblés au moyen d'un outillage pneumatique ou hydraulique et soient fixés derrière une plaque ou un dispositif analogue inséré entre le revêtement extérieur de la porte et l'isolant; et

que la tête de la tige de fixation ne soit pas accessible de l'intérieur du conteneur; et

qu'un nombre suffisant de colliers de blocage et de tiges de fixation soient soudés ensemble et qu'il ne soit pas possible d'enlever les dispositifs sans laisser de traces visibles (voir croquis n° 8 joint à la présente annexe).

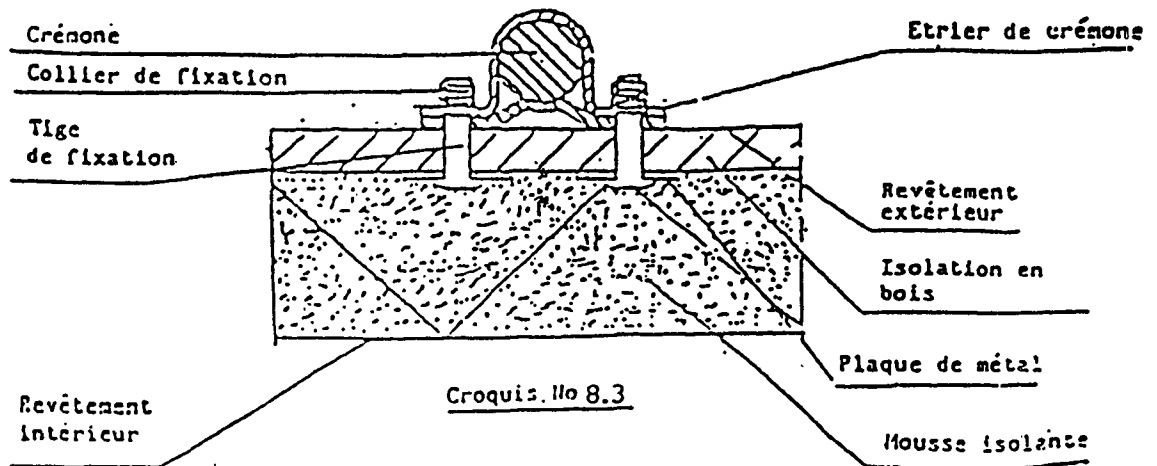
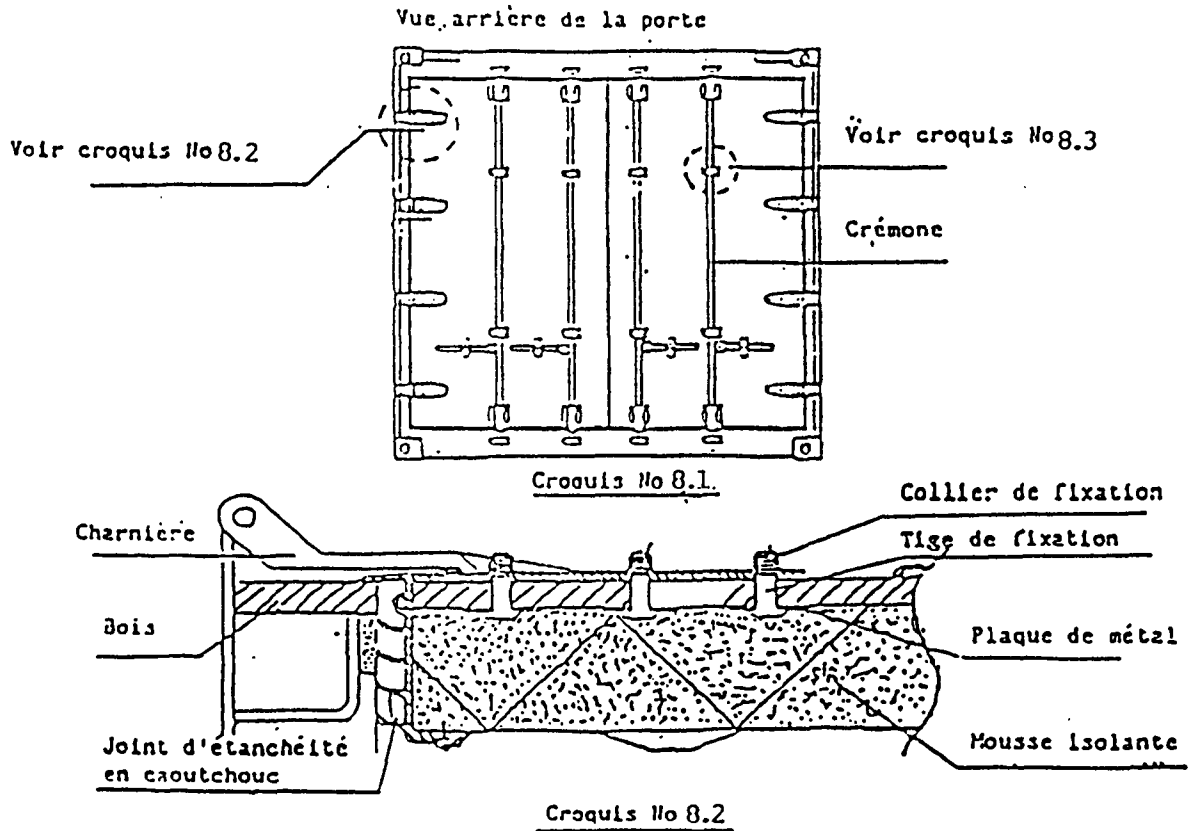
Le terme "conteneur calorifugé" doit être interprété comme s'appliquant aux conteneurs frigorifiques et isothermes.

Insérer le croquis n° 8 reproduit ci-après à la suite du croquis n° 7.



Annexe 6  
Croquis No 8

EXEMPLE DE DISPOSITIF DE FIXATION INTRODUIT  
DE L'INTERIEUR DE LA PORTE ISOLEE



## AMENDEMENT 11

### Annexe 6, Note explicative 4.2.1,c)-1, alinéa b)

Remplacer le texte actuel par :

"b) Les ouvertures permettant l'accès direct au conteneur seront obturées :

- i) par une toile métallique ou une plaque métallique perforée (dimension maximale des trous : 3 mm dans les deux cas) et protégée par un grillage métallique soudé (dimension maximale des mailles : 10 mm); ou
- ii) par une plaque métallique perforée unique d'épaisseur suffisante (dimension maximale des trous : 3 mm; épaisseur de la plaque : au moins 1 mm)."

## AMENDEMENT 12

Annexe 6, Note explicative 4.2.1.c)-1, alinéa c)

Remplacer le texte actuel par :

"c) Les ouvertures ne permettant pas l'accès direct au conteneur (par exemple du fait de l'utilisation de systèmes de coudes ou de chicanes) doivent être munies des dispositifs mentionnés à l'alinéa b), dans lesquels cependant les dimensions des trous et mailles peuvent atteindre 10 mm (pour la toile métallique ou la plaque métallique) et 20 mm (pour le grillage métallique)."

## AMENDEMENT 13

### Annexe 6, Note explicative 4.4.7.-1

Remplacer le texte actuel et le titre qui précède par ce qui suit :

Paragraphe 8 - Espaces entre les anneaux et les oeillets.

4.4.8.-1 Les espaces supérieurs à 200 mm mais ne dépassant pas 300 mm sont admissibles au-dessus des montants si les anneaux sont encastrés dans les panneaux latéraux et si les oeillets sont ovales et suffisamment petits pour passer tout juste au-dessus des anneaux.

### Annexe 6, Note explicative 4.4.8.-1

Renommer cette Note explicative 4.4.9.-1 et remplacer dans le titre "paragraphe 8" par "paragraphe 9".

### Annexe 6, Note explicative 4.4.10.a)-1

Renommer cette Note explicative 4.4.11.a) i) et remplacer dans le titre "sous-paragraphe 10.a)" par "sous-paragraphe 11.a) i)".

### Annexe 6, Note explicative 4.4.10.c)-1

Renommer cette Note explicative 4.4.11.a) iii)-1 et remplacer dans le titre "sous-paragraphe 10.c)" par "sous-paragraphe 11.a) iii)".

### Annexe 6, Note explicative 4.4.10.c)-2

Renommer cette Note explicative 4.4.11.a) iii)-1 et remplacer dans le texte "sous-paragraphe 10" par "sous-paragraphe 11.a)".

### Annexe 6, croquis n° 3

Remplacer dans l'explication qui accompagne ce croquis "paragraphe 10" par "sous-paragraphe 11.a)".

x

x

x

**ПОПРАВКИ К ТАМОЖЕННОЙ КОНВЕНЦИИ,  
КАСАЮЩЕЙСЯ КОНТЕЙНЕРОВ, 1972 Г.,  
ОТНОСЯЩИЕСЯ К ТАМОЖЕННЫМ И ЭКОНОМИЧЕСКИМ СОЮЗАМ**

---

1. Дополнить статью 1 следующим новым пунктом d) bis:

« d) bis термин «таможенный или экономический союз» означает какой-либо союз, образованный государствами, указанными в пункте 1 статьи 18 настоящей Конвенции, и состоящий из них, и правомочный принимать своё собственное законодательство, являющееся обязательным для его членов в вопросах, относящихся к компетенции настоящей Конвенции, и, в соответствии со своими внутренними правилами, принимать решение о присоединении к настоящей Конвенции;»

2. Добавить следующую новую статью 14 bis:

«Статья 14 bis

1. Для применения настоящей Конвенции территории Договаривающихся Сторон, образующих таможенный или экономический союз, могут рассматриваться в качестве одной территории.

2. Ни одно из положений настоящей Конвенции не исключает право Договаривающихся Сторон, образующих таможенный или экономический союз, предусматривать особые правила, применяемые к операциям временного ввоза и допущения контейнеров для перевозки грузов под таможенными печатями и пломбами на территории этого союза, при условии, что эти правила не уменьшают льготы, предусмотренные настоящей Конвенцией.»

3. Дополнить статью 18 следующим новым пунктом 3 bis:

«3 bis. Таможенный или экономический союз, такой, как он определён в пункте d) bis статьи 1, может становиться Договаривающейся Стороной путём присоединения к настоящей Конвенции. Во время своего присоединения такой таможенный или экономический союз информирует Генерального Секретаря Организации Объединённых Наций о своей компетенции и уведомляет его о любом происшедшем в нём в дальнейшем изменении,

имеюм отношение к вопросам, входящим в компетенцию настоящей Конвенции. Являясь Договаривающейся Стороной настоящей Конвенции, этот таможенный или экономический союз пользуется правами в вопросах, относящихся к его компетенции, и несёт ответственность, возлагаемую настоящей Конвенцией на его членов, являющихся Договаривающимися Сторонами настоящей Конвенции. В таком случае эти члены неправомочны каждый в отдельности пользоваться этими правами, включая право голоса, право предлагать поправки, выдвигать возражение против предложений о внесении поправок и разрешать споры в соответствии со статьёй 25.»

4. Изменить пункт 2 статьи 19 следующим образом:

«Для каждого государства, ратифицировавшего, принявшего или одобрившего настоящую Конвенцию, или для каждого государства или таможенного или экономического союза, присоединившегося к ней после сдачи на хранение пятого документа о ратификации, принятии, одобрении или присоединении, настоящая Конвенция вступает в силу по истечении шести месяцев со дня сдачи на хранение этим государством или таможенным или экономическим союзом своего документа о ратификации, принятии, одобрении или присоединении.»

5. Дополнить статью 6 Приложения 7 следующим новым пунктом 2, причём её существующий текст становится её пунктом 1:

«2. В случае применения пункта 3 bis статьи 18 настоящей Конвенции таможенные и экономические союзы, являющиеся Сторонами настоящей Конвенции, располагают при голосовании лишь числом голосов, равным сумме голосов, предоставляемых их членам, являющимся Договаривающимися сторонами настоящей Конвенции.»

\*

\*

\*

ПОПРАВКИ К ПРИЛОЖЕНИЯМ 4 И 6 К ТАМОЖЕННОЙ КОНВЕНЦИИ,  
КАСАЮЩЕЙСЯ КОНТЕЙНЕРОВ, 1972 г.

ПОПРАВКА 1

Подпункты i) и ii) пункта 2 статьи 2 Приложения 4

Существующий текст заменить следующим:

- « i) необходимо - в тех случаях, когда внутренняя обшивка покрывает контейнер на всю его высоту от пола до потолка, или в других случаях, когда пространство между обшивкой и внешней стенкой полностью закрыто, - обеспечить, чтобы внутренняя обшивка крепилась таким образом, чтобы её нельзя было снять и поставить на место без оставления видимых следов; и
  
- ii) необходимо - в тех случаях, когда обшивка не покрывает контейнер на всю его высоту и пространство между обшивкой и внешней стенкой закрыто неполностью, и во всех других случаях, когда в конструкции контейнера имеются полые пространства, - обеспечить, чтобы количество указанных пространств было ограничено до минимума и чтобы эти пространства были легко доступны для таможенного контроля».

\*

\*

\*

Существующий пункт заменить следующим:

«6. Брезент должен прикрепляться к контейнеру в точном соответствии с условиями, изложенными в пунктах а) и б) статьи 1 настоящих Правил. Для этого могут использоваться следующие системы:

а) брезент может крепиться при помощи

1) металлических колец, прикрепляемых к контейнеру;

11) проушин по краям брезента; и

111) веревки или троса, проходящие(ей)го через кольца над брезентом и видимых с внешней стороны по всей длине.

Брезент должен перекрывать твердую часть контейнера по крайней мере на расстояние 250 мм, измеренное от центра крепежных колец, если только система конструкции контейнера сама по себе не препятствует доступу к грузам.

б) Если необходимо обеспечить глухое крепление одного из краев брезента к контейнеру, то обе поверхности должны быть соединены без просветов и удерживаться при помощи прочных деталей.

в) Если используется система крепления брезента, то в закрытом состоянии она должна обеспечивать глухое прилегание брезента к внешней поверхности контейнера (в качестве примера см. рис. № 6)».

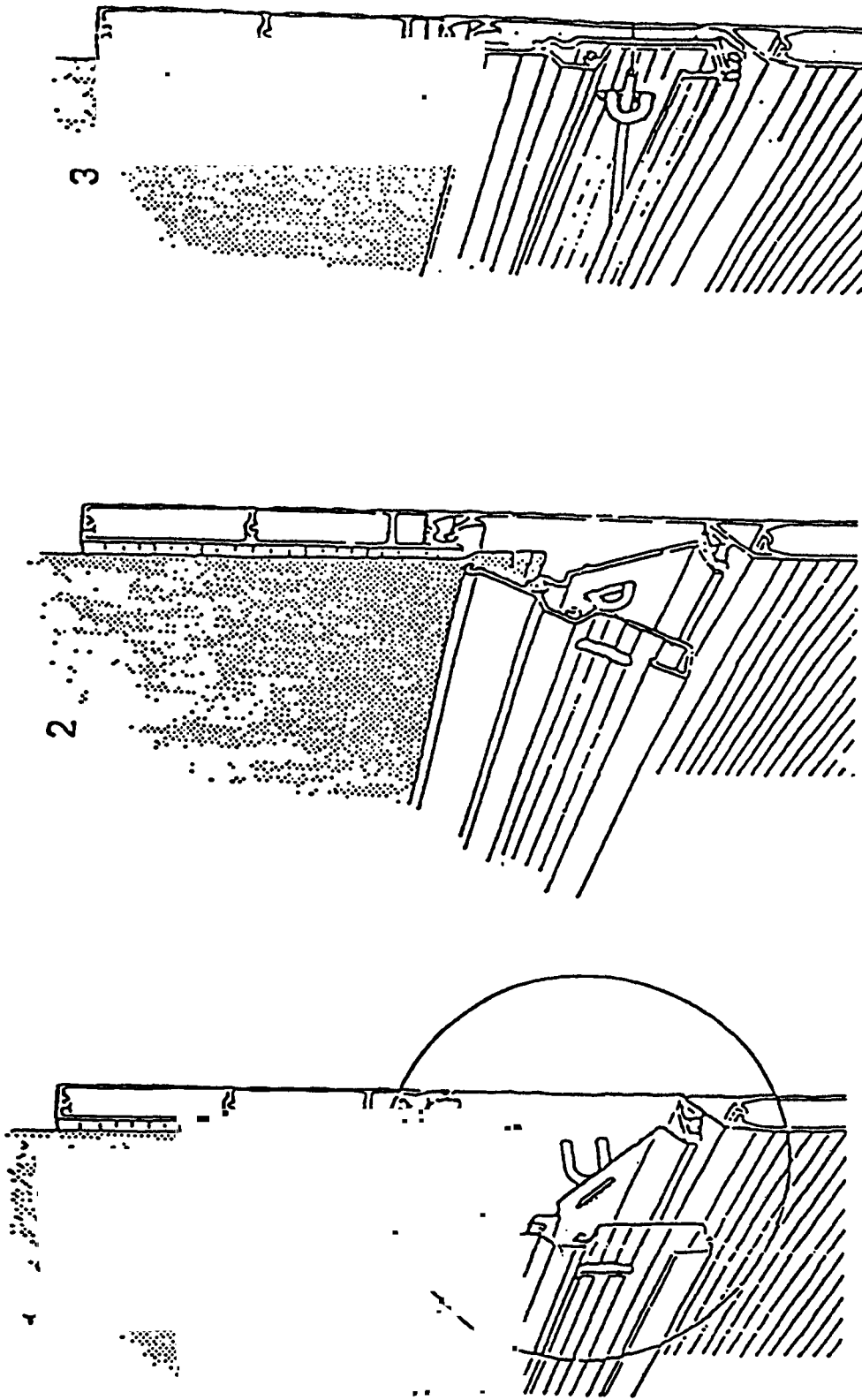
Включить после рис. № 5 приводимый ниже рис. № 6).

\*  
\*  
\*



Приложение 6 - Рисунок № 6

ОБРАЗЕЦ СИСТЕМЫ КРЕПЛЕНИЯ БРЕЗЕНТА



**Описание:**  
Настоящая система крепления брезента является приемлемой, если она оборудована по крайней мере одним металлическим кольцом на концах каждого борта. Отверстия, через которые проходит кольцо, имеют овальную форму и точно соответствуют размеру проходящего через них кольца. Видимая часть металлического кольца при закрытой системе выступает на расстояние, которое не должно превышать более чем в два раза максимальную толщину троса.

### ПОПРАВКА 3

#### Пункт 9 статьи 4 Приложения 4

Включить после существующего текста следующий текст:

«... В случаях, когда брезент должен крепиться к раме в какой-либо конструкции, которая отвечает требованиям пункта 6 а) настоящей статьи, в качестве крепления может использоваться ремень (пример такой конструкции приведён на рис. 7, прилагаемом к настоящим Правилам). Сам ремень должен отвечать предписаниям пункта 11 с) в отношении материала, размеров и формы.»

\*

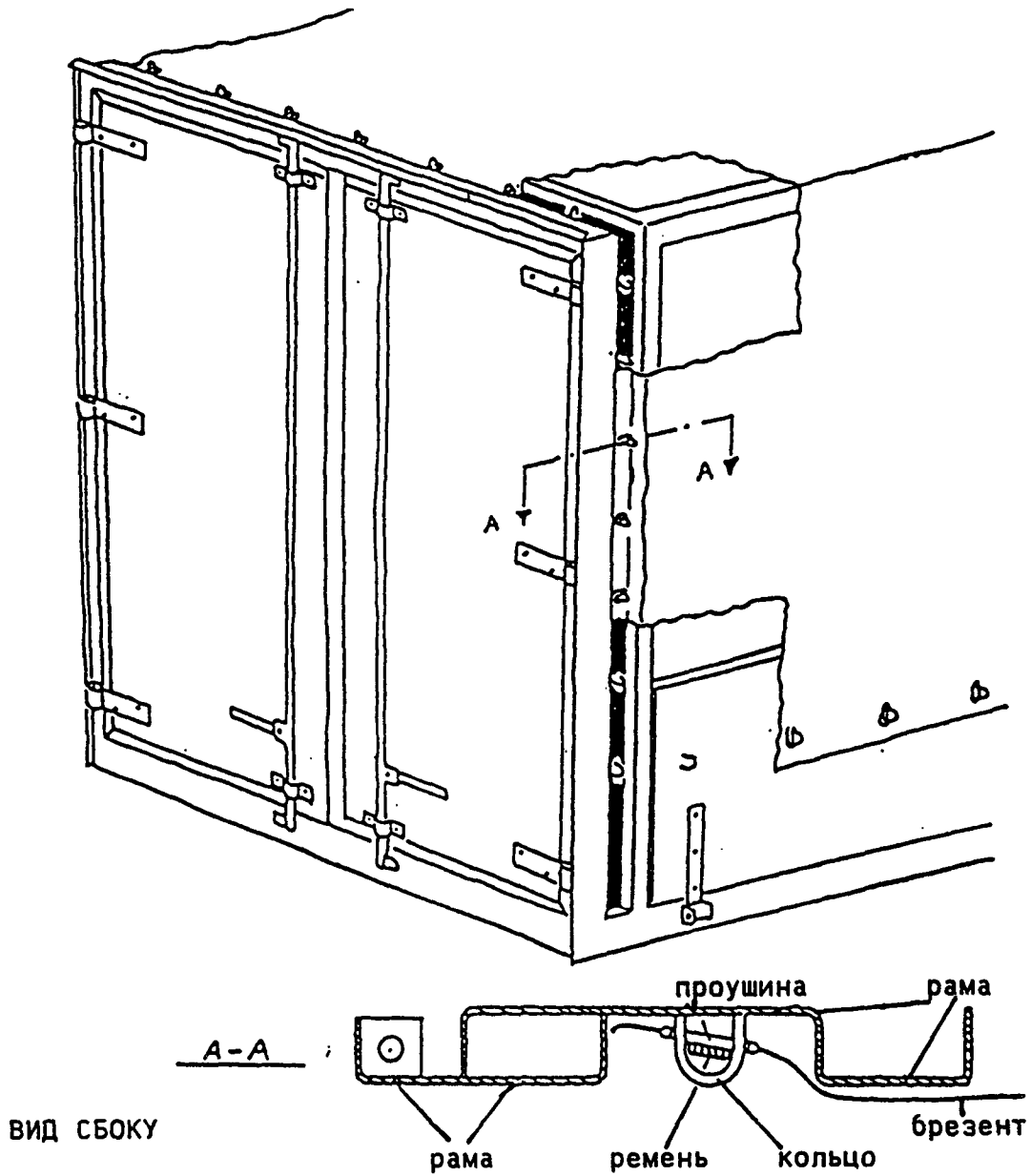
\*

\*

Включить приведённый ниже рис. № 7 после рис. № 6.

Приложение 4 - Рисунок № 7

ПРИМЕР КРЕПЛЕНИЯ БРЕЗЕНТА К РАМАМ ОСОБОЙ ФОРМЫ



**Описание**

Такое крепление брезента к контейнеру допускается, если кольца утоплены на глубину профиля рамы и не выступают за его максимальную глубину. Ширина профиля рамы должна быть по возможности минимальной.

\*  
\* \* \*

ПОПРАВКА 4

Пункт 7 статьи 4 Приложения 4 (новый пункт 7)

Включить после пункта 6 следующий новый пункт 7:

«7. Брезент должен поддерживаться соответствующей конструкцией (стойками, боковинами, дугами, поперечинами и т.д.).»

\*

\*

\*

## ПОПРАВКА 5

### Новый пункт 8 (бывший пункт 7) статьи 4 Приложения 4

Существующий текст заменить следующим:

«8. Расстояния между кольцами и расстояния между проушинами не должны превышать 200 мм. Однако эти расстояния между кольцами и проушинами могут быть большими, но не должны превышать 300 мм с любой стороны стойки, если конструкция контейнера и брезента такова, что полностью исключает доступ в контейнер. Проушины должны быть жёсткими».

\*

\*            \*

## ПОПРАВКА 6

### Пункт 10 статьи 4 Приложения 4

Новая редакция:

«В местах, где в брезенте имеются окна, используемые для загрузки и разгрузки, обе полы брезента соединяются вместе. Для этого может использоваться следующая система:

а) оба края брезента должны соответствующим образом перекрываться. Они также должны закрепляться с помощью:

- i) откидной полы, пришитой или приваренной в соответствии с положениями пунктов 3 и 4 настоящей статьи;
- ii) колец и проушин, отвечающих условиям пункта 8 настоящей статьи; кольца должны быть изготовлены из металла; и
- iii) ремня, изготовленного из цельного куска соответствующего нерастягивающегося материала шириной не менее 20 мм и толщиной не менее 3 мм, проходящего через кольца и соединяющего оба края брезента и откидную полу; ремень прикрепляется с внутренней стороны брезента и должен иметь либо:
  - проушину для пропускания троса или верёвки, упомянутых в пункте 9 настоящей статьи, либо
  - проушину, которая может прикрепляться к металлическому кольцу, упомянутому в пункте 6 настоящей статьи, и закрепляться с помощью троса или верёвки, упомянутых в пункте 9 настоящей статьи.

Откидная пола не требуется, если имеется специальное устройство, например, защитная перегородка, которая препятствует доступу к грузовому отделению без оставления видимых следов.

б) Специальная система закрывающихся окон в брезенте обеспечивает плотное закрытие краёв брезента после закрытия и опечатывания грузового отделения. В системе имеется отверстие, через которое может проходить металлическое кольцо, упомянутое в пункте 6 настоящей статьи, и закрепляться с помощью троса или верёвки, упомянутых в пункте 9 настоящей статьи. (см. рис. № 8, приложенный к настоящим Правилам.»

#### Новый рис. № 8 для Приложения 4

Добавить в Приложение 4 новый рис. № 8. Включить следующее описание этого рисунка.

«В данной системе закрывающихся окон в брезенте оба края окон в брезенте, используемых для загрузки и разгрузки, соединяются посредством алюминиевого запирающего стержня. Окна в брезенте имеют рубец, в который по всей его длине вшита верёвка (см. рис. № 8.1). Это не позволяет вытащить брезент из жёлоба запирающего стержня. Рубец должен находиться на внешней стороне и быть соединён посредством спайки в соответствии с положениями пункта 4 статьи 4 Приложения 4 к Конвенции. Края брезента должны быть пропущены через открытые желоба на алюминиевом запирающем стержне и проходить по двум параллельным продольным каналам, закрытым в их нижней части. Когда запирающий стержень находится в своём верхнем положении, края брезента соединены. В верхней части окна запирающий стержень фиксируется при помощи прозрачной пластиковой насадки, которая крепится при помощи заклёпок к брезенту (см. рис. № 8.2). Запирающий стержень состоит из двух частей, соединённых при помощи петли на заклёпках, которая позволяет сгибать его в целях облегчения установки и снятия. Эта петля должна быть устроена таким образом, чтобы после запираения системы нельзя было вынуть поворотный шкворень (см. рис. № 8.3). В нижней части запирающего стержня имеется отверстие, через которое проходит кольцо. Это отверстие имеет овальную форму и размер, достаточный лишь для того, чтобы в него проходило кольцо (см. рис. № 8.4). Для закрепления запирающего стержня через это кольцо пропускается крепёжная верёвка, соответствующая требованиям.»

\*

\*            \*

Приложение 4 - Рисунок № 8

СИСТЕМА ЗАКРЫВАЮЩИХСЯ ОКОН В БРЕЗЕНТЕ,  
ИСПОЛЬЗУЕМЫХ ДЛЯ ЗАГРУЗКИ И РАЗГРУЗКИ

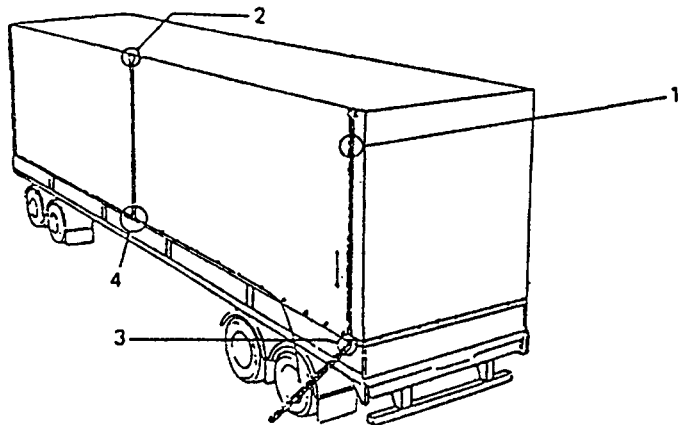


Рис. № 8.1

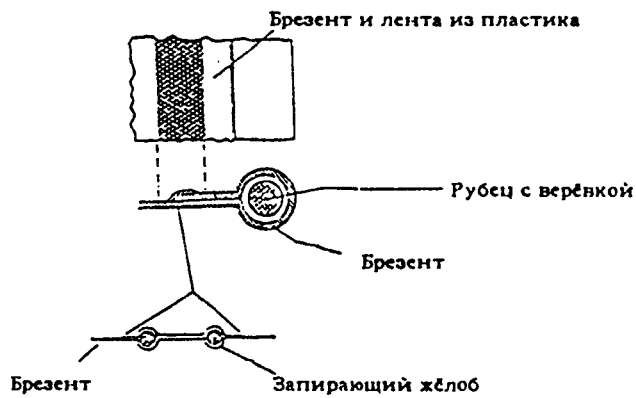


Рис. № 8.2

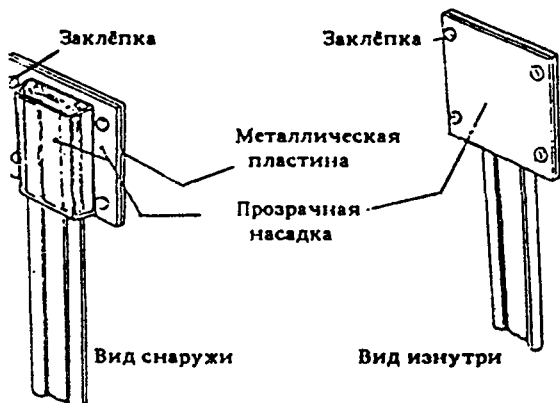


Рис. № 8.3

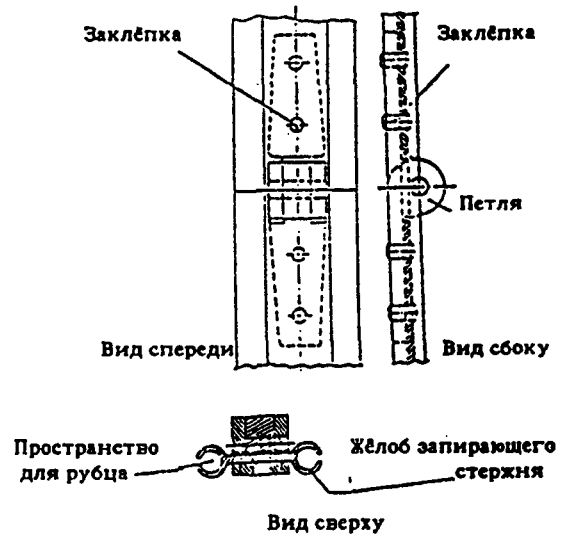
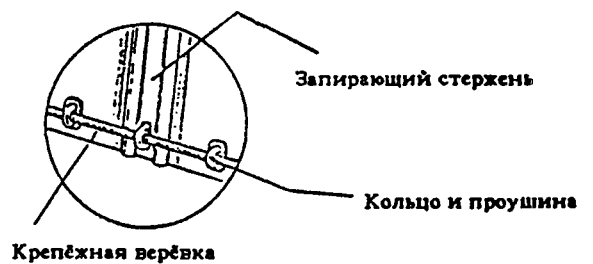


Рис. № 8.4





ПОПРАВКА 7

Пункты 7-11 статьи 4 Приложения 4

Изменить нумерацию существующих пунктов 7-11 на 8-12.

\*

\*

\*

ПОПРАВКА в

Пояснительная записка 4.2.1.а)-1 с) Приложения 6

Добавить третье предложение, составленное следующим образом:

«Однако заклёпки с потайной головкой могут использоваться при том условии, что, как описано в Пояснительной записке 4.2.1 а)-1 а) Приложения 6 к Конвенции, для сборки составных элементов применяется достаточное количество других крепёжных деталей.»

\*  
\*            \*

ПОПРАВКА 9

Пункт в) Пояснительной записки 4.2.1(в)-1 Приложения 6

Существующее второе предложение заменить нижеследующим:

«Кроме того, различные составные части таких устройств (например, петли, шкворни или шарниры), если они необходимы для обеспечения гарантии таможенной безопасности контейнера (см. рис. № 7, приложенный к настоящему Приложению), крепятся таким образом, чтобы при закрытом и опечатанном грузовом отделении их нельзя было снять или разобрать без оставления видимых следов.»

\*

\*

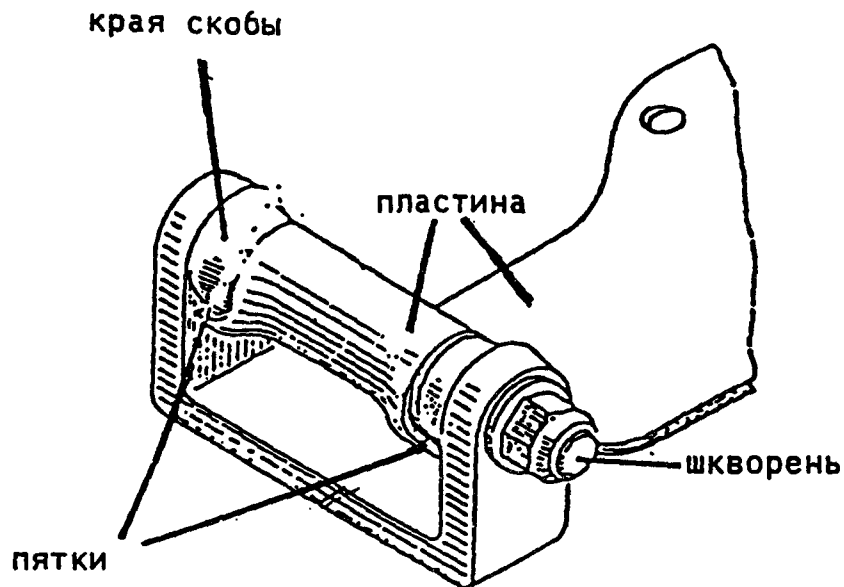
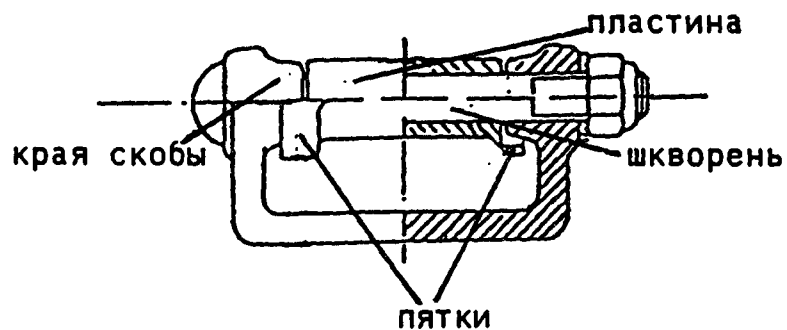
\*

После рисунка № 6 включить рисунок № 7, приведённый ниже.

Приложение 6 - Рисунок № 7

Пример петли, шкворень которой не требует специального крепления

Показанная ниже петля отвечает положениям второго предложения подпункта б) Пояснительной записки 4.2.1 б-1). Конструкция пластины и скобы исключает необходимость в специальном креплении шкворня, поскольку пятки пластины заходят за края скобы. Таким образом, пятки препятствуют открытию опечатанной таможенной двери в месте её навешивания после извлечения незакреплённого шкворня без оставления видимых следов.



\*

\* \*

## ПОПРАВКА 10

### Подпункт с) Пояснительной записки 4.2.1(б)-1 Приложения 6

Существующий текст заменить следующим текстом:

«с) В порядке исключения, если транспортные средства имеют изотермические грузовые отделения, приспособление для установки таможенных печатей и пломб, петли и другие детали, снятие которых дало бы доступ внутрь грузового отделения или в другие места, пригодные для сокрытия грузов, могут крепиться к дверям таких грузовых отделений с помощью следующих систем:

i) ввёртных болтов или шурупов, которые вставляются снаружи, но которые в других отношениях не удовлетворяют требованиям подпункта а) приведённой выше Пояснительной записки 4.2.1(а)-1 при условии, что:

стержни ввёртных болтов или ввёртных шурупов крепятся к листу резьбовыми отверстиями или подобному приспособлению, расположенному внутри наружной панели или наружных панелей двери; и

головки соответствующего количества ввёртных болтов или ввёртных шурупов привариваются к устройству для наложения таможенных пломб, к петлям и т.д. таким образом, что они полностью деформируются и что ввёртные болты или шурупы невозможно удалить без оставления видимых следов (см. рис. № 4 к настоящему Приложению);

ii) крепёжного приспособления, которое вставляется с внутренней стороны двери изотермической конструкции при условии, что:

крепёжный болт и крепёжная гайка приспособления соединены при помощи пневматических или гидравлических инструментов и крепятся с обратной стороны пластины или подобного приспособления, установленного между наружным слоем конструкции двери и изоляцией;

не имеется доступа к головке крепёжного болта изнутри грузового отделения; и

достаточное количество крепёжных гаек и крепёжных болтов соединено при помощи сварки, и приспособление невозможно удалить без оставления видимых следов (см. рис. № 8 к настоящему Приложению);

Подразумевается, что термин «изотермическое грузовое отделение» включает как рефрижераторные, так и теплоизолированные грузовые отделения».

\* \* \*

После рис. № 7 включить рис. № 8, приведённый ниже.

Приложение 6 - Рисунок № 8

ПРИМЕР КРЕПЁЖНОГО ПРИСПОСОБЛЕНИЯ, ВСТАВЛЯЕМОГО С ВНУТРЕННЕЙ  
СТОРОНЫ ДВЕРИ ИЗОТЕРМИЧЕСКОЙ КОНСТРУКЦИИ

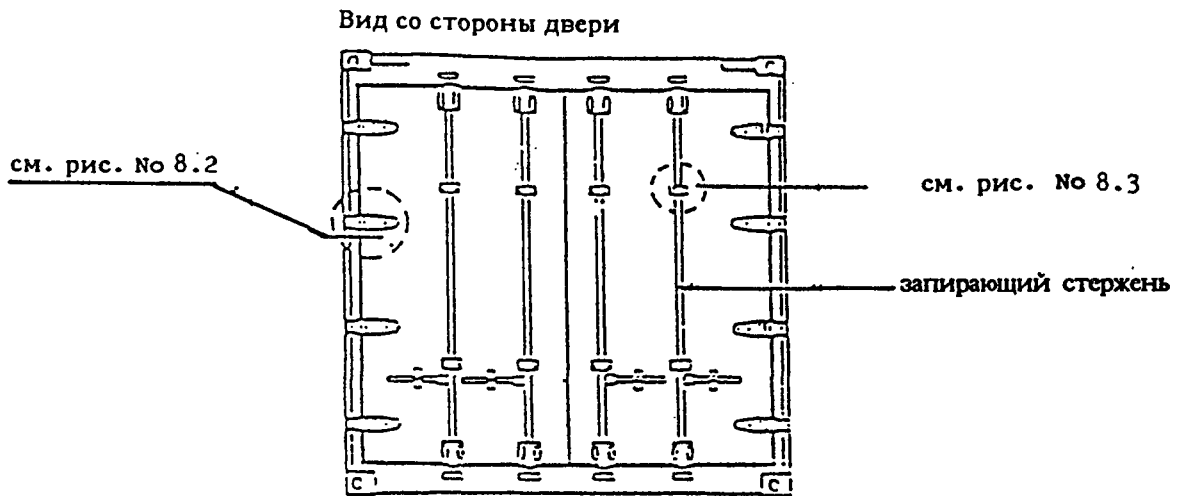


Рис. № 8.1

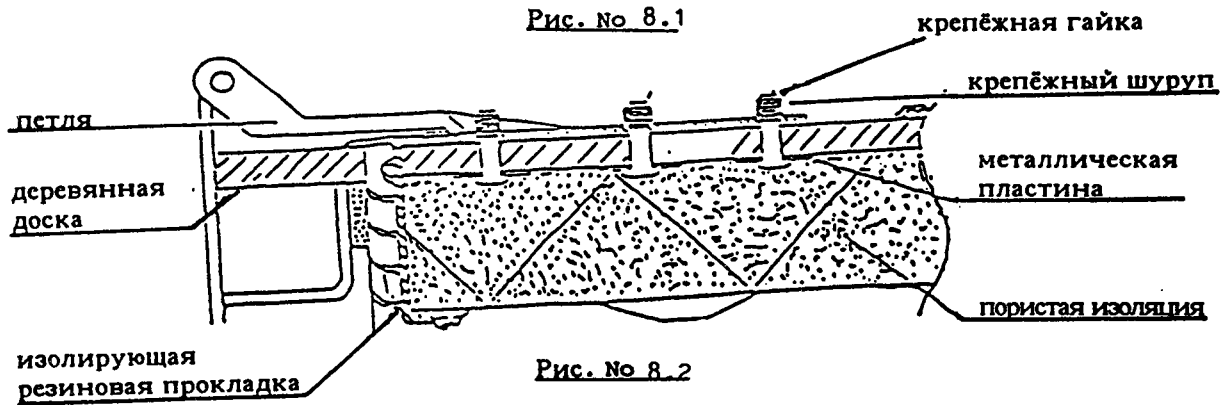


Рис. № 8.2

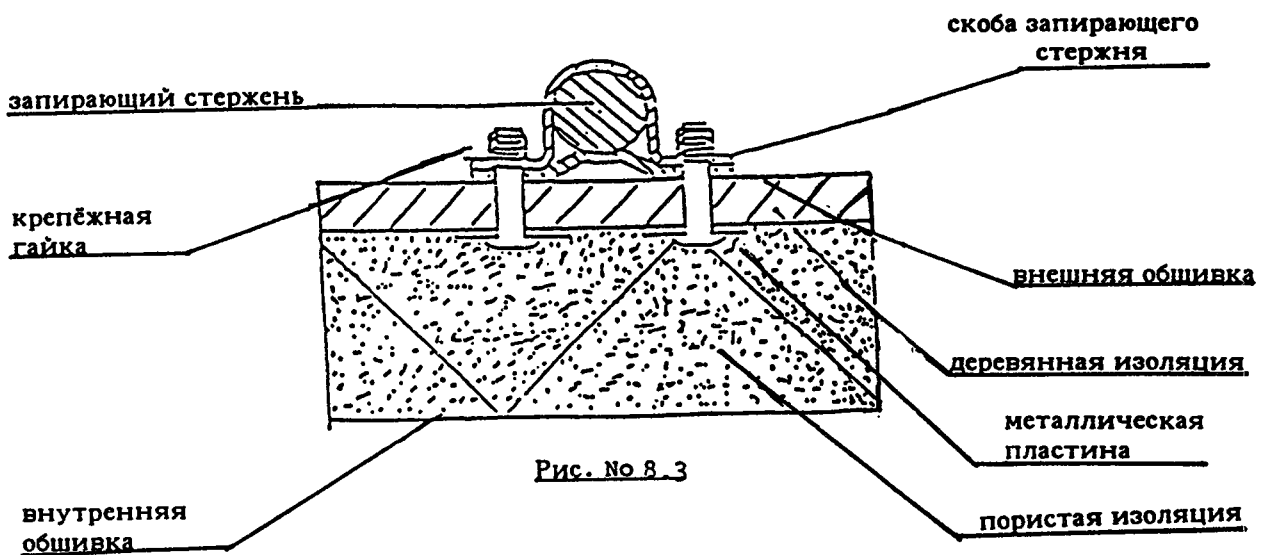


Рис. № 8.3

\* \* \*

ПОПРАВКА 11

Получил в) Пояснительной записки 4.2.1(с)-1 Приложение 6

Заменил существующий текст следующей формулировкой:

б) Отверстия, дающие непосредственный доступ к грузовой отделе-  
нию, должны быть заслонены:

1) проволоочной сеткой, или перфорированным металлическим  
экраном (с максимальным размером отверстий в обоих  
случаях 3 мм) и зашпательной сварной металлической решёткой  
(с максимальным размером отверстий 10 мм); или

2) одним перфорированным металлическим экраном достаточной  
прочности (с максимальным размером отверстий 3 мм и  
толщиной не менее 1 мм).»

\* \* \*

ПОПРАВКА 12

Попункт с) Пунктальной записки 4.2.1(с)-1 Приложение 6

Заменив существующий текст следующей формулировкой:

«с) Отверстия, не давшие прямого доступа к грузовой отделе-  
нию (например, благодаря наличию системы колен и дефлек-  
торов), должны оборудоваться устройствами, о которых  
говорится в подпункте в), но в которых допускаются  
размеры отверстий до 10 мм (для проволочной сетки или  
металлического экрана) и 20 мм (для металлической решёт-  
ки)».

\*

\*

\*



### ПОПРАВКА 13

#### Пояснительная записка 4.4.7.-1 Приложения 6

Заменить существующий текст и предшествующий ему заголовок следующим:

Пункт 8 - Расстояния между кольцами и между проушинами.

4.4.8.-1 Над стойками допускается расстояние более 200 мм, но не более 300 мм, если кольца утоплены в бортах и проушины имеют овальную форму и настолько малы, что могут надеваться на кольца без зазора.

#### Пояснительная записка 4.4.8.-1 Приложения 6

Заменить номер этой Пояснительной записки на 4.4.9.-1 и заменить в заголовке «Пункт 8» на «Пункт 9».

#### Пояснительная записка 4.4.10.а)-1 Приложения 6

Заменить номер этой Пояснительной записки на 4.4.11.а) i)-1 и заменить в заголовке «Подпункт 10.а)» на «Подпункт 11.а) i)».

#### Пояснительная записка 4.4.10.с)-1 Приложения 6

Заменить номер этой Пояснительной записки на 4.4.11.а) iii)-1 и заменить в заголовке «Подпункт 10.с)» на «Подпункт 11.а) iii)».

#### Пояснительная записка 4.4.10.с)-2 Приложения 6

Заменить номер этой Пояснительной записки на 4.4.11.а) iii) и заменить в её тексте «Подпункт 10» на «Подпункт 11.а)».

#### Рисунок № 3 Приложения 6

Заменить в пояснении к этому рисунку «пункта 10» на «подпункта 11.а)».

\*

\*

\*

ENMIENDAS AL CONVENIO ADUANERO SOBRE CONTENEDORES, 1972,  
POR LO QUE RESPECTA A LAS UNIONES ADUANERAS O ECONOMICAS

---

1. En el Artículo 1 se incluirá la nueva letra d) bis siguiente :

"d) bis. Por "Unión aduanera o económica", se entiende una Unión constituida y compuesta por Estados mencionados en el apartado 1 del Artículo 18 del presente Convenio, y que tiene competencia para adoptar su propia legislación, que es obligatoria para sus Miembros, en las materias cubiertas por el presente Convenio y para decidir, según sus procedimientos internos, sobre la adhesión al presente Convenio."

2. Se incluirá el nuevo Artículo 14 bis siguiente :

"Artículo 14 bis

1. Para la aplicación del presente Convenio, los territorios de las Partes Contratantes que constituyan una Unión aduanera o económica podrán ser considerados como un territorio único.

2. Ninguna disposición del presente Convenio excluirá el derecho de las Partes contratantes, que constituyan una Unión aduanera o económica, a prever normas especiales aplicables a las operaciones de importación temporal y a la aprobación de los contenedores para el transporte de mercancías bajo precinto aduanero en el territorio de dicha Unión, siempre que dichas normas no reduzcan las facilidades previstas en el presente Convenio."

3. En el Artículo 18 se incluirá el nuevo apartado 3 bis siguiente :

"3 bis. Una Unión aduanera o económica, tal como está definida en la letra d) bis del Artículo 1, podrá ser Parte contratante mediante su adhesión al presente Convenio. Dicha Unión aduanera o económica informará, en el momento de su adhesión, al Secretario general de la Organización de las Naciones Unidas de su competencia y le notificará cualquier modificación ulterior de la misma en relación con las materias cubiertas por el presente Convenio. Esta Unión aduanera o económica, Parte contratante en el presente Convenio, ejercerá, en las cuestiones de su competencia, los derechos y asumirá las obligaciones que el presente Convenio confiere a sus Miembros que sean Partes contratantes en el presente Convenio. En tal caso, dichos Miembros no estarán

facultados a ejercer individualmente dichos derechos, incluidos el derecho de voto, de proponer enmiendas, de formular objeciones a las enmiendas propuestas y de solucionar controversias en aplicación del Artículo 25."

4. Modificar el apartado 2 del Artículo 19 como sigue :

"Para cada Estado que ratifique, acepte o apruebe el presente Convenio o para cada Estado o Unión aduanera o económica que se adhiera a él después de haber sido depositado el quinto instrumento de ratificación, aceptación, aprobación o adhesión, el presente Convenio entrará en vigor seis meses después de la fecha en que tal Estado o Unión aduanera o económica haya depositado su instrumento de ratificación, aceptación, aprobación o adhesión."

5. En el Artículo 6 del Anexo 7, se incluirá un nuevo apartado 2. El texto actual se numerará como apartado 1 :

"2. Cuando sea de aplicación el apartado 3 bis del Artículo 18 del presente Convenio, las Uniones aduaneras o económicas Partes en el presente Convenio sólo dispondrán, en caso de voto, de un número de votos igual al total de los votos asignables a sus Miembros que sean Partes contratantes en el presente Convenio."

x

x

x

ENMIENDAS A LOS  
ANEXOS 4 Y 6  
DEL CONVENIO ADUANERO SOBRE CONTENEDORES, 1972

---

ENMIENDA 1

Anexo 4, Artículo 2, párrafo 2, incisos i) y ii)

Sustitúyase el texto actual por el siguiente :

- "i) si el revestimiento interior del contenedor recubre la pared en toda su altura desde el suelo al techo o, de no ser así, si el espacio existente entre ese revestimiento y la pared exterior está enteramente cerrado, dicho revestimiento deberá estar colocado de tal forma que no pueda desmontarse y colocarse nuevamente sin dejar huellas visibles,
  
- ii) si el revestimiento no recubre la pared en toda su altura y si los espacios que lo separan de la pared exterior no están enteramente cerrados, así como en todos los demás casos en que la construcción del contenedor dé lugar a espacios vacíos, el número de dichos espacios deberá reducirse al mínimo y todos ellos deberán ser fácilmente accesibles para la inspección aduanera."

o

o

o

## ENMIENDA 2

### Anexo 4, Artículo 4, párrafo 6

....

Sustitúyase el texto actual por el siguiente :

"6. El toldo se fijará al contenedor de modo que se cumplan estrictamente las condiciones de los apartados a) y b) del Artículo 1 del presente Reglamento. Podrán utilizarse los siguientes sistemas :

a) El toldo podrá fijarse mediante :

- i) anillas metálicas colocadas en el contenedor;
- ii) ojales abiertos en el borde del toldo; y
- iii) un amarre que pase por las anillas por encima del toldo y sea visible en toda su longitud desde el exterior.

El toldo cubrirá los elementos sólidos del contenedor en una anchura mínima de 250 mm, medidos a partir del centro de las anillas de fijación, salvo cuando el sistema de construcción del contenedor impida por sí mismo todo acceso a las mercancías.

b) Cuando cualquier borde del toldo deba fijarse de manera permanente al contenedor, las dos superficies deberán unirse sin interrupción y deberán mantenerse en esta posición por medio de dispositivos sólidos.

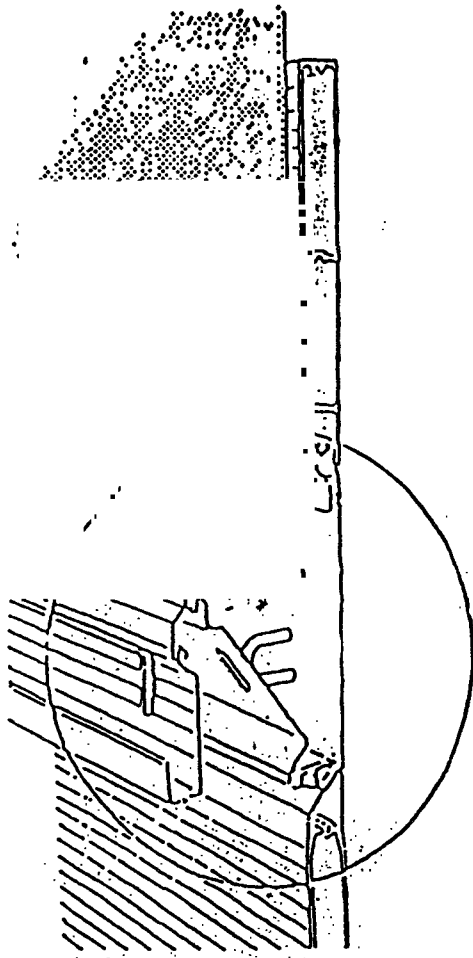
c) Cuando se utilice un sistema de cierre del toldo, este sistema deberá, en posición cerrada, unir apretadamente el toldo con el exterior del contenedor (véase, por ejemplo, el croquis n° 6)."

Insértese, después del croquis n° 5, el croquis n° 6 que se reproduce más adelante.

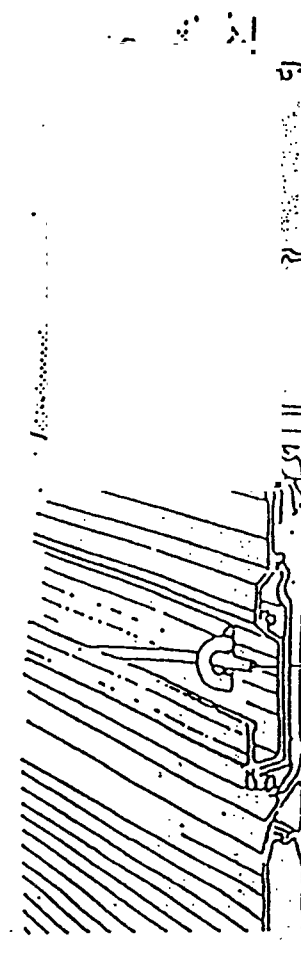
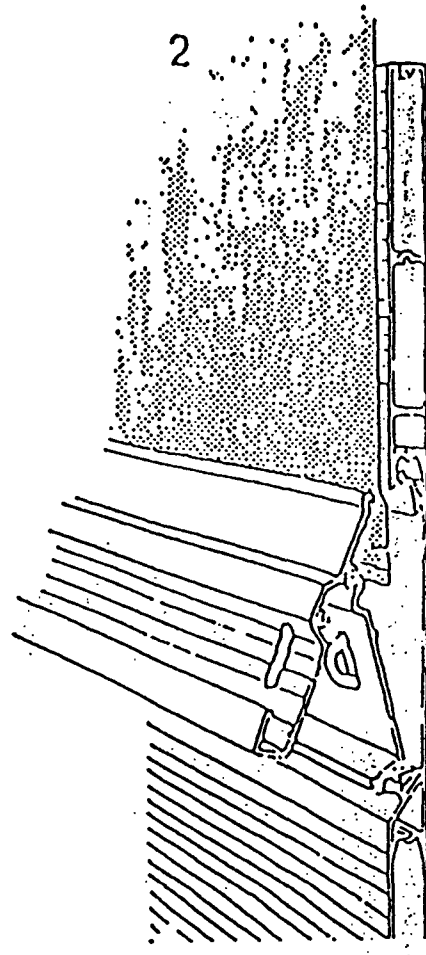
o

o

o



Descripción



EJEMPLO DE SISTEMA DE CIERRE DEL TOLDO

Croquis No. 6.

Este sistema de cierre del toldo es aceptable si va provisto por lo menos de una anilla metálica en cada extremidad de la puerta. Las aberturas destinadas al paso de la anilla son de dimensiones justo suficientes para permitir el paso de la anilla. La parte visible de la anilla metálica no sobresale en más del doble del diámetro máximo del cable de cierre cuando el sistema está cerrado.

ENMIENDA 3

Anexo 4, Artículo 4, párrafo 9

Añádese al texto actual las frases siguientes :

" En los casos en que deba fijarse el toldo al armazón en un sistema de construcción que, por lo demás, esté en conformidad con las disposiciones del apartado a) del párrafo 6 del presente Artículo, podrá utilizarse una correa como medio de fijación (en el croquis n° 7 adjunto al presente anexo figura un ejemplo de sistema de construcción de este tipo). La correa debe reunir los requisitos estipulados en el apartado c) del párrafo 11 por lo que se refiere a su material, dimensiones y forma."

o

o

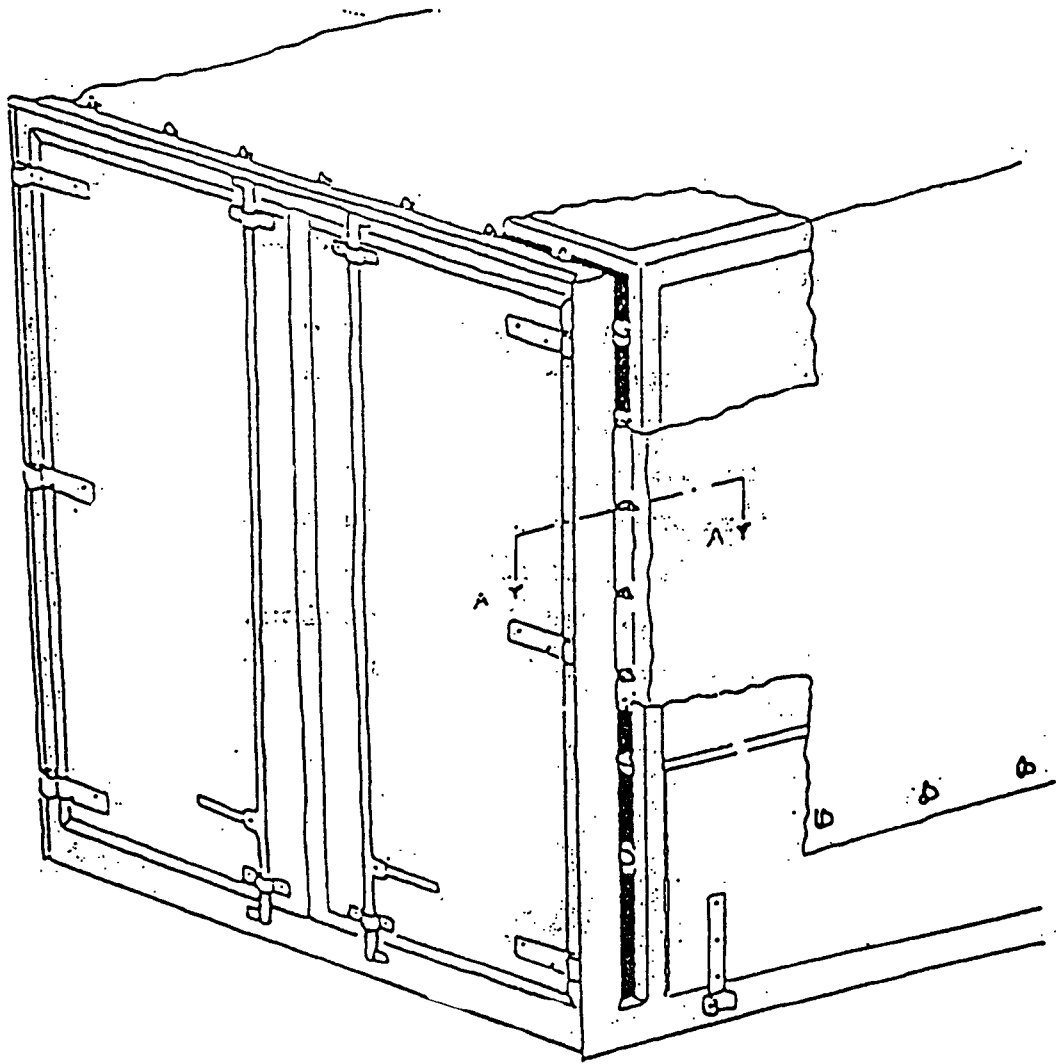
o

Después del croquis n° 6 adjunto al presente anexo insértese el croquis n° 7 reproducido a continuación.

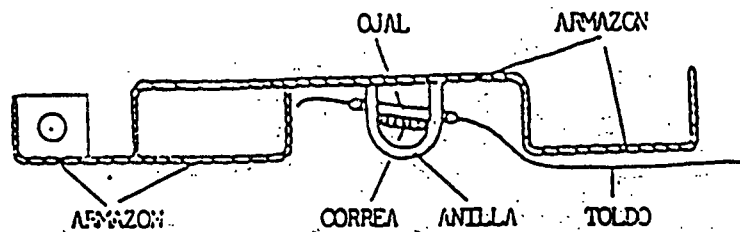
II/4.

Croquis Nº 7

EJEMPLO DE TOLDO FIJADO A UN ARMAZON DE FORMA ESPECIAL



A-A  
VISTA LATERAL



Descripcion

Esta fijación del toldo al contenedor es aceptable si las anillas están embutidas en el perfil y su parte exterior no sobresale más de la profundidad máxima del perfil. La anchura del perfil deberá ser lo más reducida posible.



ENMIENDA 4

Anexo 4, Artículo 4, párrafo 7 (nuevo párrafo 7)

Insértese, después del párrafo 6, un nuevo párrafo 7 que diga así :

"7. El toldo estará soportado por una superestructura adecuada (montantes, paredes, arcos, listones, etc.)."

o  
o o

ENMIENDA 5

Anexo 4, Artículo 4, nuevo párrafo 8 (antiguo párrafo 7)

Sustitúyase el texto actual por el siguiente :

"8. La distancia entre las anillas y entre los ojales no excederá de 200 mm. No obstante, esa distancia podrá ser mayor pero no deberá exceder de 300 mm entre las anillas y los ojales situado de una y otra parte del montante, si el sistema de construcción del contenedor y del toldo es tal que impida todo acceso al interior del contenedor. Los ojales serán reforzados."

o  
o o

## ENMIENDA 6

Anexo 4, Artículo 4, párrafo 10 :

Sustitúyase al texto actual por el siguiente :

"Los dos bordes del toldo situados en las aberturas que sirven para la carga y descarga, las dos superficies deberán juntarse. Podrán utilizarse los sistemas siguientes :

a) Los dos bordes del toldo deberán tener una solapadura suficiente. Además, se cerrarán mediante :

- i) una banda cosida o soldada de conformidad con los párrafos 3 y 4 del presente Artículo;
- ii) anillas y ojales que reúnan las condiciones del párrafo 8 del presente Artículo; las anillas deberán estar hechas de metal; y
- iii) una correa de material adecuado, de una sola pieza y no extensible, de una anchura mínima de 20 mm y de 3 mm de espesor que, pasando por las anillas, mantenga unidos los dos bordes del toldo, así como la banda; esa correa estará fijada en el interior del toldo y tendrá
  - un ojal por el que pueda pasar la cuerda o el cable a que se hace referencia en el párrafo 9 del presente artículo o
  - un ojal que pueda aplicarse sobre la anilla metálica a que se hace referencia en el párrafo 6 del presente artículo y fijarse con el cable o la cuerda a que se hace referencia en el párrafo 9 del presente artículo.

No se precisará banda cuando exista un dispositivo especial (contrapuerta, etc.) que impida el acceso al compartimiento reservado a la carga sin dejar huellas visibles.

b) Un sistema especial de cierre que mantenga estrechamente apretados los bordes de los toldos cuando el compartimiento de carga esté cerrado y sellado. El sistema estará provisto de una apertura a través de la cual pueda pasar la anilla metálica a que se hace referencia en el párrafo 6 del presente artículo y quedar sujeta por la cuerda o el cable a que se hace referencia en el párrafo 9 del presente artículo. (Véase el croquis n° 8 adjunto al presente anexo)."

Nuevo croquis n° 8 al Anexo 4.

Añádese el nuevo croquis n° 8 al Anexo 4. Insértese la siguiente descripción de este croquis :

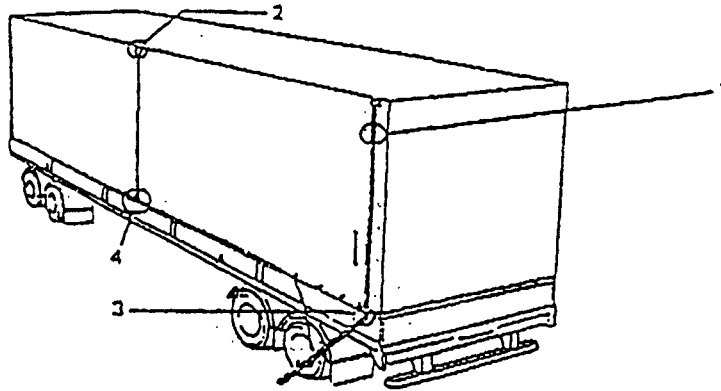
"Con este sistema de cierre los dos bordes del toldo en la parte utilizada para la carga y la descarga están unidos mediante una varilla de sujeción de aluminio. Las aperturas del toldo están provistas en toda su longitud de una cuerda o cable que va dentro de un dobladillo (véase el croquis n° 8.1). De este modo es imposible sacar el toldo de la ranura de la varilla de sujeción. El dobladillo estará en la parte exterior del toldo y estará soldado de conformidad con las disposiciones del párrafo 4 del Artículo 4 del anexo 4 del Convenio. Los bordes deberán introducirse en la ranura de la varilla de sujeción y deslizarse en los dos canales longitudinales paralelos que estarán cerrados en su extremo inferior. Cuando la varilla de sujeción esté en posición vertical los bordes del toldo estarán unidos. En el extremo superior de la apertura la varilla de sujeción queda bloqueada por una placa de material plástico transparente fijada al toldo con remaches (véase el croquis n° 8.2). La varilla de sujeción consta de dos partes, unidas por una bisagra remachada, lo que permite doblarla para poderla colocar o quitar más fácilmente. Esa bisagra debe estar concebida de modo que no se pueda quitar el pivote una vez bloqueado el sistema (véase el croquis n° 8.3). En la parte inferior de la varilla de sujeción hay una apertura por la que pasa el anillo. La apertura es oval y de un tamaño justo suficiente para que pueda pasar el anillo (véase el croquis n° 8.4). La cuerda o cable de cierre TIR pasará por ese anillo para bloquear la varilla de sujeción."

o

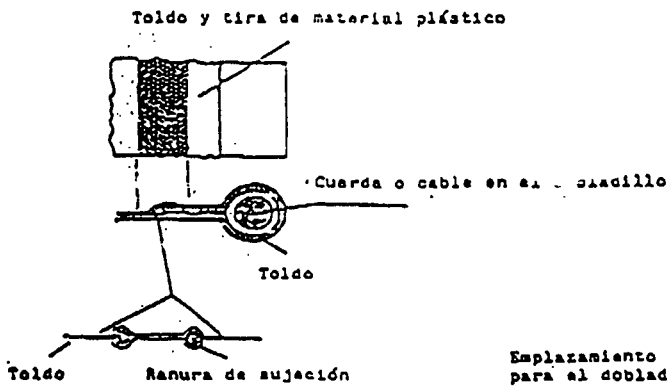
o

o

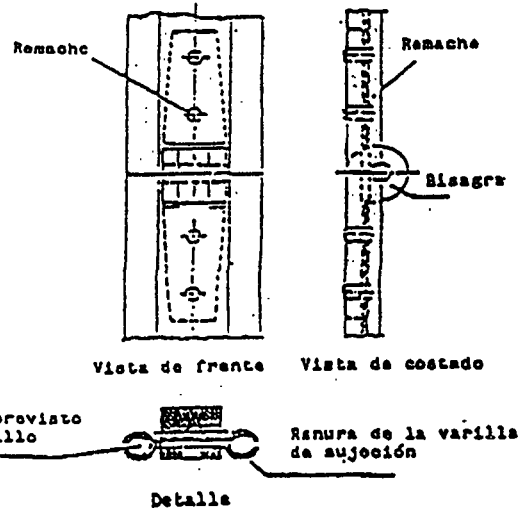
SISTEMA DE FIJACION DEL TOLDO EN LAS APERTURAS UTILIZADAS PARA LA CARGA Y DESCARGA



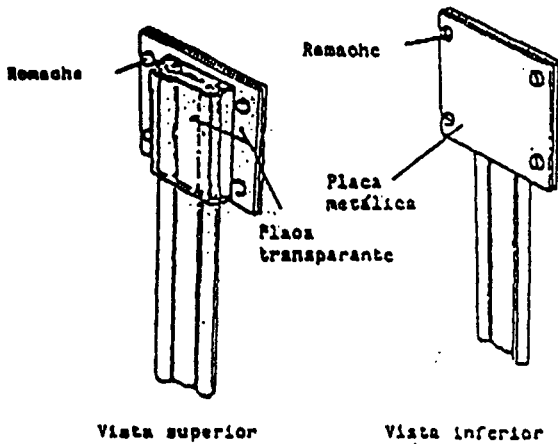
Croquis Nº 8.1



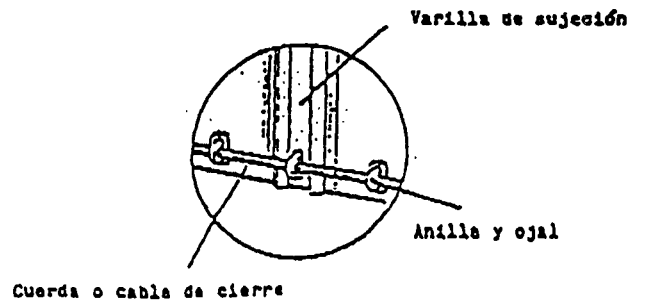
Croquis Nº 8.3



Croquis Nº 8.2



Croquis Nº 8.4



ENMIENDA 7

Anexo 4, Artículo 4, párrafos 7 a 11

Los párrafos 7 a 11 pasan a ser 8 a 12.

o  
o o

ENMIENDA 8\*

Anexo 6, Nota explicativa 4.2.1. a)-1 apartado c)

Añádase la siguiente nueva tercera frase :

"Sin embargo, podrán utilizarse roblones "ciegos" con la condición de que para unir los elementos constitutivos se utilice un número suficiente de los dispositivos de unión descritos en el Anexo 6, Nota explicativa 4.2.1 a)-1 a) al Convenio."

o  
o                      o

---

\* Traducción del CCA.

II/12.

ENMIENDA 9

Anexo 6, Nota explicativa 4.2.1. b)-1 apartado b)

Sustitúyase la segunda frase del texto actual por el texto siguiente :

"Además, los diversos elementos de esos dispositivos (por ejemplo, palas o pasadores de bisagras o goznes), siempre y cuando sean indispensables para garantizar la seguridad aduanera del contenedor (véase el croquis n° 7 adjunto al presente anexo), deberán colocarse de tal manera que no puedan retirarse o desmontarse sin dejar huellas visibles cuando el contenedor quede cerrado y precintado."

o  
o                      o

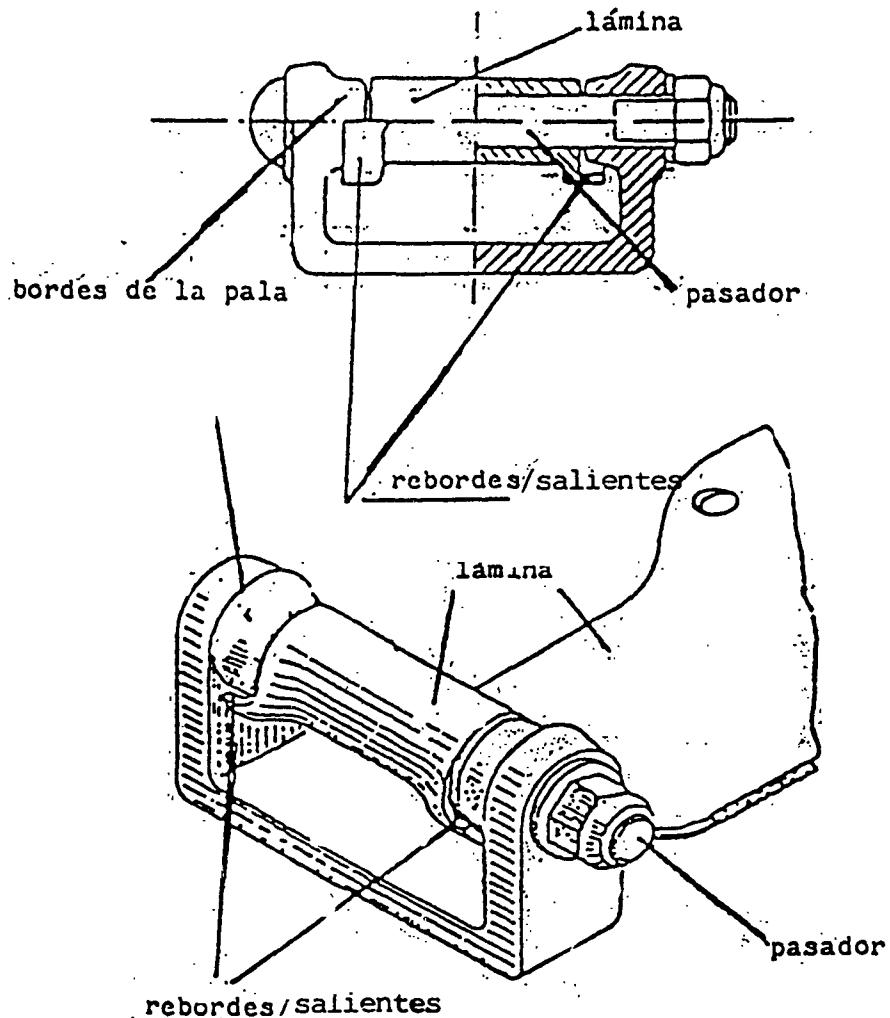
Después del croquis n° 6 insértese el croquis n° 7 reproducido a continuación.



Croquis n° 7

Ejemplo de bisagra que no necesita una protección especial del pasador

La bisagra que se representa más abajo cumple los requisitos indicados en la segunda frase del párrafo b) de la Nota explicativa 4.2.1 b). El diseño de la lámina y de la pala hace innecesaria toda protección especial del pasador, ya que los salientes de la lámina se extienden detrás de los bordes de la pala. Por consiguiente, estos rebordes impiden que la puerta precintada por la aduana pueda abrirse por el lado del dispositivo sin dejar huellas visibles, aunque se haya retirado el pasador no protegido.



ENMIENDA 10

Anexo 6, Nota explicativa 4.2.1 b)-1 apartado c)

Sustitúyase el texto existente por el siguiente :

"c) Excepcionalmente, en el caso de contenedores aislados reservados a la carga, el dispositivo para la colocación del precinto aduanero, las bisagras y las demás piezas cuya remoción pudiera dar acceso al interior del contenedor o a espacios en los que podrían ocultarse mercancías, pueden ser fijados a las puertas de dicho contenedor por medio de los sistemas siguientes :

i) Pernos o tornillos colocados desde el exterior pero que no reúnan los demás requisitos establecidos en el apartado a) de la Nota explicativa 4.2.1 a)-1, a condición :

de que la puntas de los pernos o tornillos queden fijadas en una placa perforada o en un dispositivo semejante montado detrás del panel o los paneles exteriores de la puerta, y

de que las cabezas de un número adecuado de esos pernos o tornillos estén soldadas al dispositivo para la colocación del precinto aduanero, a las bisagras, etc., de tal manera que estén completamente deformadas y que no puedan retirarse esos pernos o tornillos sin dejar huellas visibles (véase el croquis n° 8 adjunto al presente anexo).

ii) Un dispositivo de fijación que se coloque desde el interior de la puerta aislada, a condición :

de que la clavija de fijación y el collar de sujeción del dispositivo se monten con una herramienta neumática o hidráulica y se fijen detrás de una placa o dispositivo semejante montado entre el panel exterior de la puerta y el aislamiento; y

de que la cabeza de la clavija de fijación no sea accesible desde el interior del contenedor; y

de que un número suficiente de collares de sujeción y clavijas de fijación estén soldados entre sí y que no puedan retirarse los dispositivos sin dejar huellas visibles (véase el croquis n° 8 adjunto al presente anexo).

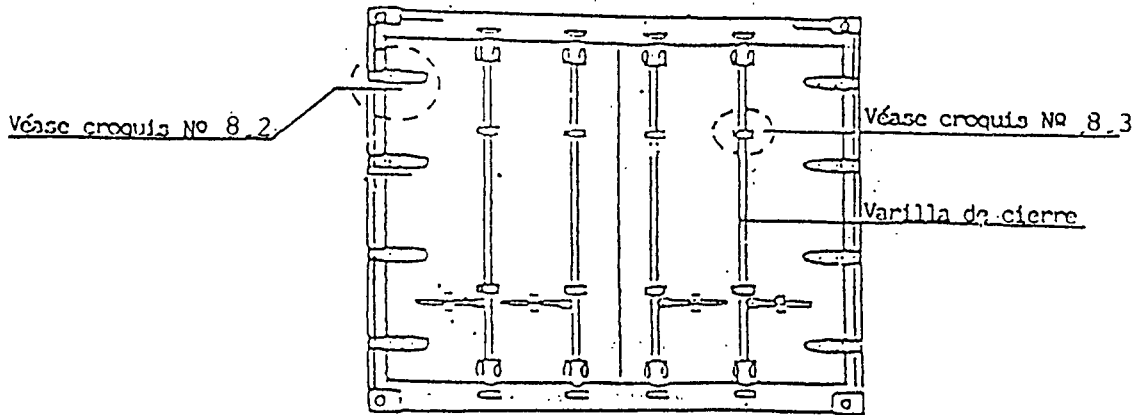
Se entiende que el término "contenedor aislado" incluye los contenedores refrigerados e isoterms."

Insértese después del croquis n° 7 el croquis n° 8 reproducido a continuación.

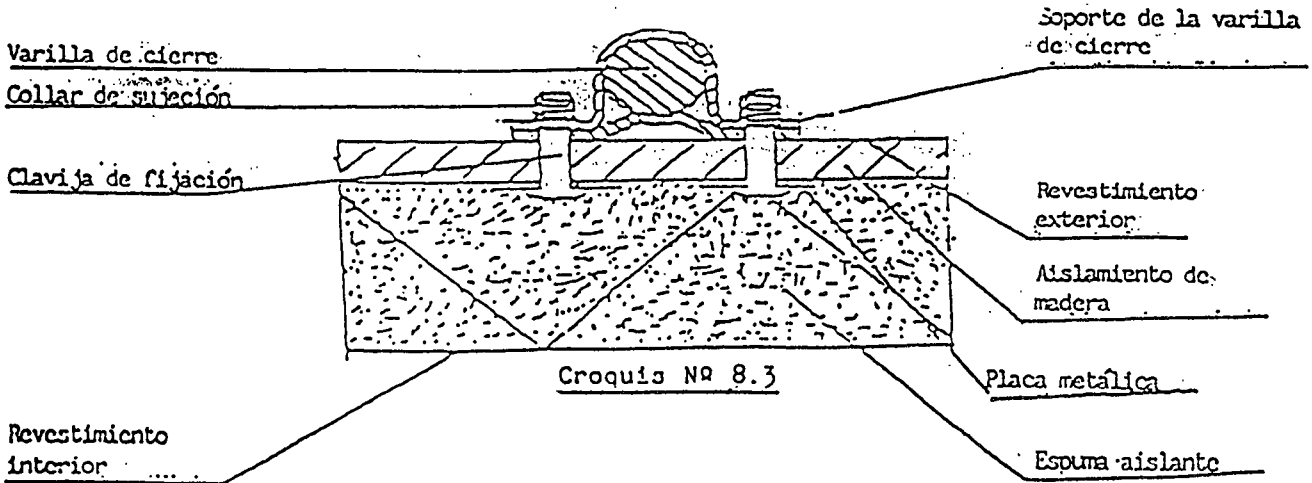
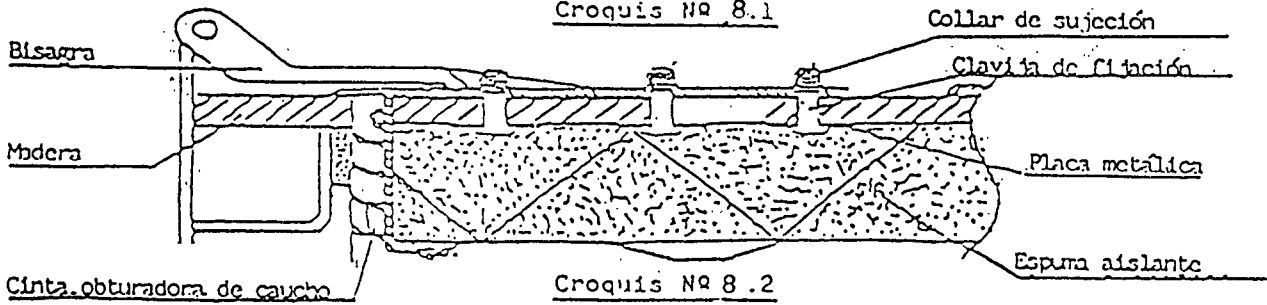


Croquis Nº 8

Ejemplo de dispositivo de fijación colocado desde el interior de la puerta aislada  
Vista posterior de la puerta



Croquis Nº 8.1



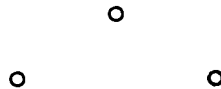
ENMIENDA 11

Anexo 6, Nota explicativa 4.2.1 c)-1, apartado b)

Reemplácese el texto existente por el siguiente :

"b) Las aberturas que permitan el acceso directo al contenedor deberán obturarse :

- i) mediante una tela metálica o una placa metálica perforada (dimensión máxima de los agujeros : 3 mm en ambos casos) y estarán protegida por una celosía metálica soldada (dimensión máxima de los claros : 10 mm); o
- ii) mediante una única placa metálica perforada de solidez suficiente (dimensión máxima de los agujeros : 3 mm; espesor de la placa : como mínimo 1 mm)."



ENMIENDA 12

Anexo 6, Nota explicativa 4.2.1 c)-1, apartado c)

Sustitúyase el texto existente por el siguiente :

"c) Las aberturas que no permitan el acceso directo al contenedor (por ejemplo, gracias a sistemas de conductos acodados o contrapuertas) deberán ir provistas de los dispositivos mencionados en el apartado b), pero los agujeros o claros podrán tener una dimensión máxima de 10 mm (para la tela metálica o la placa metálica) y 20 mm (para la celosía metálica)."

o

o

o

ENMIENDA 13\*

Anexo 6, Nota explicativa 4.4.7.1

Sustitúyanse el texto existente y el título que lo precede por los siguientes :

Párrafo 8 - Distancias entre las anillas y entre los ojales

4.4.8.-1 Las distancias que excedan de 200 mm pero no excedan de 300 mm pueden admitirse a lo largo de los montantes si las anillas están empotradas en los costados y si los ojales son ovales y tan pequeños que sólo pueden pasar justo por las anillas.

Anexo 6, Nota explicativa 4.4.8.-1

Cámbiese el número de esta Nota explicativa a 4.4.9.-1 y sustitúyase en su título "Párrafo 8" por "Párrafo 9".

Anexo 6, Nota explicativa 4.4.10. a)-1

Cámbiese el número de esta Nota explicativa a 4.4.11.a)-1 y sustitúyase en su título "Párrafo 10 a)" por "Párrafo 11.a) i)".

Anexo 6, Nota explicativa 4.4.10.c)-1

Cámbiese el número de esta Nota explicativa a 4.4.11.a) iii)-1 y sustitúyase en su título "Párrafo 10.c)" por "Párrafo 11.a) iii)".

Anexo 6, Nota explicativa 4.4.10.c)-2

Cámbiese el número de esta Nota explicativa a 4.4.11.a) iii)-1 y sustitúyase en su título "Párrafo 10" por "Párrafo 11.a)".

Anexo 6, croquis n° 3

Sustitúyase en la explicación de este croquis "párrafo 10" por "párrafo 11.a)".

x

x

x

\* Traducción del CCA.